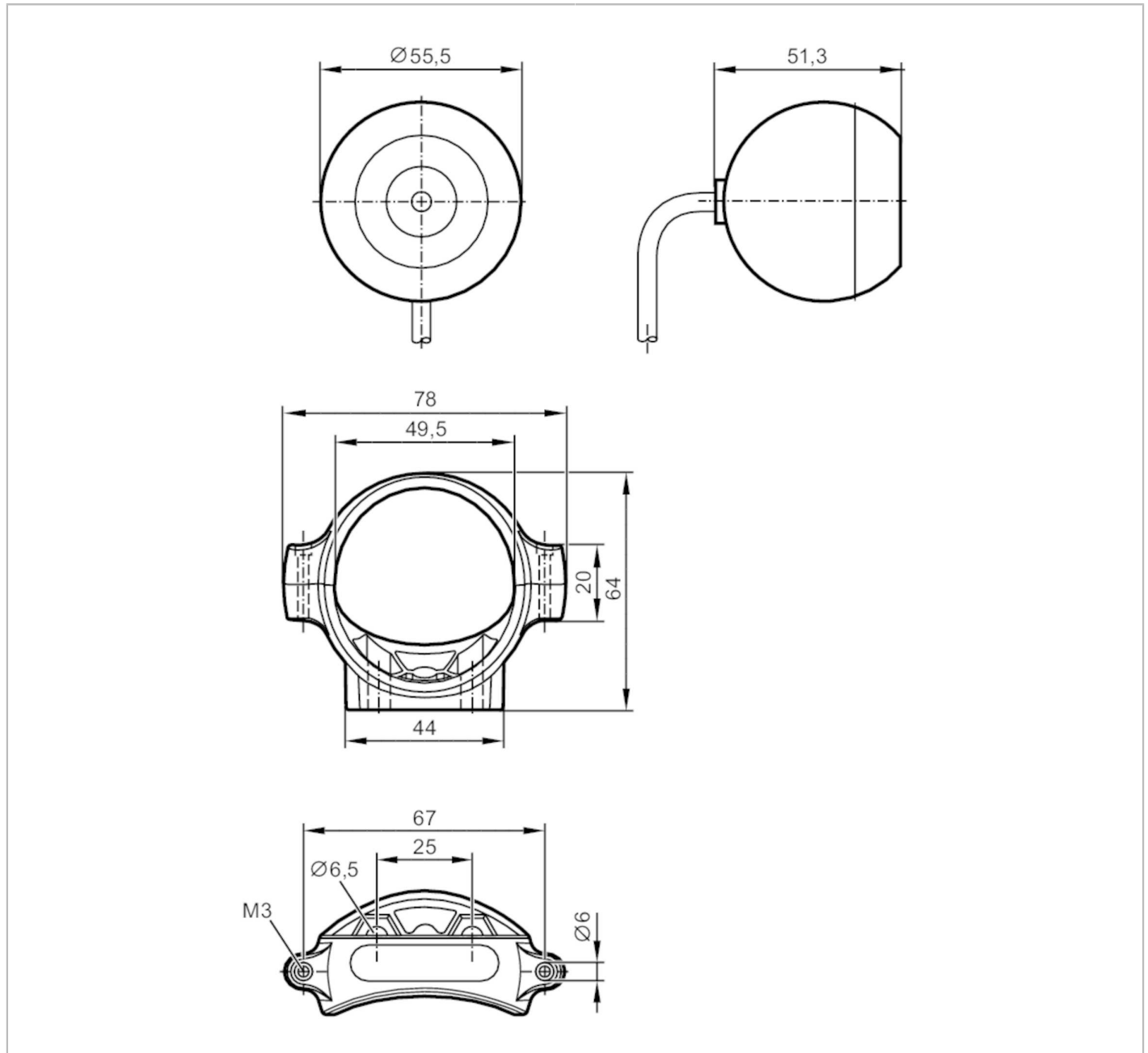


# O2M200



## Analog camera for mobile machines

O2MXOOKG/A1/GM/78



### Product characteristics

Image resolution	[px]	640 x 480
Angle of aperture	[°]	80 x 59

### Application

System	screened cable
--------	----------------

### Electrical data

Operating voltage	[V]	12...32 DC
Current consumption	[mA]	< 280; (with lens heating)
Overtoltage protection		yes
Image sensor		¼" 4:3 VGA CMOS image sensor color

# O2M200



## Analog camera for mobile machines

O2MXOOKG/A1/GM/78

Switch-on peak current	[mA]	1000
Switch-on peak current duration	[ms]	2

### Outputs

Video output	PAL (25 fps interlace) 720H x 576V (640 x 480), 1 Vtt / 75 Ω
--------------	--

### Monitoring range

Field of view size	[mm]	Operating distance	Field of view		
		1000	1680 x 1130		
		2000	3360 x 2260		
		3000	5030 x 3390		
		4000	6710 x 4530		
		5000	8390 x 5660		
Image resolution	[px]	640 x 480			
Angle of aperture	[°]	80 x 59			
Light sensitivity	[LUX]	< 0.05			
Dynamic range	[dB]	> 80			

### Operating conditions

Ambient temperature	[°C]	-40...85
Storage temperature	[°C]	-40...100
Protection		IP 67; IP 69K

### Tests / approvals

EMC	DIN EN 61000-6-4	industrial environments
	DIN EN 61000-6-2	industrial environments
	UN-ECE R10	
Shock resistance		50 g
Vibration resistance	Frequency range 24...2000 Hz	(15.3 x 9.81 m/s <sup>2</sup> )rms
	PSD (g <sup>2</sup> /Hz)	0.04...0.1
Salt spray test	IEC 60068-5-52	

### Mechanical data

Weight	[g]	311
Dimensions	[mm]	Ø 55.5 / L = 51.3
Material		housing: PC/ABS; front lens: polyamide reinforced glass-fiber

### Accessories

Items supplied	Mounting set., E2M210
	screws: 2 x M6 x 20
	washers
	Nuts: 2 x M6, self-locking
	anti-slide pad

### Remarks

Pack quantity	1 pcs.
---------------	--------

# O2M200



## Analog camera for mobile machines

O2MXOOKG/A1/GM/78

### Electrical connection

Cable: 0.5 m, screened

Connector: 1 x M16; coding: A; Shielded connection cable: shield connected



1	coax cable core video signal
2	coax screen video GND
3	U+
4	0 V