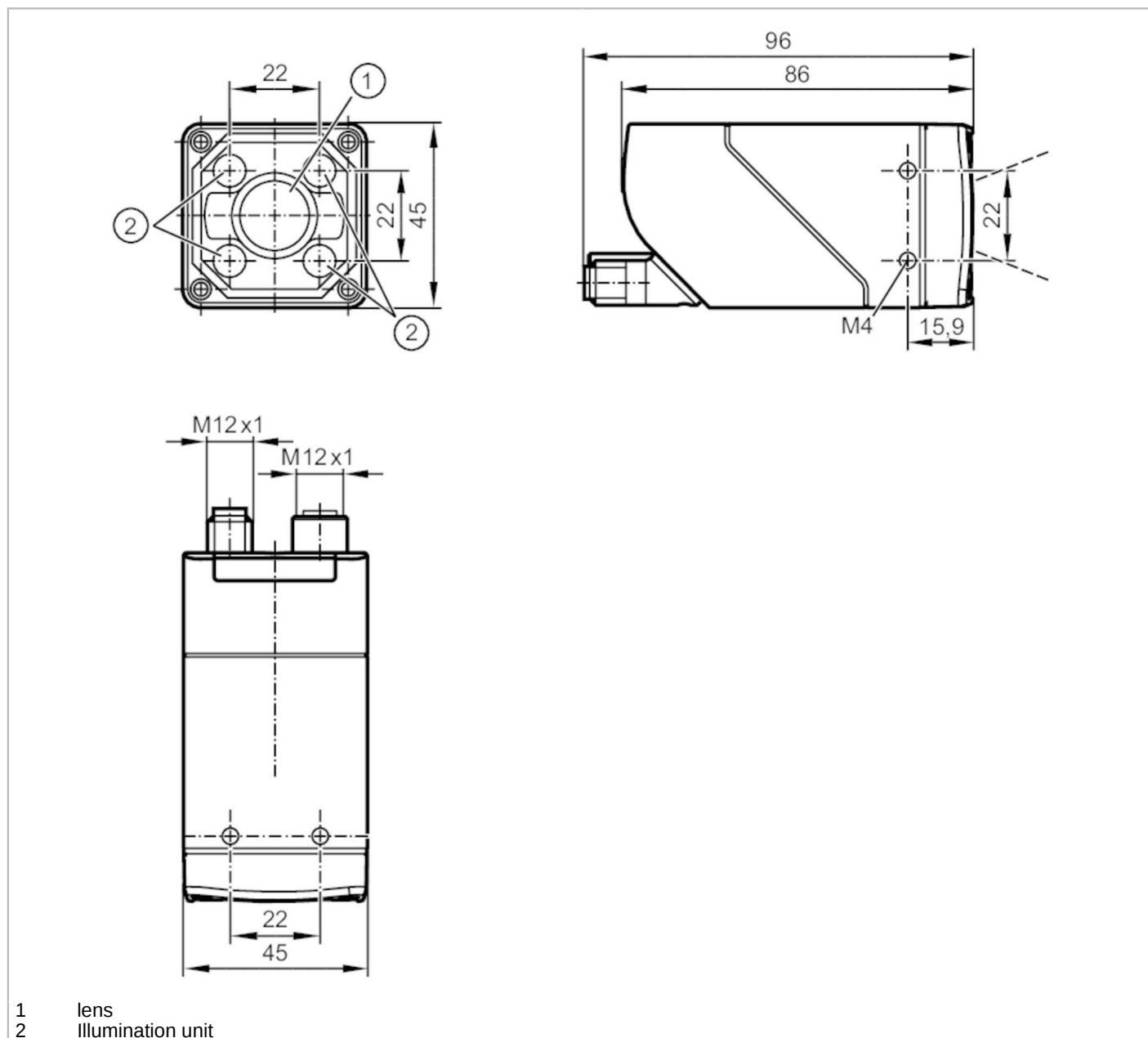


O2I414



1D / 2D code readers

O2IRRDKG/E1/IO/EF/TB/T



- 1 lens
- 2 illumination unit



| Product characteristics | | |
|-----------------------------|------|---------------------|
| Type of light | | red light |
| Image resolution | [px] | 1280 x 960 |
| Max. reading rate | [Hz] | 40 |
| Application | | |
| System | | polarization filter |
| Electrical data | | |
| Operating voltage | [V] | 18...30 DC |
| Current consumption | [mA] | < 500; (24V DC) |
| Protection class | | III |
| Reverse polarity protection | | yes |

O2I414



1D / 2D code readers

O2IRRDKG/E1/I/O/EF/TB/T

| | | | |
|---|--|---------------|------------------|
| Type of light | red light | | |
| Wave length [nm] | 617 | | |
| Image sensor | CMOS image sensor black/white | | |
| Inputs / outputs | | | |
| Number of inputs and outputs | Number of digital inputs: 1; Number of digital outputs: 2 | | |
| Inputs | | | |
| Trigger | external; 24 V PNP/NPN (IEC 61131-2 Typ 3); EtherNet/IP; internal | | |
| Number of digital inputs | 1 | | |
| Outputs | | | |
| Total number of outputs | 2 | | |
| Number of digital outputs | 2; (configurable) | | |
| Output function | 24 V PNP/NPN | | |
| Max. voltage drop switching output DC [V] | 2 | | |
| Max. current load per output [mA] | 100 | | |
| Short-circuit protection | yes | | |
| Type of short-circuit protection | yes (non-latching) | | |
| Overload protection | yes | | |
| Monitoring range | | | |
| Field of view size [mm] | Operating distance | Field of view | |
| | 200 | 38 x 29 | |
| | 300 | 58 x 43 | |
| | 500 | 96 x 72 | |
| | 1000 | 192 x 144 | |
| | 1500 | 288 x 216 | |
| | 2000 | 384 x 288 | |
| Operating distance [mm] | > 200 | | |
| Image resolution [px] | 1280 x 960 | | |
| Lens type | Telephoto lens | | |
| Readable codes | Interleaved 2-of-5; Industrial 2-of-5; Code 39; Code 93; Code 128; Pharmacode; Codabar; EAN8; EAN8 Add-On 2; EAN8 Add-On 5; EAN13; EAN13 Add-On 2; EAN13 Add-On 5; UPC-A; UPC-A Add-On 2; UPC-A Add-On 5; UPC-E; UPC-E Add-On 2; UPC-E Add-On 5; GS1 DataBar Omnidirectional; GS1 DataBar Truncated; GS1 DataBar Stacked; GS1 DataBar Stacked Omnidirectional; GS1 DataBar Limited; GS1 DataBar Expanded; GS1 DataBar Expanded Stacked; GS1 - 128; MSI Barcode; ECC200; PDF-417; QR; Micro-QR; Aztec Code; GS1 ECC200; GS1 QR Code; GS1 Aztec Code | | |
| Code quality based on | | | ISO / IEC 15415 |
| | | | ISO / IEC 15416 |
| | | | AIM DPM |
| | | | ISO/IEC TR 29158 |
| | | | SEMI T10 |
| Legible fonts | Industrial; Document; OCR-A; OCR-B; Pharma; Semi; Universal; Dot Print | | |
| Polarization filter available | yes | | |
| Omnidirectional reading | yes | | |
| Max. inclination to the image plane [°] | 45 | | |
| Max. reading rate [Hz] | 40 | | |

O2I414



1D / 2D code readers

O2IRRDKG/E1/IO/EF/TB/T

| Software / programming | | |
|-------------------------------|---|--|
| Parameter setting options | teach button; via PC with ifm Vision Assistant | |
| Interfaces | | |
| Communication interface | IO-Link | |
| Transmission type | COM3 (230,4 kBaud) | |
| IO-Link revision | 1.1 | |
| Supported DeviceIDs | Type of operation | DeviceID |
| | default | 1699 |
| Ethernet | | |
| Number of Ethernet interfaces | 1 | |
| Transmission standard | 10Base-T; 100Base-TX | |
| Transmission rate | 10 MBit/s; 100 MBit/s | |
| Protocol | TCP/IP | |
| Factory settings | IP address: 192.168.0.69 | |
| | subnet mask: 255.255.255.0 (Class C) | |
| | gateway IP address: 192.168.0.201 | |
| | MAC address: see type label | |
| Usage type | Parameter setting | |
| Operating conditions | | |
| Ambient temperature | [°C] | -10...50 |
| Storage temperature | [°C] | -40...70 |
| Protection | IP 65 | |
| Tests / approvals | | |
| EMC | EN 61000-6-4 radiation of interference | industrial environments |
| | EN IEC 61000-6-2 noise immunity | industrial environments |
| Shock resistance | EN 60068-2-27 | 50 g 11 ms / not repetitive |
| | EN 60068-2-27 | 40 g 6 ms / repetitive |
| Vibration resistance | EN 60068-2-6 | 2 g (10 ... 150 Hz) |
| Photobiological safety | exempt group; (EN 62471) | |
| Electrical safety | EN 61010-2-201 | electrical supply only via PELV circuits |
| Mechanical data | | |
| Weight | [g] | 596.8 |
| Dimensions | [mm] | 45 x 45 x 86 |
| Material | housing: diecast zinc powder-coated; front lens: PMMA; LED window: PC; pushbuttons: POM | |
| Sealing material | FKM | |
| Displays / operating elements | | |
| Display | Function | 2 x LED, green |
| | Function | 2 x LED, yellow |
| | Teach-Funktion | 1 x LED, green |
| | Teach-Funktion | 1 x LED, yellow |
| Operating elements | 1 x | Teach-Taste |

O2I414



1D / 2D code readers

O2IRRDKG/E1/IO/EF/TB/T

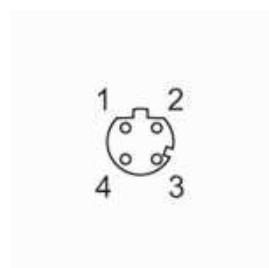
| Accessories | |
|------------------------|-------------------------------|
| Accessories (optional) | Operating software |
| | Mounting accessories |
| | Adapter cable |
| | protective and filter windows |

| Remarks | |
|---------------|--------|
| Pack quantity | 1 pcs. |

Electrical connection

Electrical connection - Ethernet

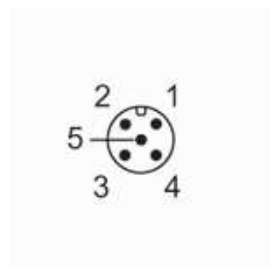
Connector: 1 x M12; coding: D; Moulded body: stainless steel; sealing: FKM



- 1 TxD+
- 2 RxD+
- 3 TxD-
- 4 RxD-

Electrical connection - supply

Connector: 1 x M12; coding: A; Moulded body: stainless steel



- 1 U+
- 2 trigger input
- 3 0 V
- 4 Switching output 1 configurable / IO-Link
- 5 Switching output 2 configurable / trigger output with external illumination