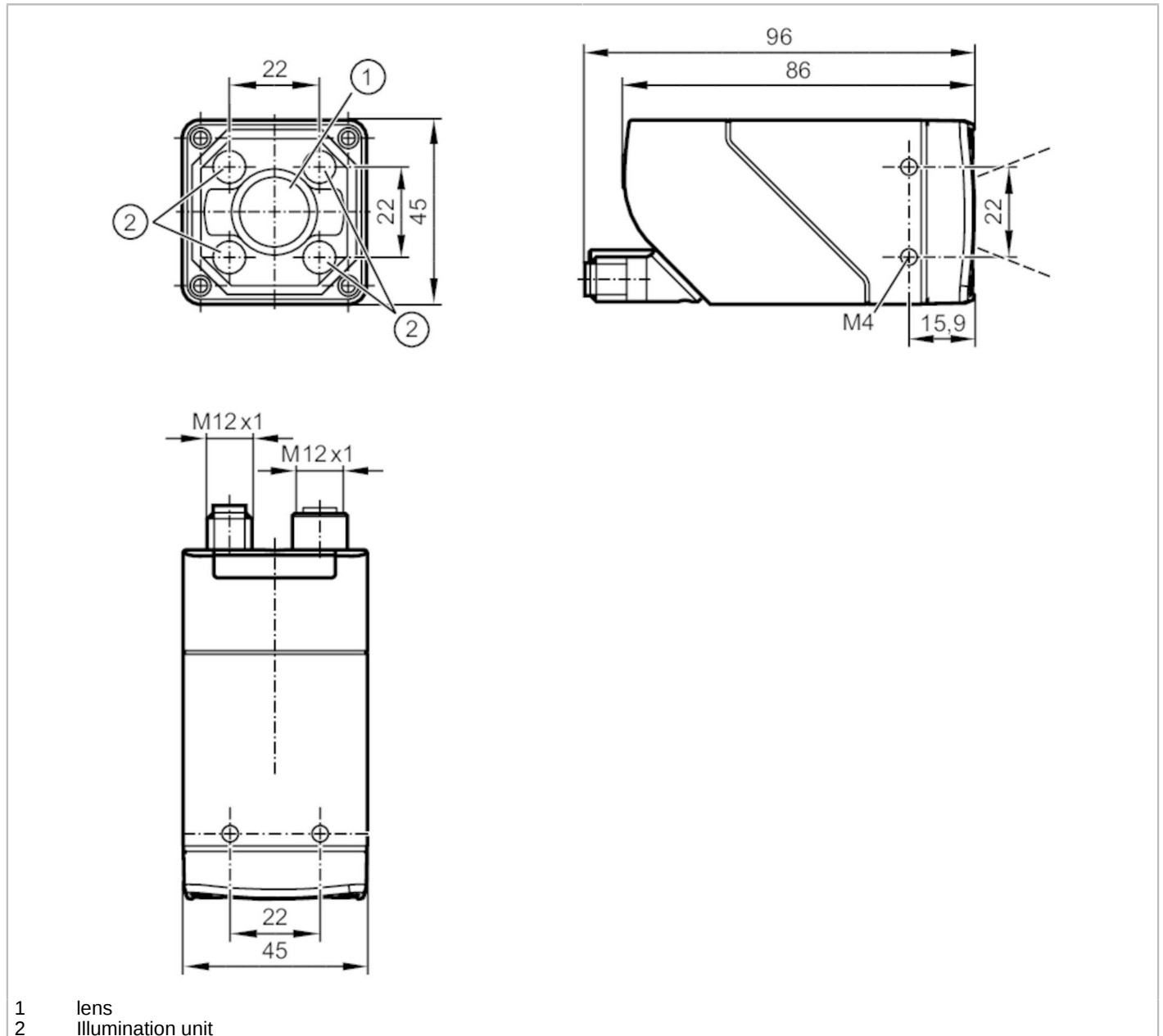


O2I404



1D / 2D code readers

O2ICRDKG/E1/IO/EF/TB/T



- 1 lens
- 2 illumination unit



Product characteristics		
Type of light		RGBW
Image resolution	[px]	1280 x 960
Max. reading rate	[Hz]	40
Application		
System		polarization filter
Electrical data		
Operating voltage	[V]	18...30 DC
Current consumption	[mA]	< 500; (24V DC)
Protection class		III
Reverse polarity protection		yes

O2I404



1D / 2D code readers

O2ICRDKG/E1/I/O/EF/TB/T

Type of light	RGBW
Wave length [nm]	625; 525; 453
Image sensor	CMOS image sensor black/white

Inputs / outputs

Number of inputs and outputs	Number of digital inputs: 1; Number of digital outputs: 2
------------------------------	---

Inputs

Trigger	external; 24 V PNP/NPN (IEC 61131-2 Typ 3); EtherNet/IP; internal
Number of digital inputs	1

Outputs

Total number of outputs	2
Number of digital outputs	2; (configurable)
Output function	24 V PNP/NPN
Max. voltage drop switching output DC [V]	2
Max. current load per output [mA]	100
Short-circuit protection	yes
Type of short-circuit protection	yes (non-latching)
Overload protection	yes

Monitoring range

Field of view size [mm]	Operating distance	Field of view		
	200	38 x 29		
	300	58 x 43		
	500	96 x 72		
	1000	192 x 144		
	1500	288 x 216		
	2000	384 x 288		
Operating distance [mm]	> 200			
Image resolution [px]	1280 x 960			
Lens type	Telephoto lens			
Readable codes	Interleaved 2-of-5; Industrial 2-of-5; Code 39; Code 93; Code 128; Pharmacode; Codabar; EAN8; EAN8 Add-On 2; EAN8 Add-On 5; EAN13; EAN13 Add-On 2; EAN13 Add-On 5; UPC-A; UPC-A Add-On 2; UPC-A Add-On 5; UPC-E; UPC-E Add-On 2; UPC-E Add-On 5; GS1 DataBar Omnidirectional; GS1 DataBar Truncated; GS1 DataBar Stacked; GS1 DataBar Stacked Omnidirectional; GS1 DataBar Limited; GS1 DataBar Expanded; GS1 DataBar Expanded Stacked; GS1 - 128; MSI Barcode; ECC200; PDF-417; QR; Micro-QR; Aztec Code; GS1 ECC200; GS1 QR Code; GS1 Aztec Code			
Code quality based on				ISO / IEC 15415
				ISO / IEC 15416
				AIM DPM
				ISO/IEC TR 29158
				SEMI T10
Legible fonts	Industrial; Document; OCR-A; OCR-B; Pharma; Semi; Universal; Dot Print			
Polarization filter available	yes			
Omnidirectional reading	yes			
Max. inclination to the image plane [°]	45			
Max. reading rate [Hz]	40			

O2I404



1D / 2D code readers

O2ICRDKG/E1/IO/EF/TB/T

Software / programming		
Parameter setting options	teach button; via PC with ifm Vision Assistant	
Interfaces		
Communication interface	IO-Link	
Transmission type	COM3 (230,4 kBaud)	
IO-Link revision	1.1	
Supported DeviceIDs	Type of operation	DeviceID
	default	1699
Ethernet		
Number of Ethernet interfaces	1	
Transmission standard	10Base-T; 100Base-TX	
Transmission rate	10 MBit/s; 100 MBit/s	
Protocol	TCP/IP	
Factory settings	IP address: 192.168.0.69	
	subnet mask: 255.255.255.0 (Class C)	
	gateway IP address: 192.168.0.201	
	MAC address: see type label	
Usage type	Parameter setting	
Operating conditions		
Ambient temperature	[°C]	-10...50
Storage temperature	[°C]	-40...70
Protection	IP 65	
Tests / approvals		
EMC	EN 61000-6-4 radiation of interference	industrial environments
	EN IEC 61000-6-2 noise immunity	industrial environments
Shock resistance	EN 60068-2-27	50 g 11 ms / not repetitive
	EN 60068-2-27	40 g 6 ms / repetitive
Vibration resistance	EN 60068-2-6	2 g (10 ... 150 Hz)
Photobiological safety	risk group 2; (EN 62471)	
Electrical safety	EN 61010-2-201	electrical supply only via PELV circuits
Mechanical data		
Weight	[g]	597
Dimensions	[mm]	45 x 45 x 86
Material	housing: diecast zinc powder-coated; front lens: PMMA; LED window: PC; pushbuttons: POM	
Sealing material	FKM	
Displays / operating elements		
Display	Function	2 x LED, green
	Function	2 x LED, yellow
	Teach-Funktion	1 x LED, green
	Teach-Funktion	1 x LED, yellow
Operating elements	1 x	Teach-Taste

O2I404



1D / 2D code readers

O2ICRDKG/E1/IO/EF/TB/T

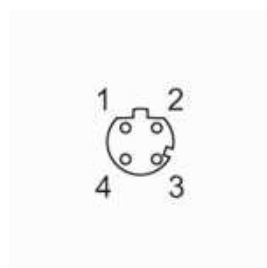
Accessories	
Accessories (optional)	Operating software
	Mounting accessories
	Adapter cable
	protective and filter windows

Remarks	
Pack quantity	1 pcs.

Electrical connection

Electrical connection - Ethernet

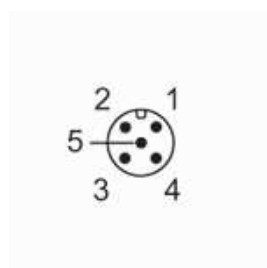
Connector: 1 x M12; coding: D; Moulded body: stainless steel; sealing: FKM



- | | |
|---|------|
| 1 | TxD+ |
| 2 | RxD+ |
| 3 | TxD- |
| 4 | RxD- |

Electrical connection - supply

Connector: 1 x M12; coding: A; Moulded body: stainless steel



- | | |
|---|--|
| 1 | U+ |
| 2 | trigger input |
| 3 | 0 V |
| 4 | Switching output 1 configurable / IO-Link |
| 5 | Switching output 2 configurable /
trigger output with external illumination |