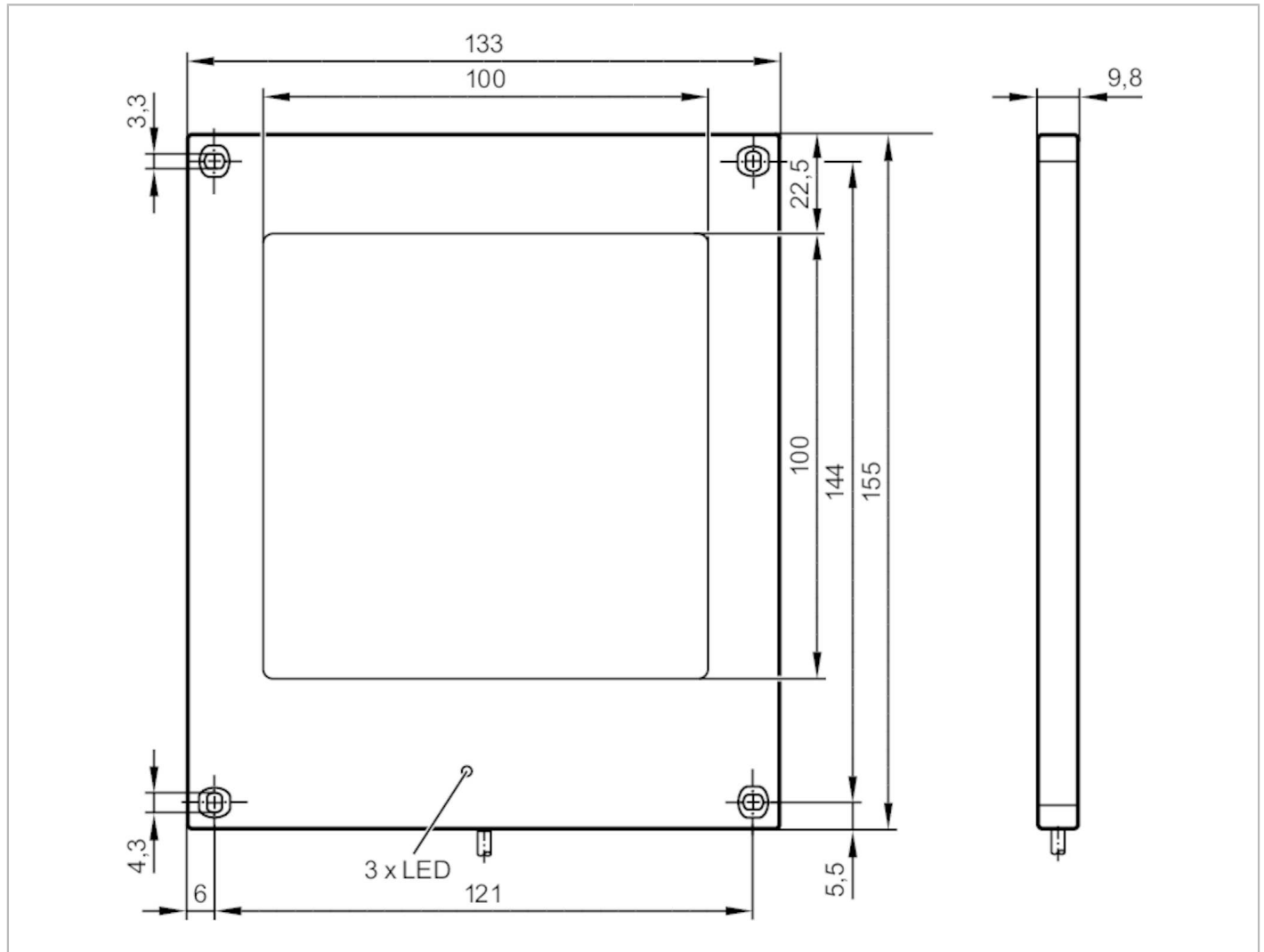


# O2D945



## External illumination

BACKLIGHT 100X100 IR/0,3M/US



### Product characteristics

Type of light	Infrared light
---------------	----------------

### Application

System	gold-plated contacts
Illuminated field [mm]	100 x 100
Design	backlight
Type of operation	Permanent light or pulse operation

### Electrical data


Operating voltage tolerance [%]	-10...10
Operating voltage [V]	24 DC
Current consumption [mA]	< 620
Protection class	III
Reverse polarity protection	yes
Type of light	Infrared light
Wave length [nm]	875

# O2D945



## External illumination

BACKLIGHT 100X100 IR/0,3M/US

Inputs		
Trigger		5...24 V
Outputs		
Overload protection		yes
Operating conditions		
Ambient temperature	[°C]	-10...50
Protection		IP 54
Overheat protection		yes; (> 50 °C)
Tests / approvals		
Photobiological safety		exempt group; (EN 62471)
MTTF	[years]	293
Mechanical data		
Weight	[g]	448.4
Dimensions	[mm]	155 x 133 x 9.8
Material		aluminum
Lens material		glass
Displays / operating elements		
Display	Illumination status	1 x LED, yellow
	Power	1 x LED, green
	Excess temperature / overload	1 x LED, red
Remarks		
Pack quantity		1 pcs.
Electrical connection		
Cable: 0.3 m, PUR		
Connector: 1 x M12; coding: A; Contacts: gold-plated		
		

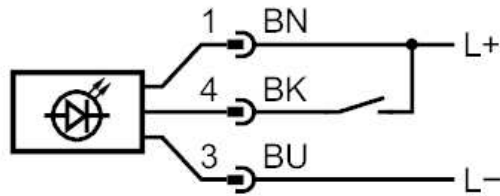
# O2D945



## External illumination

BACKLIGHT 100X100 IR/0,3M/US

### Connection



- 1 L +
- 3 L -
- 4 Trigger

Core colors :  
BK = black  
BN = brown  
BU = blue