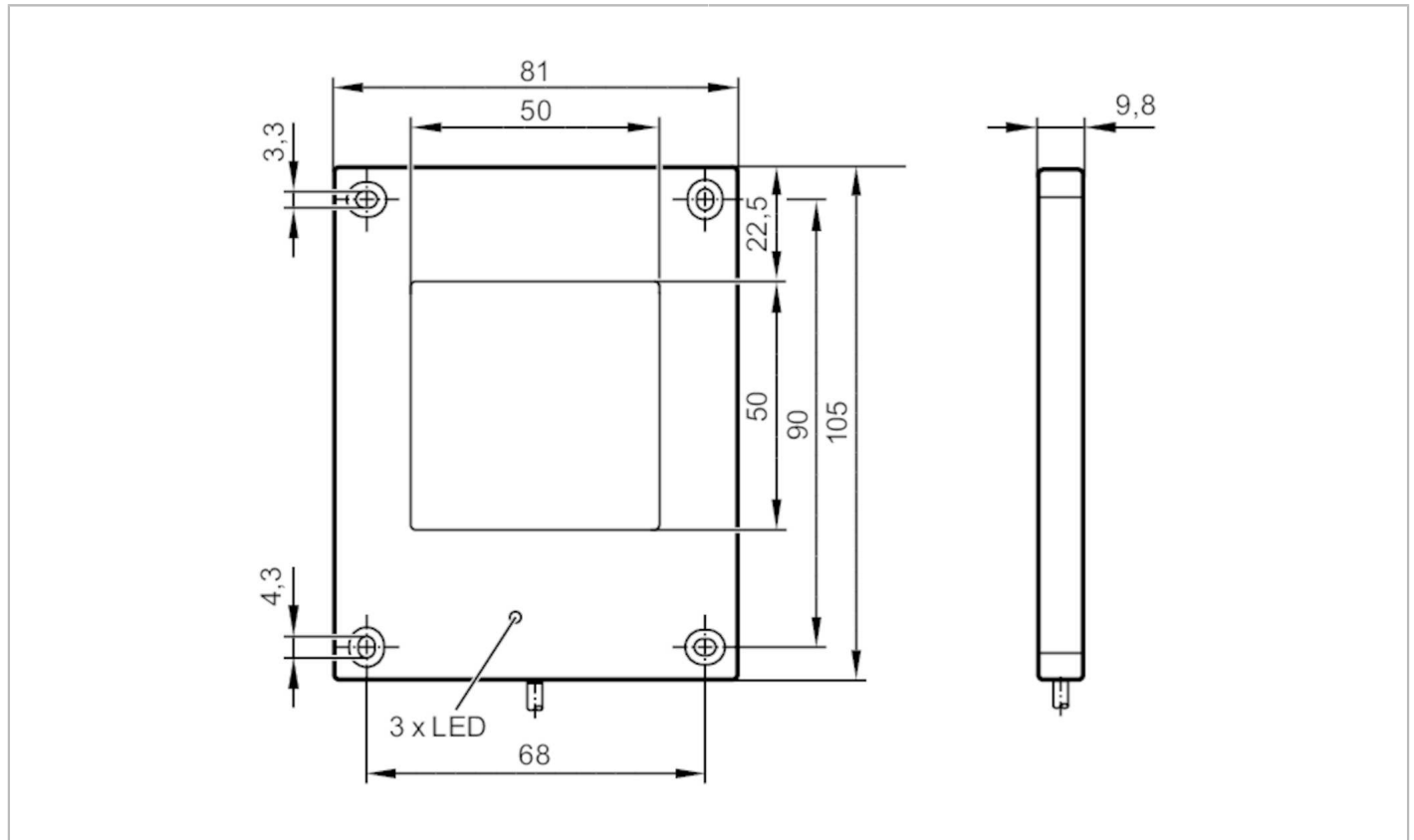


O2D943



External illumination

BACKLIGHT 50X50 IR/0,3M/US



Product characteristics

Type of light	Infrared light
---------------	----------------

Application

System	gold-plated contacts
Illuminated field [mm]	50 x 50
Design	backlight
Type of operation	Permanent light or pulse operation

Electrical data

Operating voltage tolerance [%]	-10...10
Operating voltage [V]	24 DC
Current consumption [mA]	< 325
Protection class	III
Reverse polarity protection	yes
Type of light	Infrared light
Wave length [nm]	875

Inputs

Trigger	5...24 V
---------	----------

Operating conditions

Ambient temperature [°C]	-10...50
Protection	IP 54

O2D943



External illumination

BACKLIGHT 50X50 IR/0,3M/US

Overheat protection	yes; (> 50 °C)
---------------------	----------------

Tests / approvals

Photobiological safety	exempt group; (EN 62471)
MTTF [years]	309

Mechanical data

Weight [g]	264.4
Dimensions [mm]	105 x 81 x 9.8
Material	aluminum
Lens material	glass

Displays / operating elements

Display	Illumination status	1 x LED, yellow
	Power	1 x LED, green
	Excess temperature / overload	1 x LED, red

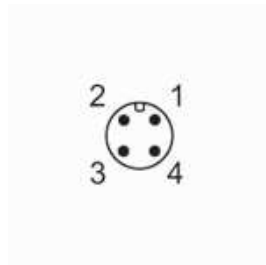
Remarks

Pack quantity	1 pcs.
---------------	--------

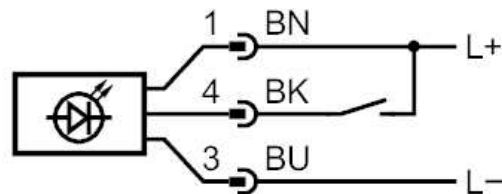
Electrical connection

Cable: 0.30 m, PUR

Connector: 1 x M12; coding: A; Contacts: gold-plated



Connection



- 1 L +
- 3 L -
- 4 Trigger

- Core colors :
- BK = black
 - BN = brown
 - BU = blue