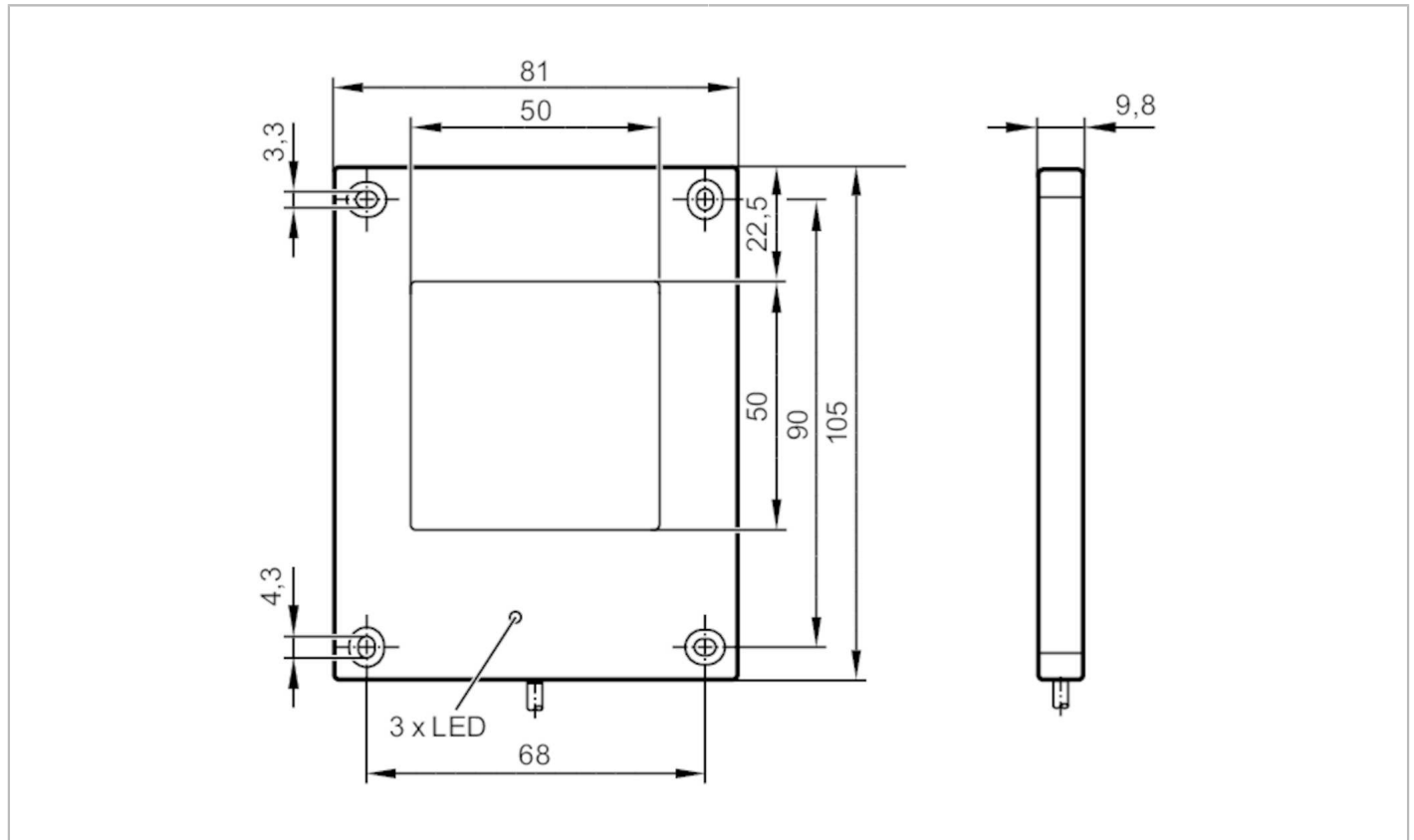




External illumination

BACKLIGHT 50X50 RT/0,3M/US



Product characteristics

Type of light red light

Application

System gold-plated contacts

Illuminated field [mm] 50 x 50

Design backlight

Type of operation Permanent light or pulse operation

Electrical data

Operating voltage tolerance [%] -10...10

Operating voltage [V] 24 DC

Current consumption [mA] < 205

Protection class III

Reverse polarity protection yes

Type of light red light

Wave length [nm] 617

Inputs

Trigger 5...24 V

Operating conditions

Ambient temperature [°C] -10...50

Protection IP 54

O2D942



External illumination

BACKLIGHT 50X50 RT/0,3M/US

Overheat protection	yes; (> 50 °C)
---------------------	----------------

Tests / approvals

Photobiological safety	exempt group; (EN 62471)
MTTF [years]	308

Mechanical data

Weight [g]	264.4
Dimensions [mm]	105 x 81 x 9.8
Material	aluminum
Lens material	glass

Displays / operating elements

Display	Illumination status	1 x LED, yellow
	Power	1 x LED, green
	Excess temperature / overload	1 x LED, red

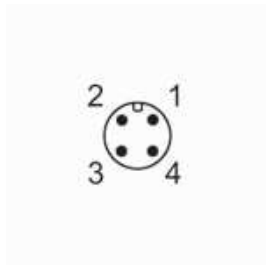
Remarks

Pack quantity	1 pcs.
---------------	--------

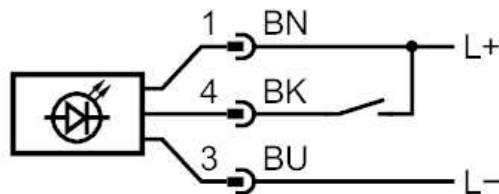
Electrical connection

Cable: 0.30 m, PUR

Connector: 1 x M12; coding: A; Contacts: gold-plated



Connection



- 1 L +
- 3 L -
- 4 Trigger

- Core colors :
- BK = black
 - BN = brown
 - BU = blue