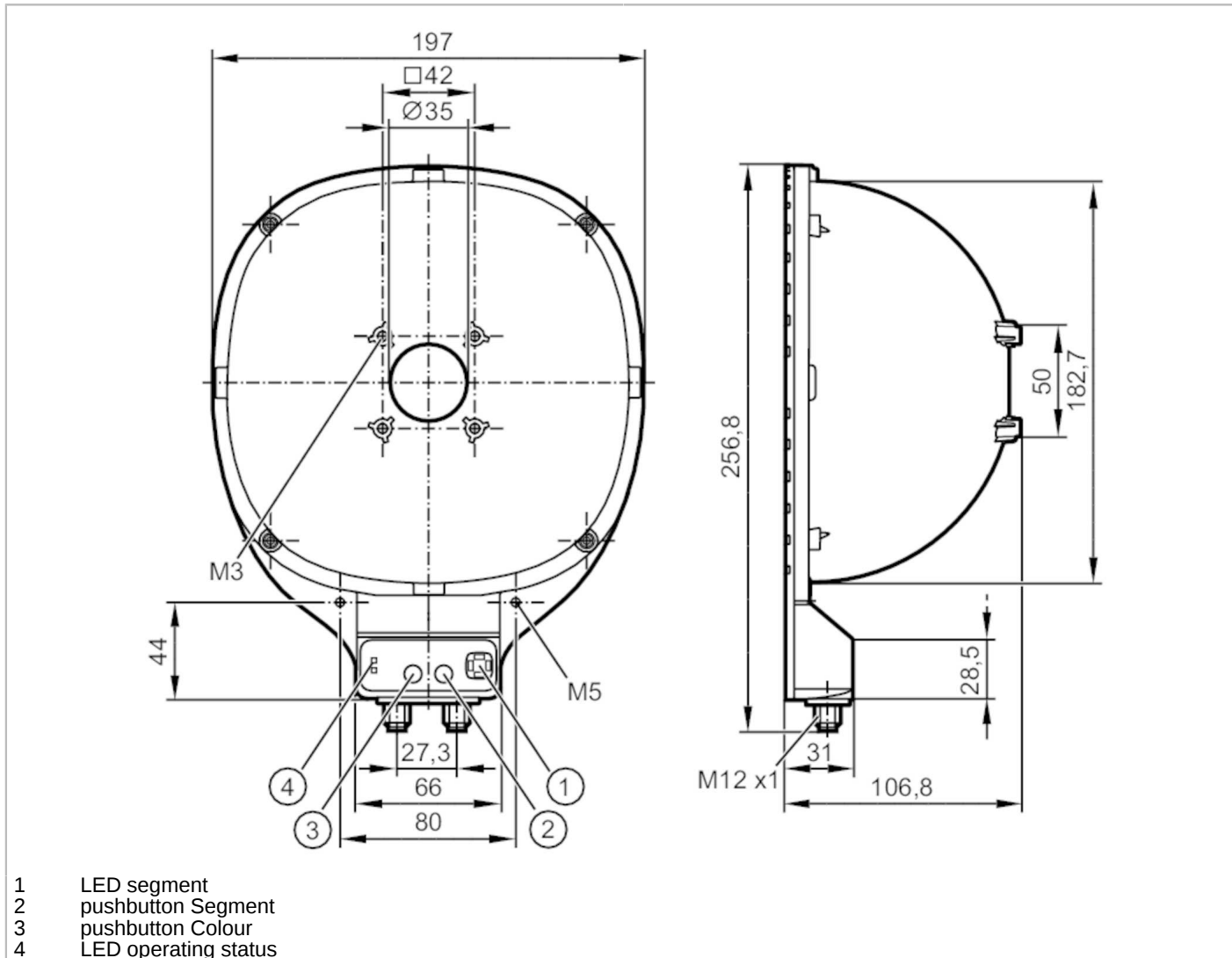


O2D932



External illumination

Dome Light 130 WH IR/ US



Product characteristics	
Type of light	White light; Infrared light
Application	
Illuminated field [mm]	130 x 130
Design	Dome
Type of operation	normal light intensity (permanent operation possible); High light intensity (pulsed)
Electrical data	
Operating voltage [V]	24 DC
Current consumption [mA]	Operating mode "permanent operation": 540; operating mode "high light intensity": 2580
Protection class	III; (PELV)
Type of light	White light; Infrared light
Inputs / outputs	
Number of inputs and outputs	Number of digital inputs: 1
Inputs	
Trigger	24 V PNP/NPN; external



External illumination

Dome Light 130 WH IR/ US

Number of digital inputs	1
--------------------------	---

Operating conditions

Ambient temperature	[°C]	-10...40
Storage temperature	[°C]	-20...60
Protection		IP 65

Tests / approvals

Photobiological safety	risk group 1; (DIN EN 62471)
------------------------	------------------------------

Mechanical data

Weight	[g]	1018.15
Dimensions	[mm]	256.8 x 197 x 106.8
Material		housing: aluminum black anodized; Cover: ABS
Tightening torque	[Nm]	0.5...1.5

Displays / operating elements

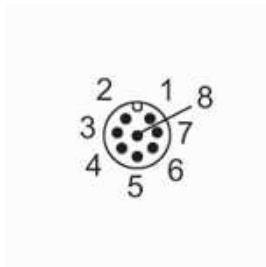
Display	Power	1 x LED, green
	operating mode "high light intensity"	1 x LED, red
	LED segment	1 x LED, white

Remarks

Pack quantity	1 pcs.
---------------	--------

Electrical connection - Parameter setting

Connector: M12; coding: A



- 1: operating mode "high light intensity"
- 2: color 2
- 3: GND
- 4: LED segment 1
- 5: LED segment 2
- 6: LED segment 3
- 7: LED segment 4
- 8: deactivate buttons

O2D932

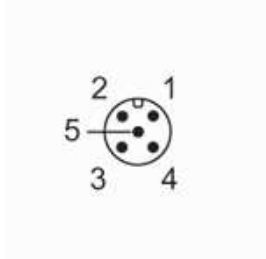


External illumination

Dome Light 130 WH IR/ US

Electrical connection - voltage supply

Connector: M12; coding: A



1:	U+
2:	trigger input NPN
3:	GND
4:	trigger input PNP
5:	dimmer