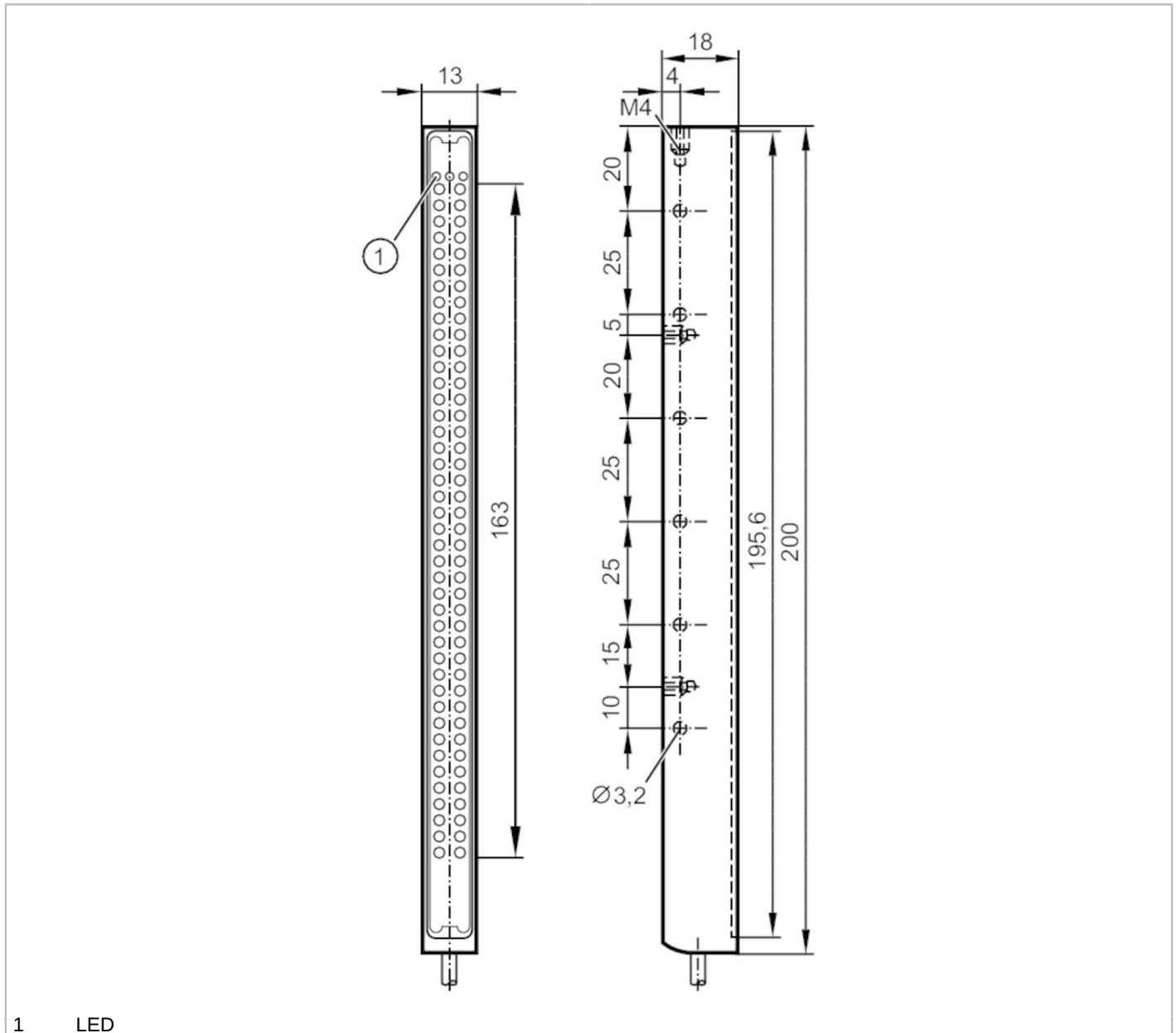


O2D926



External illumination

BAR LIGHT 10x150 W/O,3M/US



1 LED



Product characteristics	
Type of light	White light
Application	
Illuminated field [mm]	10 x 150
Design	bar
Type of operation	high light intensity (pulsed, permanent operation with cooling only); normal light intensity (permanent operation possible)
Electrical data	
Operating voltage [V]	24 DC
Current consumption [mA]	Operating mode "permanent operation": 265; operating mode "high light intensity": 475
Type of light	White light

O2D926



External illumination

BAR LIGHT 10x150 W/0,3M/US

Color temperature	[K]	5600
-------------------	-----	------

Inputs

Trigger		24 V PNP
---------	--	----------

Operating conditions

Ambient temperature	[°C]	-10...55
---------------------	------	----------

Storage temperature	[°C]	-25...75
---------------------	------	----------

Protection		IP 65
------------	--	-------

Overheat protection		yes; (deactivation at 65...75 °C)
---------------------	--	-----------------------------------

Tests / approvals

Photobiological safety		exempt group; (DIN EN 62471:2008)
------------------------	--	-----------------------------------

Mechanical data

Weight	[g]	220.5
--------	-----	-------

Dimensions	[mm]	200 x 13 x 18
------------	------	---------------

Material		aluminum black anodized
----------	--	-------------------------

Lens material		glass
---------------	--	-------

Displays / operating elements

Display	Illumination status	1 x LED, yellow
---------	---------------------	-----------------

	Power	1 x LED, green
--	-------	----------------

	Excess temperature	1 x LED, red
--	--------------------	--------------

Remarks

Pack quantity		1 pcs.
---------------	--	--------

Electrical connection

Cable: 0.3 m, PUR, black; 4 x 0.34 mm²

Connector: 1 x M12; coding: A



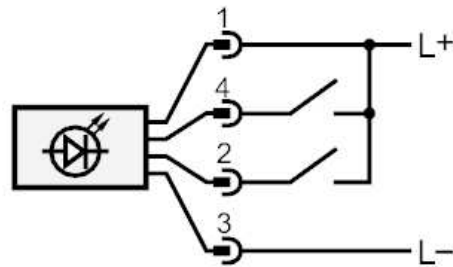
O2D926



External illumination

BAR LIGHT 10x150 W/0,3M/US

Connection



- 4 Trigger
- 2 operating mode "high light intensity"