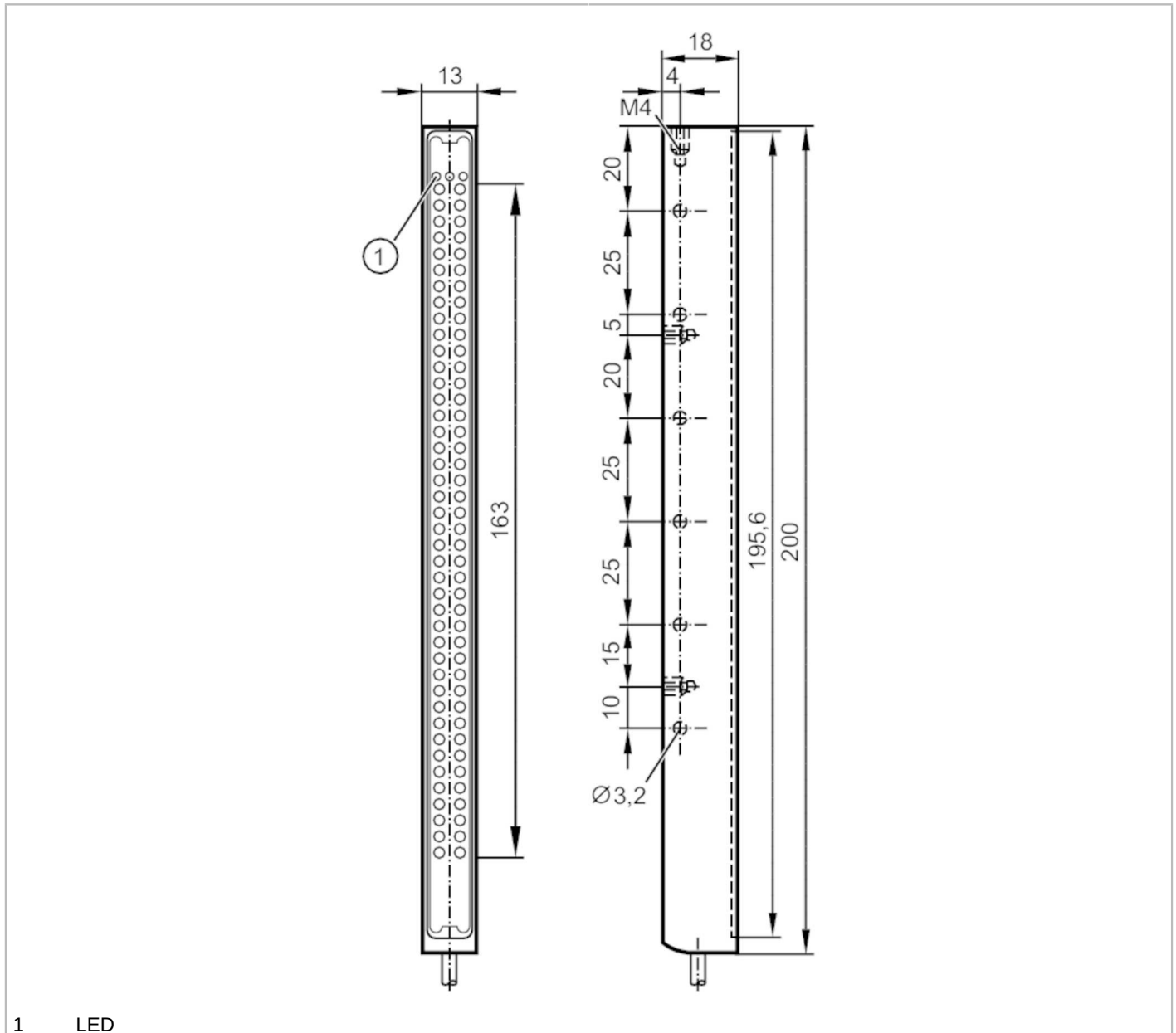


# O2D925



## External illumination

BAR LIGHT 10x150 IR/0,3M/US



1 LED



Product characteristics	
Type of light	Infrared light
Application	
Illuminated field [mm]	10 x 150
Design	bar
Type of operation	high light intensity (pulsed, permanent operation with cooling only); normal light intensity (permanent operation possible)
Electrical data	
Operating voltage [V]	24 DC
Current consumption [mA]	Operating mode "permanent operation": 415; operating mode "high light intensity": 640
Type of light	Infrared light

# O2D925



## External illumination

BAR LIGHT 10x150 IR/0,3M/US

Wave length [nm] 875

### Inputs

Trigger 24 V PNP

### Operating conditions

Ambient temperature [°C] -10...55

Storage temperature [°C] -25...75

Protection IP 65

Overheat protection yes; (deactivation at 65...75 °C)

### Tests / approvals

Photobiological safety risk group 1; (DIN EN 62471:2008)

### Mechanical data

Weight [g] 218.5

Dimensions [mm] 200 x 13 x 18

Material aluminum black anodized

Lens material glass

### Displays / operating elements

Display Illumination status 1 x LED, yellow

Power 1 x LED, green

Excess temperature 1 x LED, red

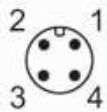
### Remarks

Pack quantity 1 pcs.

### Electrical connection

Cable: 0.3 m, PUR, black; 4 x 0.34 mm<sup>2</sup>

Connector: 1 x M12; coding: A



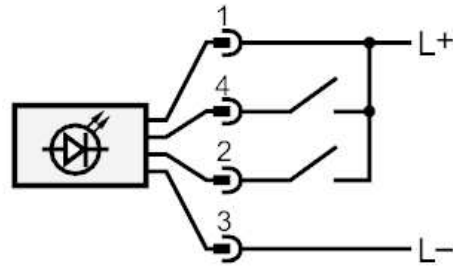
# O2D925



## External illumination

BAR LIGHT 10x150 IR/0,3M/US

### Connection



- 4 Trigger
- 2 operating mode "high light intensity"