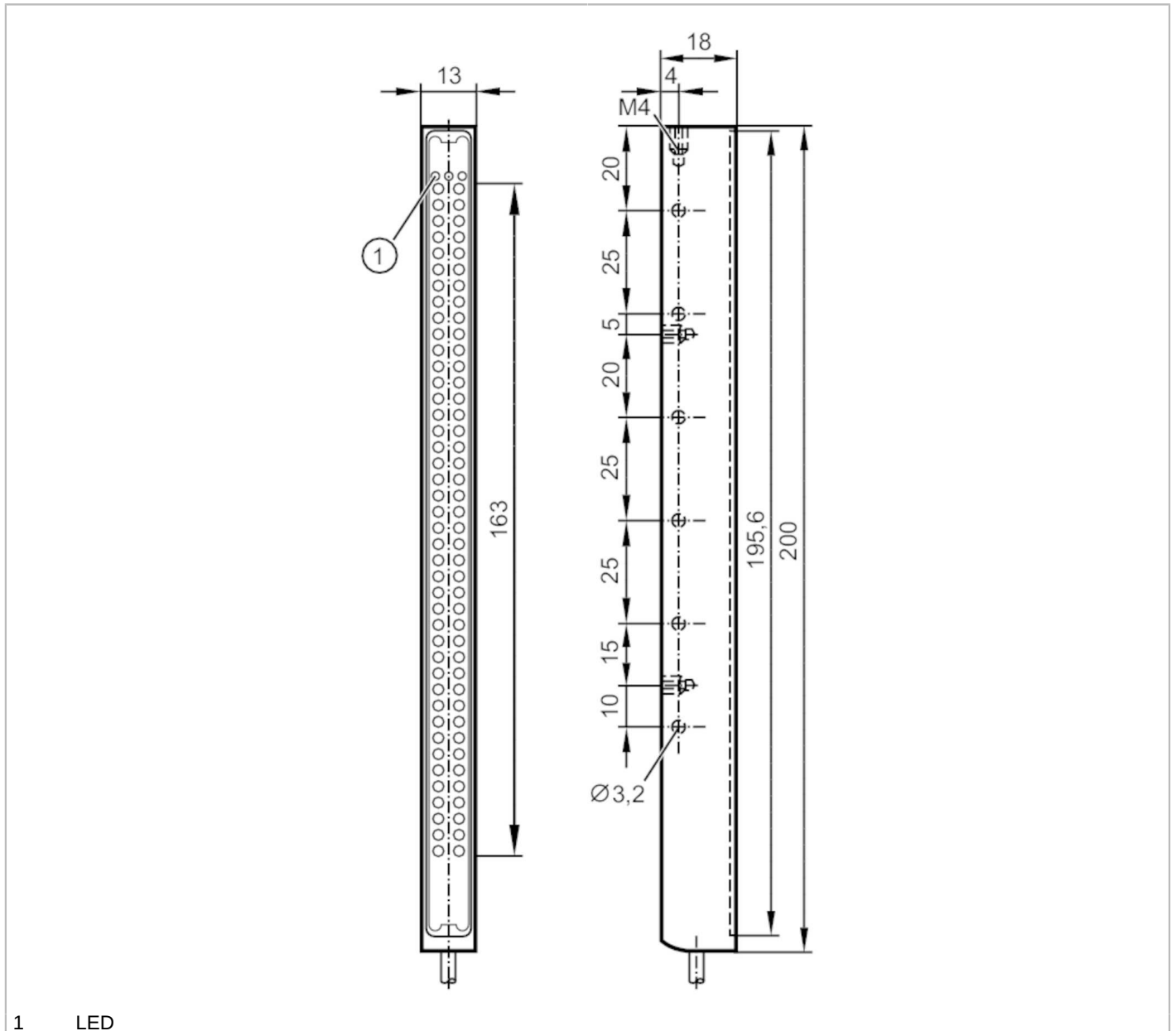


O2D924



External illumination

BAR LIGHT 10x150 RT/0,3M/US



1 LED



Product characteristics	
Type of light	red light
Application	
Illuminated field [mm]	10 x 150
Design	bar
Type of operation	high light intensity (pulsed, permanent operation with cooling only); normal light intensity (permanent operation possible)
Electrical data	
Operating voltage [V]	24 DC
Current consumption [mA]	Operating mode "permanent operation": 460; operating mode "high light intensity": 700
Type of light	red light

O2D924



External illumination

BAR LIGHT 10x150 RT/0,3M/US

Wave length [nm] 617

Inputs

Trigger 24 V PNP

Operating conditions

Ambient temperature [°C] -10...55

Storage temperature [°C] -25...75

Protection IP 65

Overheat protection yes; (deactivation at 65...75 °C)

Tests / approvals

Photobiological safety exempt group; (DIN EN 62471:2008)

Mechanical data

Weight [g] 216.5

Dimensions [mm] 200 x 13 x 18

Material aluminum black anodized

Lens material glass

Displays / operating elements

Display Illumination status 1 x LED, yellow

Power 1 x LED, green

Excess temperature 1 x LED, red

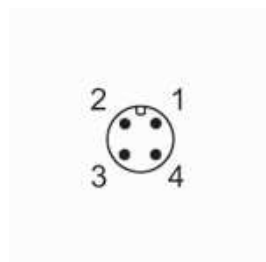
Remarks

Pack quantity 1 pcs.

Electrical connection

Cable: 0.3 m, PUR, black; 4 x 0.34 mm²

Connector: 1 x M12; coding: A



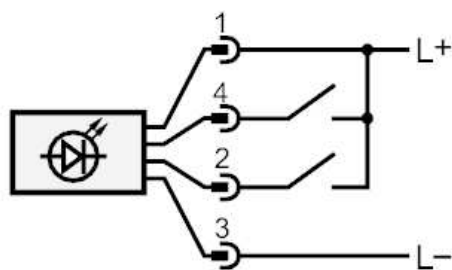
O2D924



External illumination

BAR LIGHT 10x150 RT/0,3M/US

Connection



- 4 Trigger
- 2 operating mode "high light intensity"