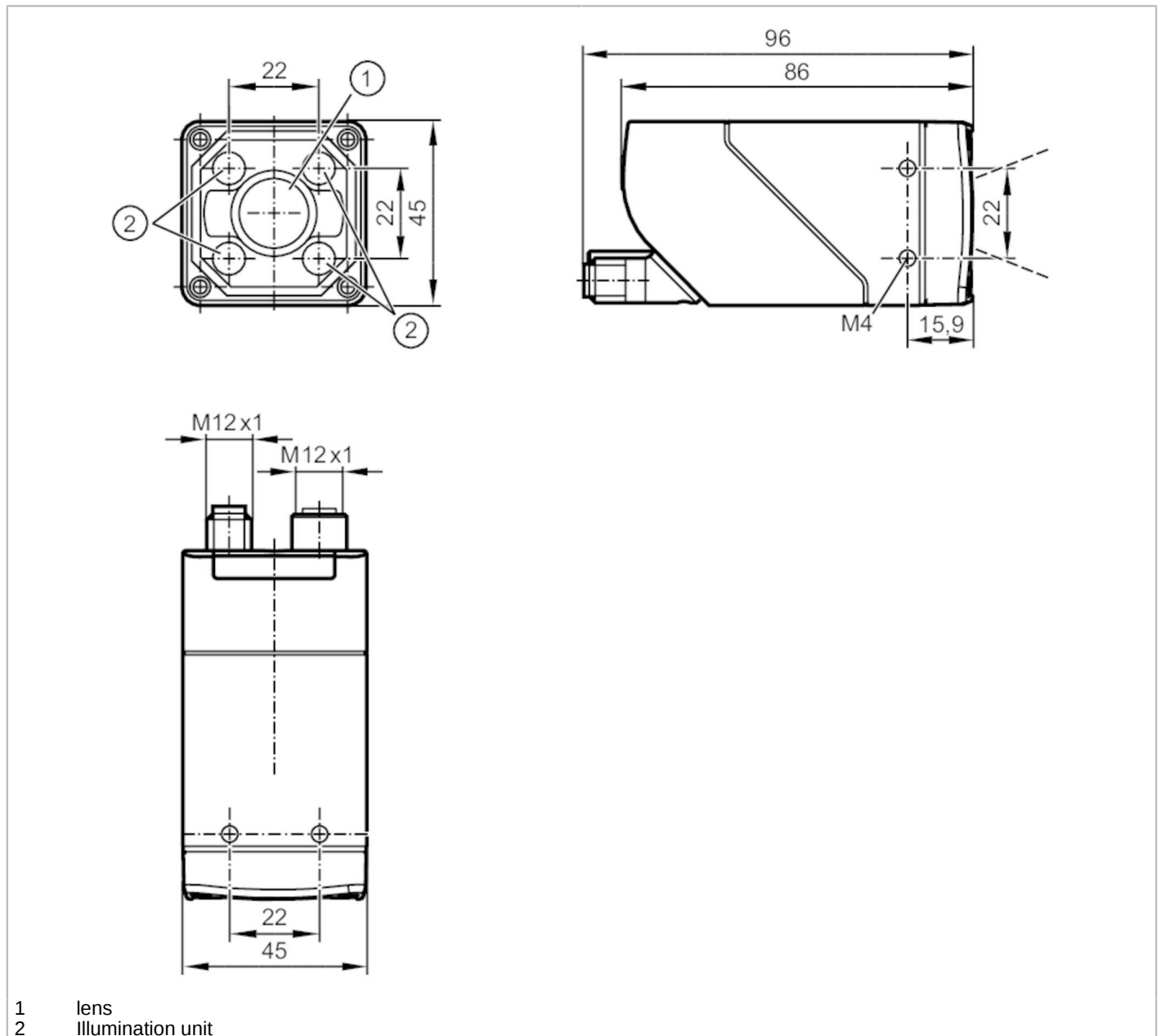


O2D550



Object recognition sensor

O2DIRDKG/E1/E4/EF/GM/S/16/5A



- 1 lens
- 2 illumination unit



Product characteristics	
Type of light	Infrared light
Image resolution [px]	1280 x 960
Max. reading rate [Hz]	40
Electrical data	
Operating voltage [V]	18...30 DC
Current consumption [mA]	< 300; (24V DC; with switched outputs: < 600 mA)
Protection class	III
Reverse polarity protection	yes
Type of light	Infrared light
Wave length [nm]	850

O2D550



Object recognition sensor

O2DIRDKG/E1/E4/EF/GM/S/16/5A

Image sensor	CMOS image sensor black/white			
Inputs / outputs				
Number of inputs and outputs	Number of digital inputs: 1; Number of digital outputs: 2			
Inputs				
Trigger	external; 24 V PNP/NPN (IEC 61131-2 Typ 3); TCP/IP; PROFINET; internal			
Number of digital inputs	1			
Outputs				
Electrical design	PNP/NPN; (configurable)			
Number of digital outputs	2; (configurable)			
Max. voltage drop switching output DC [V]	1			
Max. current load per output [mA]	100			
Short-circuit protection	yes			
Type of short-circuit protection	yes (non-latching)			
Overload protection	yes			
Monitoring range				
Field of view size [mm]	Operating distance	Field of view		
	85	28 x 21		
	300	92 x 69		
	500	152 x 114		
	1000	302 x 227		
	1500	453 x 340		
	2000	603 x 452		
	2500	753 x 564		
Operating distance [mm]	> 85			
Image resolution [px]	1280 x 960			
Lens type	standard			
Max. reading rate [Hz]	40			
Software / programming				
Parameter setting options	via PC with ifm Vision Assistant			
Interfaces				
Communication interface	Ethernet			
Ethernet				
Number of Ethernet interfaces	1			
Transmission standard	10Base-T; 100Base-TX			
Transmission rate	10 MBit/s; 100 MBit/s			
Protocol	TCP/IP; PROFINET			
Factory settings	IP address: 192.168.0.69			
	subnet mask: 255.255.255.0 (Class C)			
	gateway IP address: 192.168.0.201			
	MAC address: see type label			
Usage type	Parameter setting; Data transmission			

O2D550



Object recognition sensor

O2DIRDKG/E1/E4/EF/GM/S/16/5A

Operating conditions		
Ambient temperature	[°C]	-10...50
Storage temperature	[°C]	-40...70
Max. relative air humidity	[%]	90; (non condensing)
Max. height above sea level	[m]	4000
Protection		IP 65
Degree of soiling		2

Tests / approvals		
EMC	EN IEC 61000-6-4 radiation of interference	industrial environments
	EN IEC 61000-6-2 noise immunity	industrial environments
Shock resistance	EN 60068-2-27	50 g 11 ms / not repetitive
	EN 60068-2-27	40 g 6 ms / repetitive
Vibration resistance	EN 60068-2-6	2 g (10 ... 150 Hz)
Photobiological safety		exempt group; (EN 62471)
Electrical safety	EN IEC 61010-2-201	electrical supply only via PELV circuits

Mechanical data		
Weight	[g]	623.9
Dimensions	[mm]	45 x 45 x 86
Material		housing: diecast zinc powder-coated; front lens: Gorillaglas; LED window: PC; pushbuttons: POM
Sealing material		FKM

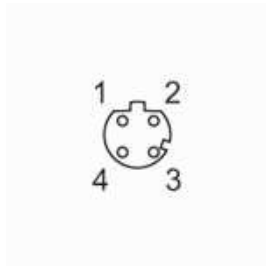
Displays / operating elements		
Display	Function	2 x LED, green
	Function	2 x LED, yellow
	Multi-function button	2 x LED, green/yellow
Operating elements	1	Multi-function button

Accessories		
Accessories (optional)		Mounting accessories
		Protective panes

Remarks		
Pack quantity		1 pcs.

Electrical connection - Ethernet

Connector: 1 x M12; coding: D; Moulded body: stainless steel; sealing: FKM



1	TxD+
2	RxD+
3	TxD-
4	RxD-

O2D550

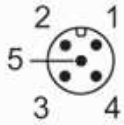


Object recognition sensor

O2DIRDKG/E1/E4/EF/GM/S/16/5A

Electrical connection - supply

Connector: 1 x M12; coding: A; Moulded body: stainless steel



1	U+
2	trigger input
3	0 V
4	Switching output 1 configurable
5	Switching output 2 configurable / trigger output with external illumination