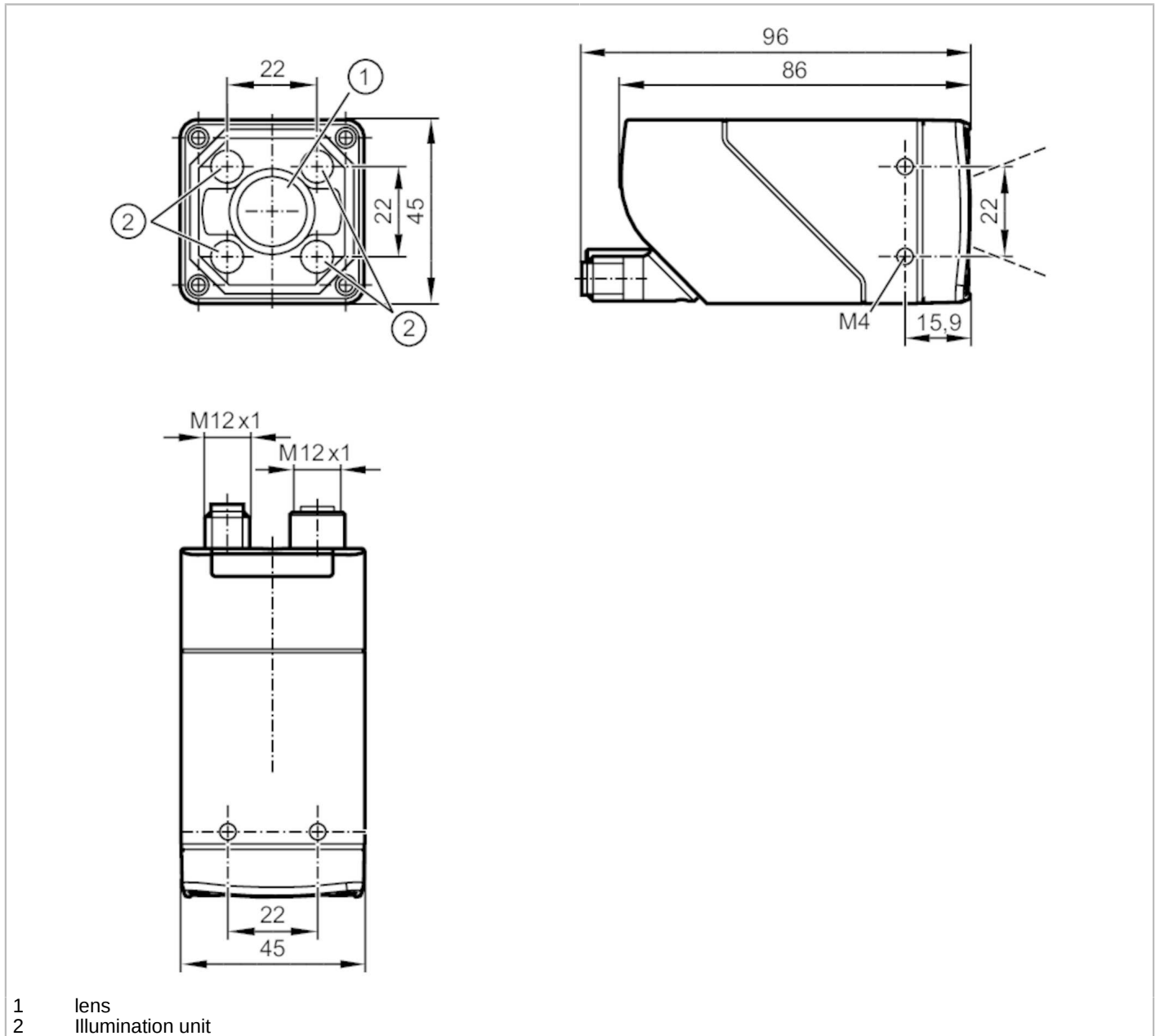


# O2D530



## Object recognition sensor

O2DIRDKG/E1/E4/EF/GM/TB/S/16



- 1 lens
- 2 illumination unit



### Product characteristics

Type of light		Infrared light
Image resolution	[px]	1280 x 960
Max. reading rate	[Hz]	40

### Electrical data

Operating voltage	[V]	18...30 DC
Current consumption	[mA]	< 300; (24V DC; with switched outputs: < 400 mA)
Protection class		III
Reverse polarity protection		yes
Type of light		Infrared light
Wave length	[nm]	850

# O2D530



## Object recognition sensor

O2DIRDKG/E1/E4/EF/GM/TB/S/16

Image sensor	CMOS image sensor black/white			
<b>Inputs / outputs</b>				
Number of inputs and outputs	Number of digital inputs: 1; Number of digital outputs: 1			
<b>Inputs</b>				
Trigger	external; 24 V PNP/NPN (IEC 61131-2 Typ 3); TCP/IP; PROFINET; internal			
Number of digital inputs	1			
<b>Outputs</b>				
Electrical design	PNP/NPN; (configurable)			
Number of digital outputs	1; (configurable)			
Max. voltage drop switching output DC [V]	1			
Max. current load per output [mA]	100			
Short-circuit protection	yes			
Type of short-circuit protection	yes (non-latching)			
Overload protection	yes			
<b>Monitoring range</b>				
Field of view size [mm]	Operating distance	Field of view		
	85	28 x 21		
	300	92 x 69		
	500	152 x 114		
	1000	302 x 227		
	1500	453 x 340		
	2000	603 x 452		
	2500	753 x 564		
Operating distance [mm]	> 85			
Image resolution [px]	1280 x 960			
Lens type	standard			
Max. reading rate [Hz]	40			
<b>Software / programming</b>				
Parameter setting options	via PC with ifm Vision Assistant			
<b>Interfaces</b>				
Communication interface	Ethernet			
<b>Ethernet</b>				
Number of Ethernet interfaces	1			
Transmission standard	10Base-T; 100Base-TX			
Transmission rate	10 MBit/s; 100 MBit/s			
Protocol	TCP/IP; PROFINET			
Factory settings	IP address: 192.168.0.69			
	subnet mask: 255.255.255.0 (Class C)			
	gateway IP address: 192.168.0.201			
	MAC address: see type label			
Usage type	Parameter setting; Data transmission			

# O2D530



## Object recognition sensor

O2DIRDKG/E1/E4/EF/GM/TB/S/16

Operating conditions		
Ambient temperature	[°C]	-10...50
Storage temperature	[°C]	-40...70
Max. relative air humidity	[%]	90; (non condensing)
Max. height above sea level	[m]	4000
Protection		IP 65
Degree of soiling		2
Tests / approvals		
EMC	EN IEC 61000-6-4 radiation of interference	industrial environments
	EN IEC 61000-6-2 noise immunity	industrial environments
Shock resistance	EN 60068-2-27	50 g 11 ms / not repetitive
	EN 60068-2-27	40 g 6 ms / repetitive
Vibration resistance	EN 60068-2-6	2 g (10 ... 150 Hz)
Photobiological safety		exempt group; (EN 62471)
Electrical safety	EN IEC 61010-2-201	electrical supply only via PELV circuits
Mechanical data		
Weight	[g]	619.6
Type of mounting		screw mounting; (bore hole M4 x 7mm)
Dimensions	[mm]	45 x 45 x 86
Material		housing: diecast zinc powder-coated; front lens: Gorillaglas; LED window: PC; pushbuttons: POM
Sealing material		FKM
Tightening torque	[Nm]	2.1
Displays / operating elements		
Display	Function	2 x LED, green
	Function	2 x LED, yellow
	Multi-function button	2 x LED, green/yellow
Operating elements	1	Multi-function button
Accessories		
Accessories (optional)		Mounting accessories
		Protective panes
Remarks		
Pack quantity		1 pcs.

# O2D530



## Object recognition sensor

O2DIRDKG/E1/E4/EF/GM/TB/S/16

### Electrical connection - Ethernet

Connector: 1 x M12; coding: D; Moulded body: stainless steel; sealing: FKM



1	TxD+
2	RxD+
3	TxD-
4	RxD-
	shield connected

### Electrical connection - supply

Connector: 1 x M12; coding: L; Moulded body: stainless steel



1	24 V DC
2	not used / trigger input
3	GND
4	not used / Ready / OUT1
5	not used