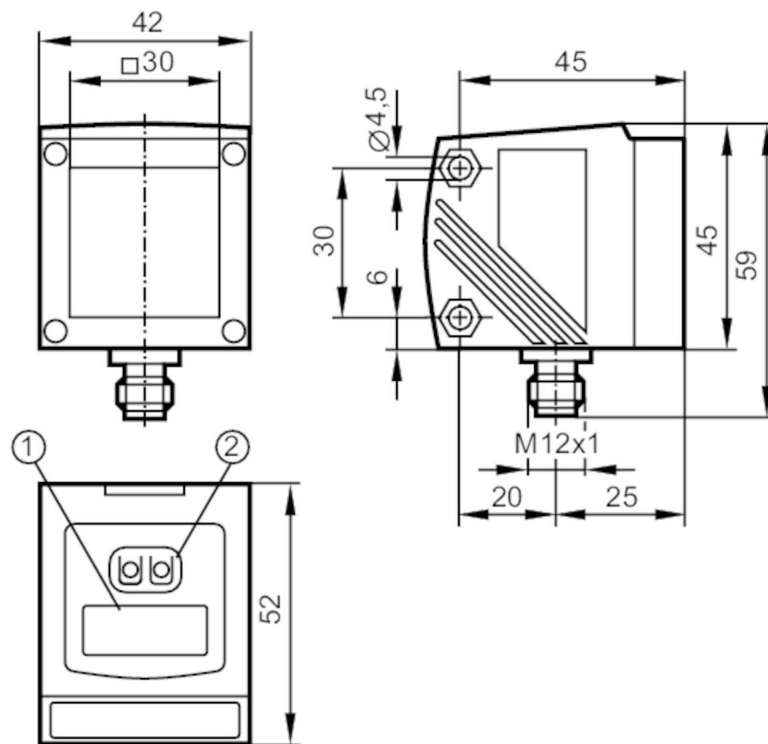


O1D121

Laser distance sensor

O1DLF3KG



- 1 alphanumeric display 4-digit
2 Programming buttons



Product characteristics

| | |
|------------------------|-------------|
| Laser protection class | 2 |
| Housing | rectangular |

Electrical data

| | |
|-----------------------------|---|
| Operating voltage [V] | 23...25 DC; (cULus - Class 2 source required) |
| Current consumption [mA] | < 150; (250: <5 °C) |
| Protection class | III |
| Reverse polarity protection | yes |
| Typ. lifetime [h] | 50000 |

Inputs / outputs

| | |
|------------------------------|---|
| Number of inputs and outputs | Number of digital outputs: 2; Number of analog outputs: 1 |
|------------------------------|---|

Outputs

| | |
|-----------------------------------|--|
| Total number of outputs | 2 |
| Electrical design | PNP |
| Number of digital outputs | 2 |
| Output function | normally open / closed; (programmable) |
| Max. current load per output [mA] | 200 |
| Number of analog outputs | 1 |
| Analog current output [mA] | 4...20; (IEC 61131-2) |

O1D121



Laser distance sensor

O1DLF3KG

| | | |
|----------------------------------|-----|-----------------------|
| Max. load | [Ω] | 250 |
| Analog voltage output | [V] | 0...10; (IEC 61131-2) |
| Min. load resistance | [Ω] | 5000 |
| Short-circuit protection | | yes |
| Type of short-circuit protection | | yes (non-latching) |
| Overload protection | | yes |

| | | |
|--------------------------------|------|------|
| Monitoring range | | |
| Max. light spot width | [mm] | 15 |
| Max. light spot height | [mm] | 15 |
| Light spot dimensions refer to | | 10 m |
| Background suppression | [m] | < 19 |

| | | |
|--------------------------------|------|---|
| Measuring/setting range | | |
| Measuring range | [m] | 0.2...10; (white paper 200 x 200 mm 90 % remission) |
| Sampling rate | [Hz] | 1...50 |

| | | |
|-----------------------------|------|----------|
| Operating conditions | | |
| Ambient temperature | [°C] | -26...60 |
| Protection | | IP 67 |

| | | |
|---------------------------|------------------------------------|---|
| Tests / approvals | | |
| EMC | EN 60947-5-2 | |
| Laser protection class | | 2 |
| Notes on laser protection | Caution: | Laser light |
| | Power: | ≤ 4,0 mW |
| | Wave length: | 650 nm |
| | pulse: | 1,3 ns |
| | Do not stare into beam. | |
| | Avoid exposure to the laser light. | |
| | laser class: | 2 |
| UL approval | | EN / IEC60825-1:2007 |
| | | EN / IEC60825-1:2014 |
| | | Complies with 21 CFR 1040 except for deviations pursuant to Laser Notice No. 50, dated June 2007. |
| | Ta | -10...60 °C |
| | Enclosure type | Type 1 |
| voltage supply | Class 2 | |
| File number UL | E174191 | |

| | | |
|------------------------|------|--|
| Mechanical data | | |
| Weight | [g] | 249.2 |
| Housing | | rectangular |
| Dimensions | [mm] | 59 x 42 x 52 |
| Material | | housing: diecast zinc; front lens: glass; LED window: PC |
| Lens alignment | | Side sensing |

O1D121



Laser distance sensor

O1DLF3KG

Displays / operating elements

| | | |
|--------------------|-----------------------|-------------------------------|
| Display | Switching status | 2 x LED, yellow |
| | Power | LED, green |
| | Distance, programming | alphanumeric display, 4-digit |
| Operating elements | | Electronic lock, activated |

Accessories

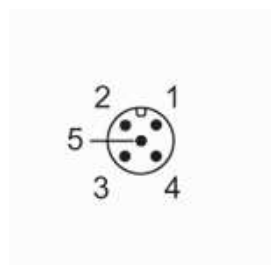
| | |
|------------------------|--------------------------|
| Accessories (optional) | Protective cover, E21133 |
|------------------------|--------------------------|

Remarks

| | |
|---------------|-------------------------------------|
| Remarks | Temperature-controlled lens heating |
| Pack quantity | 1 pcs. |

Electrical connection - plug

Connector: 1 x M12; coding: A



Connection

