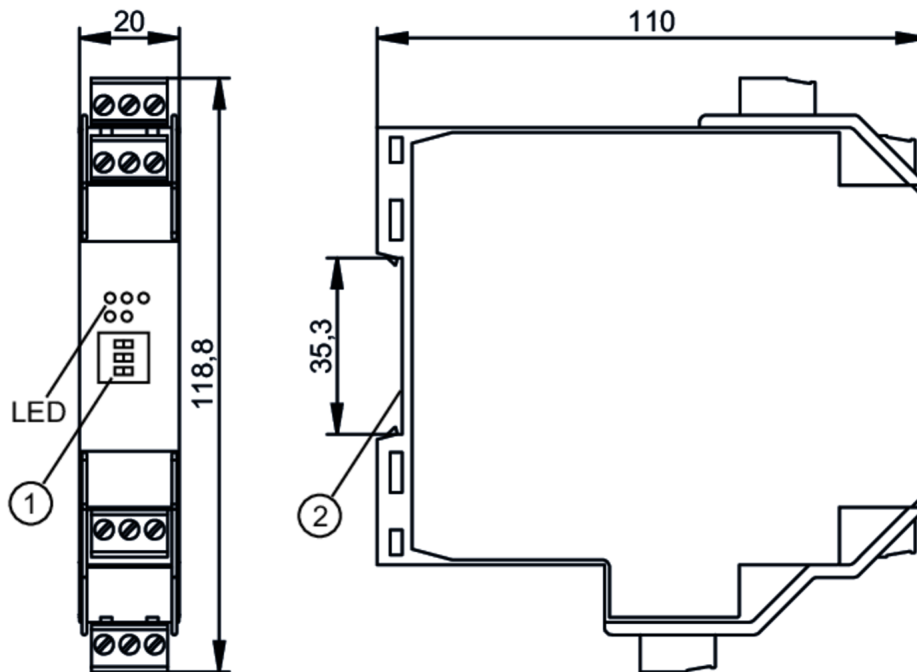


N0539A



Switching amplifiers for Namur sensors

NV1222/24VDC/TR/1D/1G



- 1 selector switch
- 2 Mounting on DIN rail



Product characteristics

Number of inputs and outputs Number of digital outputs: 2

Application

Application short-circuit monitoring; Wire break monitoring

Electrical data

| | | |
|-----------------------------|------|----------|
| Operating voltage tolerance | [%] | -15...25 |
| Operating voltage | [V] | 24 DC |
| Current consumption | [mA] | < 50 |
| Number of channels | | 2 |

Inputs / outputs

Number of inputs and outputs Number of digital outputs: 2

Outputs

| | | |
|---------------------------------------|------|------|
| Electrical design | | PNP |
| Number of digital outputs | | 2 |
| Max. voltage drop switching output DC | [V] | 3.5 |
| Max. current load per output | [mA] | 100 |
| Switching frequency DC | [Hz] | 5000 |
| Short-circuit proof | | yes |

Operating conditions

Ambient temperature [°C] -20...60

N0539A



Switching amplifiers for Namur sensors

NV1222/24VDC/TR/1D/1G

| | | |
|--------------------------------------|---|-----------------|
| Protection | IP 20 | |
| Tests / approvals | | |
| Approval | FIDI 20 ATEX 0022X; IECEx FIDI 20.0003X | |
| ATEX marking | ⊕ II 3 (1) G Ex nA [ia Ga] IIC T4 Gc | |
| | ⊕ II (1) D [Ex ia Da] IIIC | |
| | ⊕ I (M1) [Ex ia Ma] I | |
| EMC | NE 21 | (2012) |
| | EN 61326-3-2 | (2008) |
| MTTF [years] | 345 | |
| Mechanical data | | |
| Weight [g] | 198.4 | |
| Displays / operating elements | | |
| Display | Switching status | 2 x LED, yellow |
| | Power | LED, green |
| | Function | 2 x LED, red |
| Remarks | | |
| Remarks | Caution The switching amplifier has to be mounted according to the requirements of the operating instructions Free terminals must not be used. | |
| Pack quantity | 1 pcs. | |

N0539A



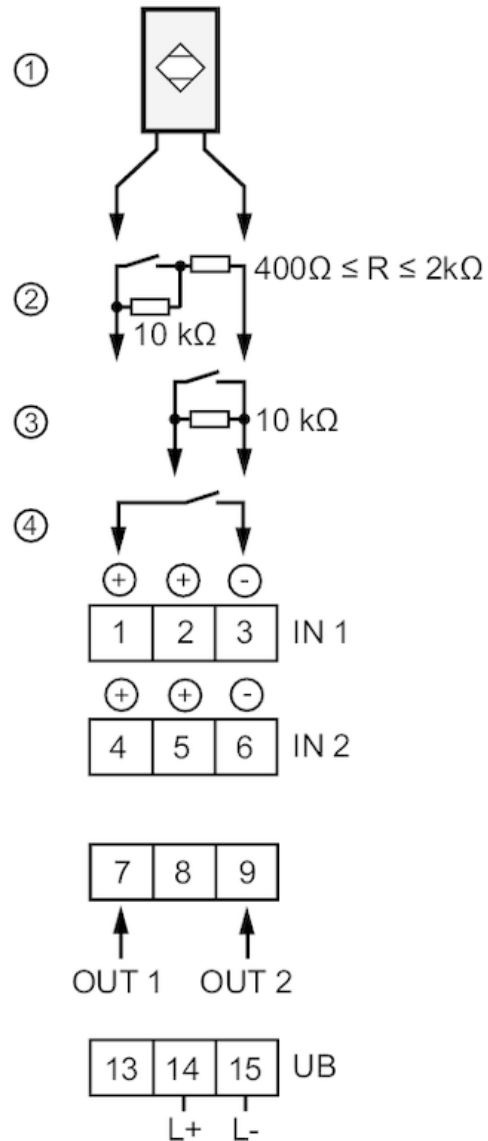
Switching amplifiers for Namur sensors

NV1222/24VDC/TR/1D/1G

Electrical connection

terminals: ...2.5 mm²

Connection



N0539A



Switching amplifiers for Namur sensors

NV1222/24VDC/TR/1D/1G

Other data

Maximum values for control circuit

| in protection rating intrinsic safety | [Ex ia Ga] IIC | [Ex ia Ga] IIB | [Ex ia Ga] IIA | [Ex ia Ma] I |
|---|----------------|----------------|----------------|--------------|
| Voltage [V] | 10.5 | 10.5 | 10.5 | 10.5 |
| Current [mA] | 17.1 | 17.1 | 17.1 | 17.1 |
| Power [mW] | 45 | 45 | 45 | 45 |
| External inductance [mH] or Lo/Ro [mH/Ω] | 121.5 | 486.3 | 972.7 | 1000 |
| External capacitance [μF] | 2.41 | 16.8 | 75 | 95 |