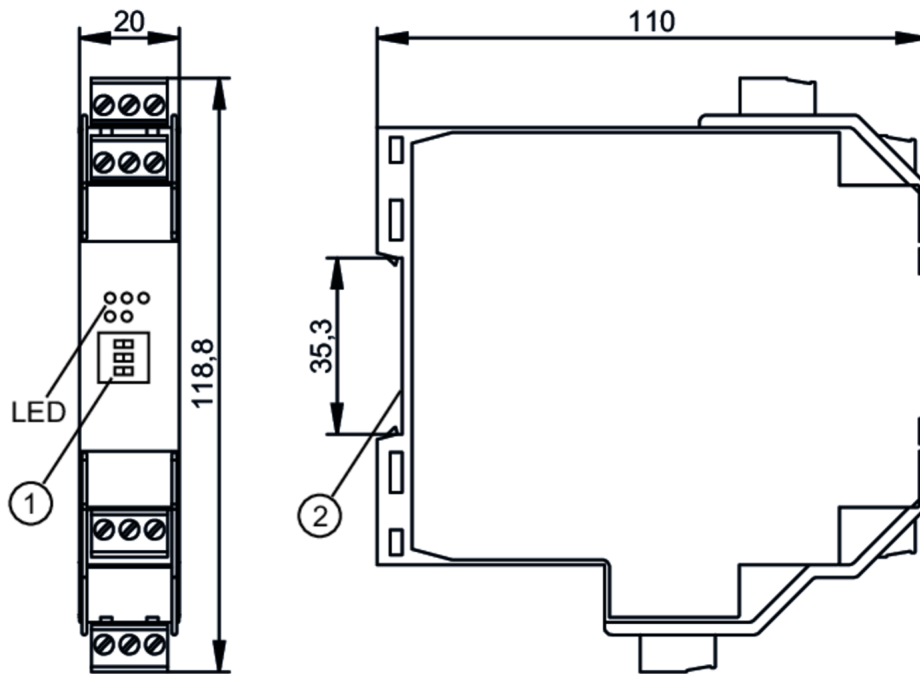


# N0538A



## Switching amplifiers for Namur sensors

NV1223/24VDC/OK/1D/1G



- 1 selector switch
- 2 Mounting on DIN rail



### Product characteristics

Number of inputs and outputs Number of digital outputs: 2

### Application

Application short-circuit monitoring; Wire break monitoring

### Electrical data

Operating voltage tolerance [%]	-15...25
Operating voltage [V]	24 DC
Current consumption [mA]	< 50
Number of channels	2

### Inputs / outputs

Number of inputs and outputs Number of digital outputs: 2

### Outputs

Electrical design	opto coupler; (bipolar; Voltage: max. 40 V DC)
Number of digital outputs	2
Max. voltage drop switching output DC [V]	3
Max. current load per output [mA]	100
Switching frequency DC [Hz]	5000
Short-circuit proof	yes

### Operating conditions

Ambient temperature [°C] -20...60

# N0538A



## Switching amplifiers for Namur sensors

NV1223/24VDC/OK/1D/1G

Protection	IP 20	
<b>Tests / approvals</b>		
Approval	FIDI 20 ATEX 0022X; IECEx FIDI 20.0003X	
ATEX marking	⊕ II 3 (1) G Ex nA [ia Ga] IIC T4 Gc	
	⊕ II (1) D [Ex ia Da] IIIC	
	⊕ I (M1) [Ex ia Ma] I	
EMC	NE 21	(2012)
	EN 61326-3-2	(2008)
MTTF [years]	317	
<b>Mechanical data</b>		
Weight [g]	195.9	
<b>Displays / operating elements</b>		
Display	Switching status	2 x LED, yellow
	Power	LED, green
	Function	2 x LED, red
<b>Remarks</b>		
Remarks	Caution The switching amplifier has to be mounted according to the requirements of the operating instructions	
	Free terminals must not be used.	
Pack quantity	1 pcs.	

# N0538A



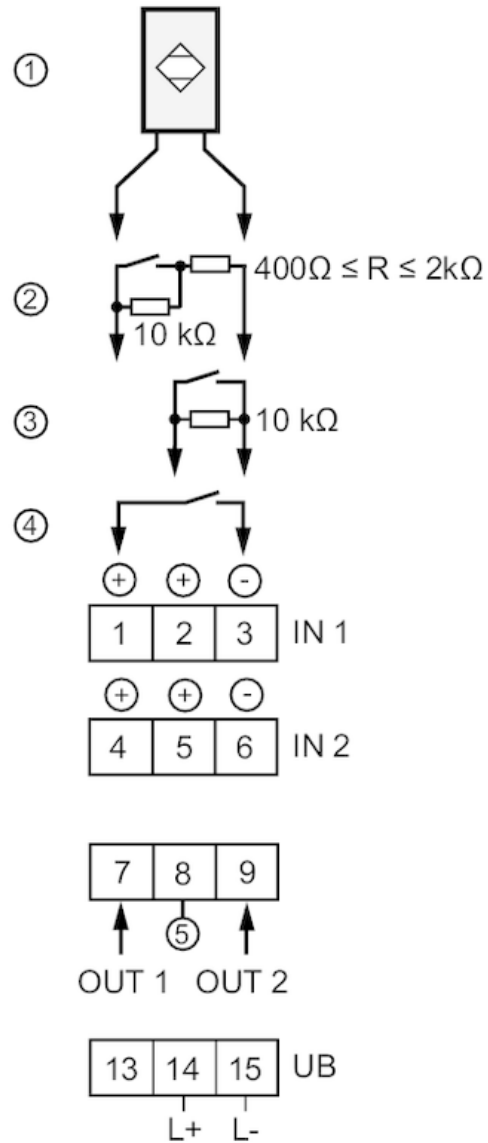
## Switching amplifiers for Namur sensors

NV1223/24VDC/OK/1D/1G

### Electrical connection

terminals: ...2.5 mm<sup>2</sup>

### Connection



# N0538A



## Switching amplifiers for Namur sensors

NV1223/24VDC/OK/1D/1G

### Other data

#### Maximum values for control circuit

in protection rating intrinsic safety	[Ex ia Ga] IIC	[Ex ia Ga] IIB	[Ex ia Ga] IIA	[Ex ia Ma] I
Voltage [V]	10.5	10.5	10.5	10.5
Current [mA]	17.1	17.1	17.1	17.1
Power [mW]	45	45	45	45
External inductance [mH] or Lo/Ro [mH/Ω]	121.5	486.3	972.7	1000
External capacitance [μF]	2.41	16.8	75	95