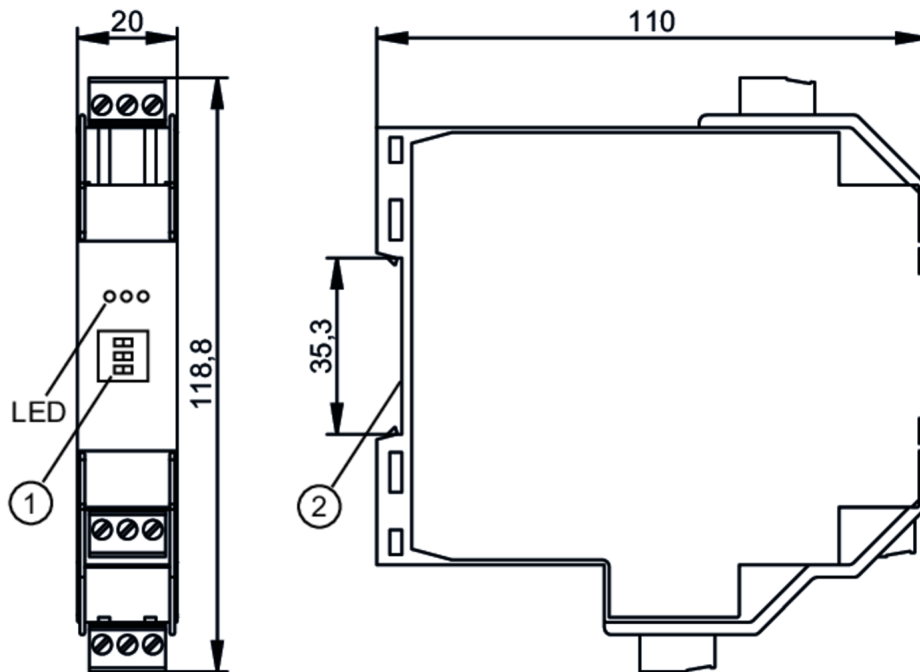


N0537A



Switching amplifiers for Namur sensors

NV1122/24VDC/TR/1D/1G



- 1 selector switch
- 2 Mounting on DIN rail



Product characteristics

Number of inputs and outputs Number of digital outputs: 2

Application

Application short-circuit monitoring; Wire break monitoring

Electrical data

Operating voltage tolerance	[%]	-15...25
Operating voltage	[V]	24 DC
Current consumption	[mA]	< 50
Number of channels		1

Inputs / outputs

Number of inputs and outputs Number of digital outputs: 2

Outputs

Electrical design		PNP
Number of digital outputs		2
Max. voltage drop switching output DC	[V]	3.5
Max. current load per output	[mA]	100
Switching frequency DC	[Hz]	5000
Short-circuit proof		yes

Operating conditions

Ambient temperature [°C] -20...60

N0537A



Switching amplifiers for Namur sensors

NV1122/24VDC/TR/1D/1G

Protection	IP 20	
Tests / approvals		
Approval	FIDI 20 ATEX 0022X; IECEx FIDI 20.0003X	
ATEX marking	⊕ II 3 (1) G Ex nA [ia Ga] IIC T4 Gc	
	⊕ II (1) D [Ex ia Da] IIIC	
	⊕ I (M1) [Ex ia Ma] I	
EMC	NE 21	(2012)
	EN 61326-3-2	(2008)
MTTF [years]	345	
Mechanical data		
Weight [g]	180.4	
Displays / operating elements		
Display	Switching status	LED, yellow
	Power	LED, green
	Function	LED, red
Remarks		
Remarks	Caution The switching amplifier has to be mounted according to the requirements of the operating instructions Free terminals must not be used.	
Pack quantity	1 pcs.	

N0537A



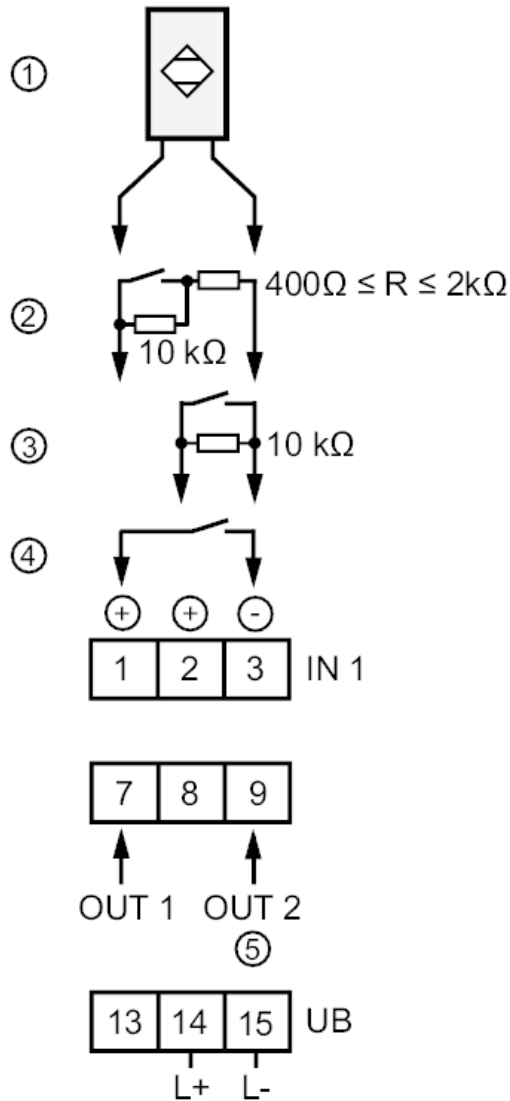
Switching amplifiers for Namur sensors

NV1122/24VDC/TR/1D/1G

Electrical connection

terminals: ...2.5 mm²

Connection



Other data

Maximum values for control circuit

in protection rating intrinsic safety	[Ex ia Ga] IIC	[Ex ia Ga] IIB	[Ex ia Ga] IIA	[Ex ia Ma] I
Voltage [V]	10.5	10.5	10.5	10.5
Current [mA]	17.1	17.1	17.1	17.1
Power [mW]	45	45	45	45
External inductance [mH]	121.5	486.3	972.7	1000
or Lo/Ro [mH/ Ω]	0.79	3.16	6.33	10.39
External capacitance [μ F]	2.41	16.8	75	95