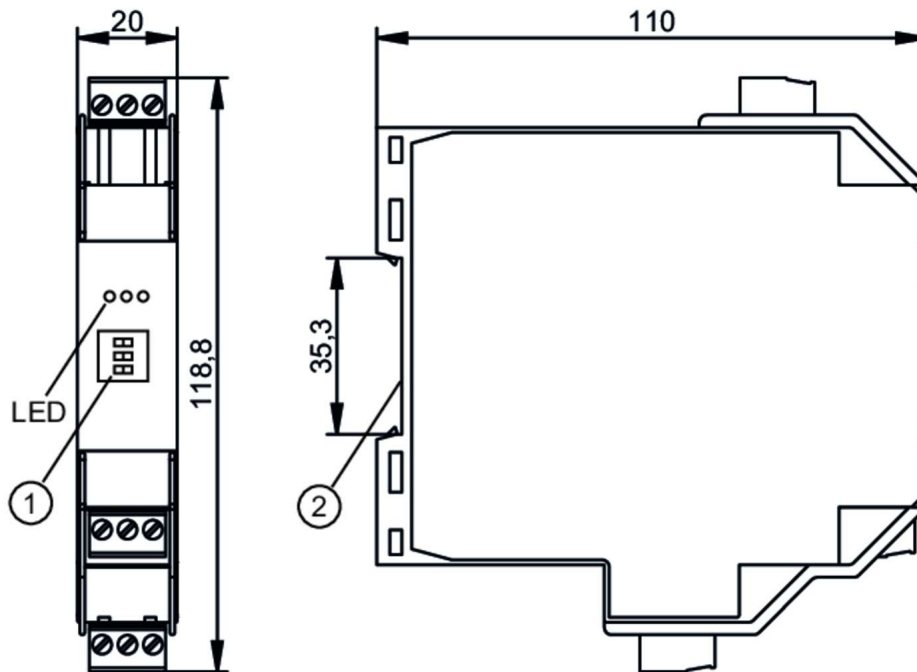


N0530A



Switching amplifiers for Namur sensors

NV1121/24VDC/RL/1D/1G



- 1 selector switch
- 2 Mounting on DIN rail



Application	
Application	short-circuit monitoring; Wire break monitoring
Electrical data	
Operating voltage tolerance [%]	-15...25
Operating voltage [V]	24 DC
Current consumption [mA]	< 23
Number of channels	1
Outputs	
Electrical design	Relay; (1 changeover contact)
Contact rating	253 V AC / 2 A / cos phi > 0,7 // 40 V DC / 2 A; (resistive load)
Switching frequency DC [Hz]	10
Operating conditions	
Ambient temperature [°C]	-20...60
Protection	IP 20
Tests / approvals	
Approval	PTB 02 ATEX 2036; IECEx PTB 17.0024
ATEX marking	<div style="display: flex; align-items: center; gap: 10px;"> Ex II (1) G [Ex ia Ga] IIC </div> <div style="display: flex; align-items: center; gap: 10px;"> Ex II (1) D [Ex ia Da] IIIC </div>
EMC	<div style="display: flex; justify-content: space-between;"> EN 50081-2 (1993) </div> <div style="display: flex; justify-content: space-between;"> EN 61326-1 (2006) </div>
MTTF [years]	325

N0530A



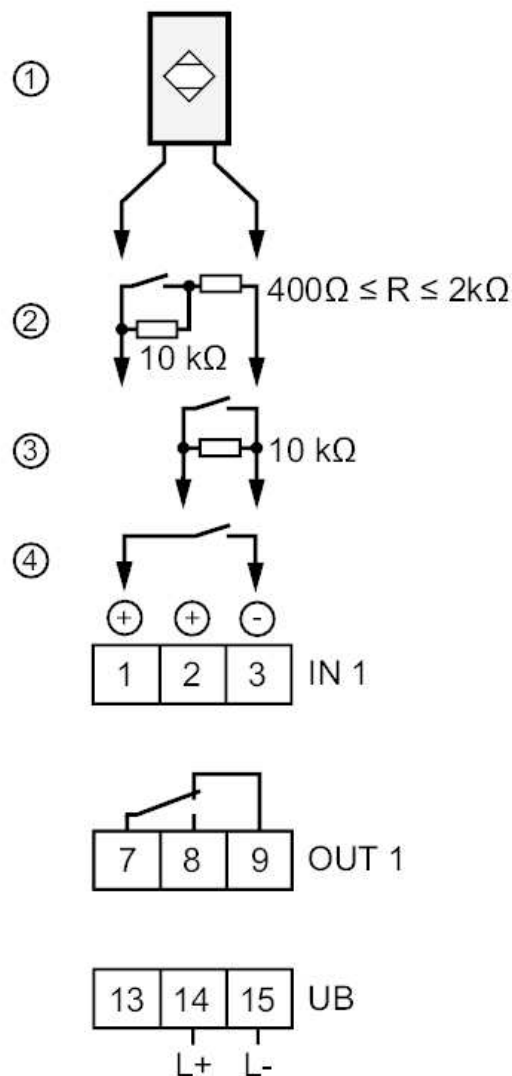
Switching amplifiers for Namur sensors

NV1121/24VDC/RL/1D/1G

Mechanical data		
Weight	[g]	164.5
Switching cycles mechanical		10 million
Displays / operating elements		
Display	Switching status	LED, yellow
	Power	LED, green
	Function	LED, red
Remarks		
Remarks	Caution The control monitor must be mounted outside the hazardous area.	
	Free terminals must not be used.	
Pack quantity	1 pcs.	

Electrical connection	
terminals: ...2.5 mm ²	

Connection



N0530A



Switching amplifiers for Namur sensors

NV1121/24VDC/RL/1D/1G

Other data

Maximum values for control circuit

in protection rating intrinsic safety	[EEx ia] IIC	[EEx ia] IIB	[EEx ib] IIC	[EEx ib] IIB
Voltage [V]	10.5	10.5	10.5	10.5
Current [mA]	13	13	13	13
Power [mW]	34	34	34	34
External inductance [mH]	210	840	210	840
External capacitance [μ F]	2.41	16.8	2.41	16.8