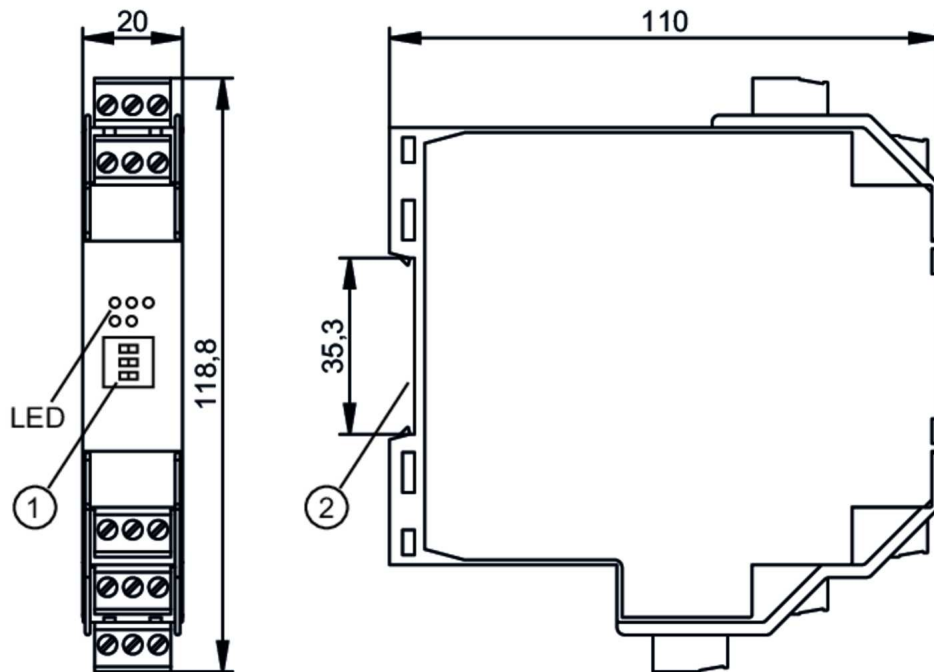


# N0032A



## Switching amplifiers for Namur sensors

NV1221/115VAC/RL/1D/1G



- 1 selector switch
- 2 Mounting on DIN rail



### Application

Application: short-circuit monitoring; Wire break monitoring

### Electrical data

Operating voltage tolerance	[%]	-10...10
Operating voltage	[V]	115 AC
Power consumption	[W]	1.3
Number of channels		2

### Outputs

Electrical design	Relay; (per channel: 1 changeover contact)	
Contact rating	253 V AC / 2 A / cos phi > 0,7 // 40 V DC / 2 A; (resistive load)	
Switching frequency AC	[Hz]	10

### Operating conditions

Ambient temperature	[°C]	-20...60
Protection		IP 20

### Tests / approvals

Approval	PTB 02 ATEX 2035; TIIS TC16048; IECEx PTB 17.0023	
ATEX marking	II (1) G [Ex ia Ga] IIC II (1) D [Ex ia Da] IIIC	
EMC	EN 50081-2	(1993)
	EN 61326-1	(2006)
MTTF	[years]	458

# N0032A



## Switching amplifiers for Namur sensors

NV1221/115VAC/RL/1D/1G

Mechanical data		
Weight [g]	230.45	
Switching cycles mechanical	10 million	
Displays / operating elements		
Display	Switching status	2 x LED, yellow
	Power	LED, green
	Function	2 x LED, red
Remarks		
Remarks	Caution The control monitor must be mounted outside the hazardous area. Free terminals must not be used.	
Pack quantity	1 pcs.	

# N0032A



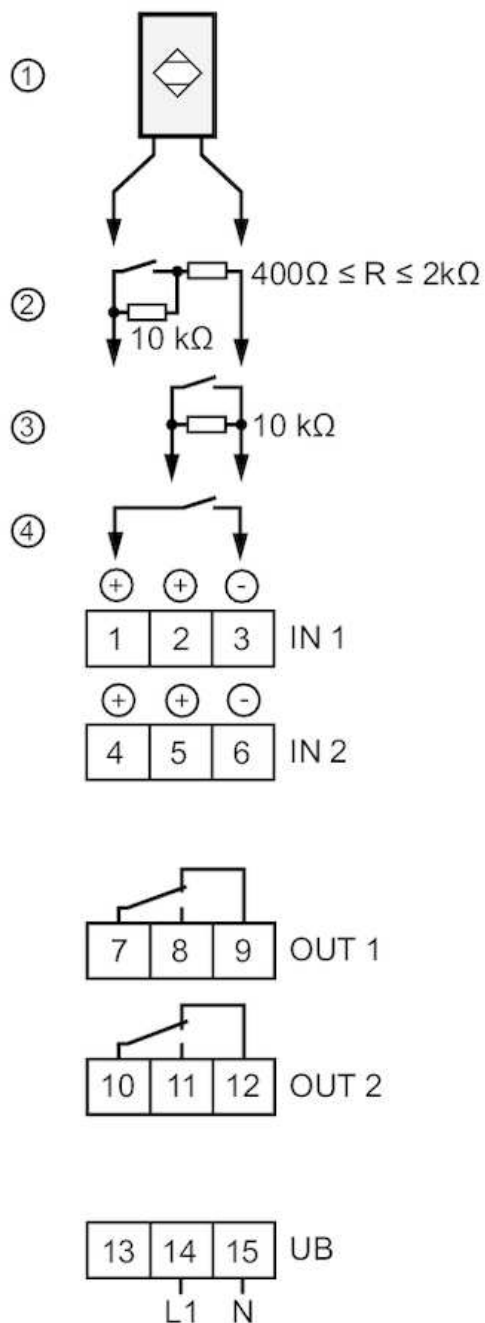
## Switching amplifiers for Namur sensors

NV1221/115VAC/RL/1D/1G

### Electrical connection

terminals: ...2.5 mm<sup>2</sup>

### Connection



# N0032A



## Switching amplifiers for Namur sensors

NV1221/115VAC/RL/1D/1G

### Other data

#### Maximum values for control circuit

in protection rating intrinsic safety	[EEx ia] IIC	[EEx ia] IIB	[EEx ib] IIC	[EEx ib] IIB
Voltage [V]	10.6	10.6	10.6	10.6
Current [mA]	19.1	19.1	19.1	19.1
Power [mW]	51	51	51	51
External inductance [mH]	97	390	97	390
External capacitance [ $\mu$ F]	2.32	16.2	2.32	16.2