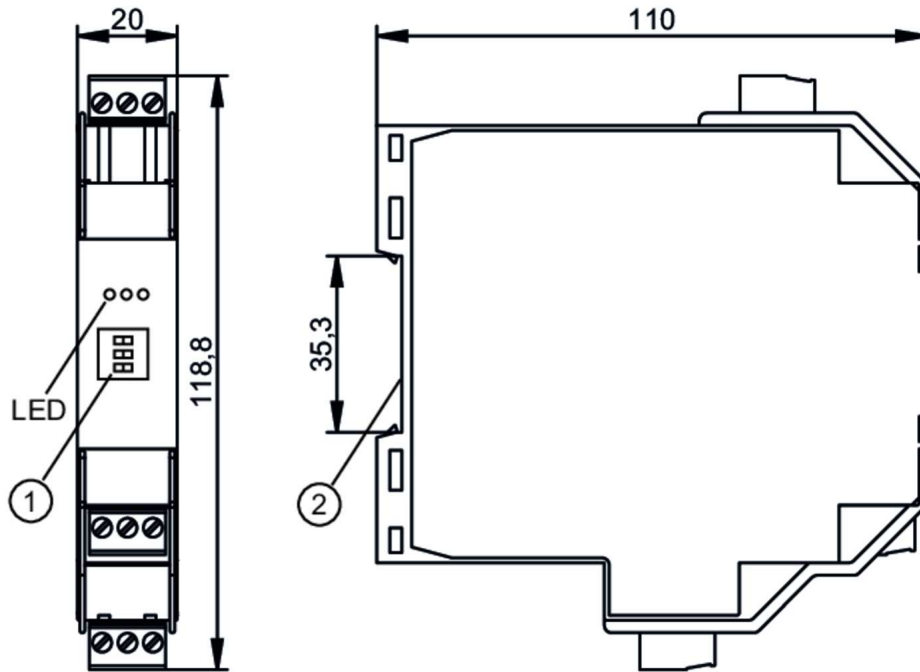


N0030A



Switching amplifiers for Namur sensors

NV1121/115VAC/RL/1D/1G



- 1 selector switch
- 2 Mounting on DIN rail



Application

Application: short-circuit monitoring; Wire break monitoring

Electrical data

Operating voltage tolerance	[%]	-10...10
Operating voltage	[V]	115 AC
Max. power consumption	[VA]	1
Number of channels		1

Outputs

Electrical design	Relay; (1 changeover contact)	
Contact rating	253 V AC / 2 A / cos phi > 0,7 // 40 V DC / 2 A; (resistive load)	
Switching frequency AC	[Hz]	10

Operating conditions

Ambient temperature	[°C]	-20...60
Protection		IP 20

Tests / approvals

Approval	PTB 02 ATEX 2035; IECEx PTB 17.0023	
ATEX marking	II (1) G [Ex ia Ga] IIC II (1) D [Ex ia Da] IIIC	
EMC	EN 50081-2	(1993)
	EN 61326-1	(2006)
MTTF	[years]	458

N0030A



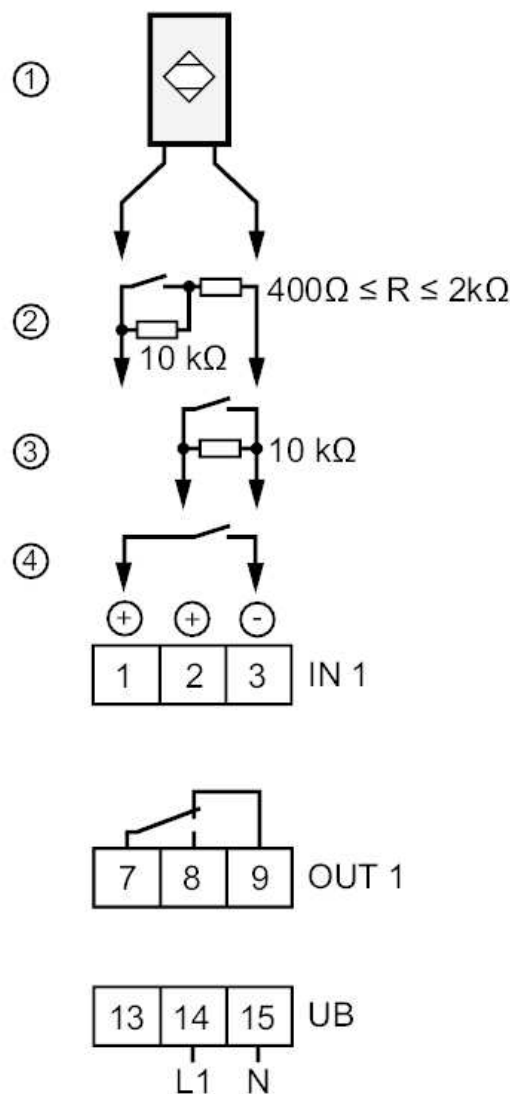
Switching amplifiers for Namur sensors

NV1121/115VAC/RL/1D/1G

Mechanical data		
Weight	[g]	198
Switching cycles mechanical		10 million
Displays / operating elements		
Display	Switching status	LED, yellow
	Power	LED, green
	Function	LED, red
Remarks		
Remarks	Caution The control monitor must be mounted outside the hazardous area.	
	Free terminals must not be used.	
Pack quantity		1 pcs.

Electrical connection	
terminals: ...2.5 mm ²	

Connection



N0030A



Switching amplifiers for Namur sensors

NV1121/115VAC/RL/1D/1G

Other data

Maximum values for control circuit

in protection rating intrinsic safety	[EEx ia] IIC	[EEx ia] IIB	[EEx ib] IIC	[EEx ib] IIB
Voltage [V]	10.6	10.6	10.6	10.6
Current [mA]	19.1	19.1	19.1	19.1
Power [mW]	51	51	51	51
External inductance [mH]	97	390	97	390
External capacitance [μ F]	2.32	16.2	2.32	16.2