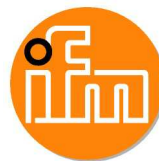
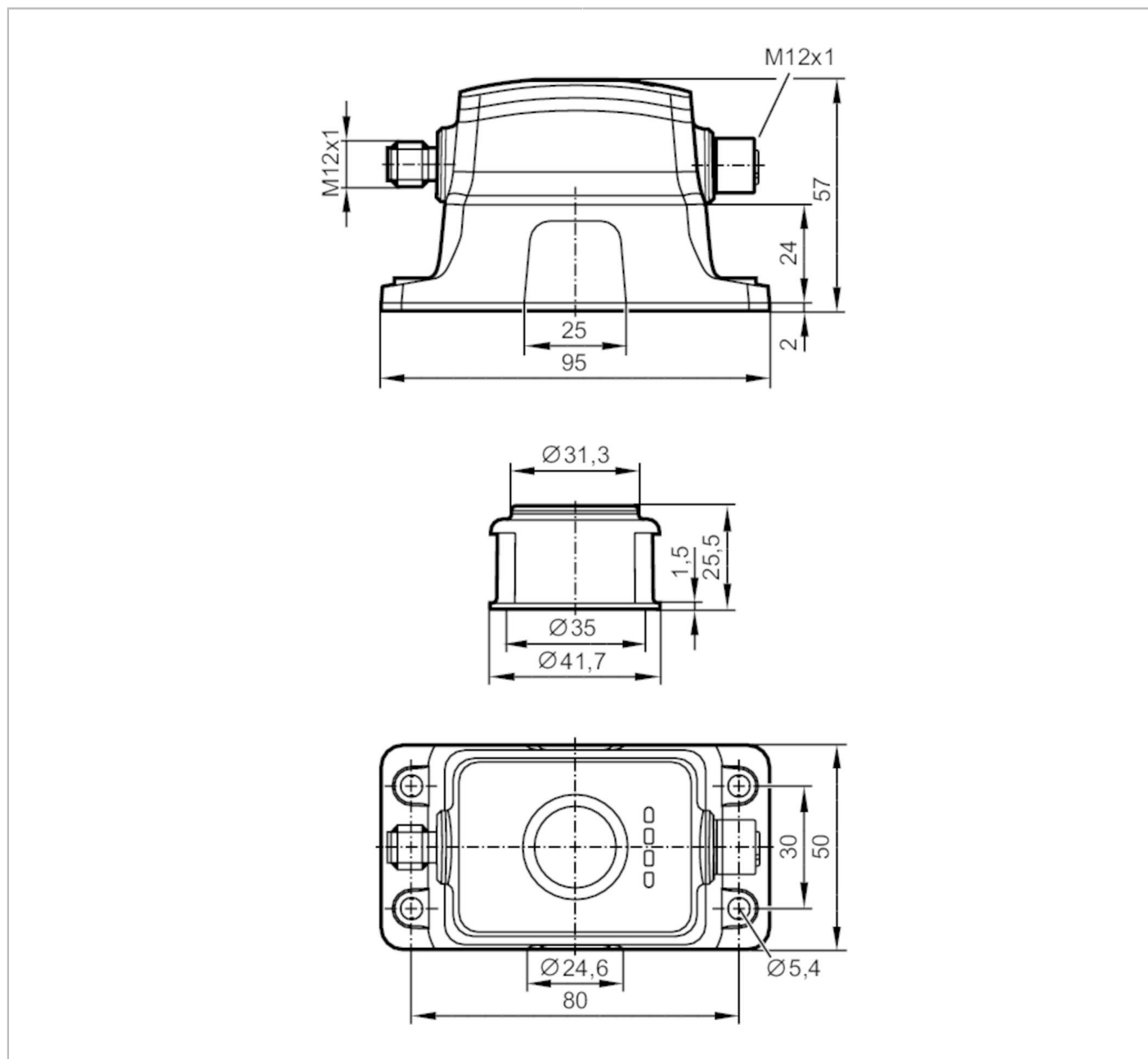


# MVQ201



## Position sensor for valve actuators

SVS SOLENOID OUT



Product characteristics	
Electrical design	PNP
Output function	2 x normally open / normally closed; (selectable)
Communication interface	IO-Link
Housing	rectangular
Dimensions [mm]	95 x 50 x 57
Solenoid valve connection	
Output function	2 x normally open
Application	
Principle of operation	magnetic

# MVQ201



## Position sensor for valve actuators

SVS SOLENOID OUT

Application	angle of rotation detection absolute
<b>Electrical data</b>	
Operating voltage [V]	10...30 DC
Current consumption [mA]	< 40
Protection class	III
Reverse polarity protection	yes
Max. power-on delay time [ms]	300
<b>Inputs / outputs</b>	
Number of inputs and outputs	Number of digital inputs: 1; Number of digital outputs: 2
<b>Inputs</b>	
Number of digital inputs	1
<b>Outputs</b>	
Electrical design	PNP
Number of digital outputs	2
Output function	2 x normally open / normally closed; (selectable)
Max. voltage drop switching output DC [V]	2.5
Max. current load per output [mA]	100
Short-circuit protection	yes
Overload protection	yes
<b>Solenoid valve connection</b>	
Output function	2 x normally open
Max. current load per output [mA]	200
Short-circuit protection	yes
Overload protection	yes
<b>Monitoring range</b>	
Monitoring range [°]	360
<b>Accuracy / deviations</b>	
Accuracy [°]	± 1
Resolution [°]	0.1
Tolerance [°]	0.1...15; (default 10)
Hysteresis [°]	0.1...5; (default 3)
Temperature drift [°/K]	0,02
Repeatability [°]	0,1
<b>Interfaces</b>	
Communication interface	IO-Link
Transmission type	COM2 (38,4 kBaud)
IO-Link revision	1.1
SDCI standard	IEC 61131-9 CDV
Profiles	Smart Sensor: Device Identification; Device Diagnosis; Device Teach Channel; Binary Data Channel; Process Data Variable; Blob; Measurement Data Channel
SIO mode	yes
Required master port class	A

# MVQ201



## Position sensor for valve actuators

SVS SOLENOID OUT

Min. process cycle time [ms]	4	
Supported DeviceIDs	<b>Type of operation</b> default	<b>DeviceID</b> 1190

<b>Operating conditions</b>		
Ambient temperature [°C]	-25...70	
Protection	IP 65; IP 67; (Target puck area dust-protected)	

<b>Tests / approvals</b>		
EMC	EN 61000-4-2	4 kV CD / 8 kV AD
	EN 61000-4-3	10 V/m
	EN 61000-4-4	2 kV
	EN 61000-4-6	10 V
	EN 55011	class B
Vibration resistance	EN 60068-2-6 Fc	1 mm (10...55 Hz) / 1 octave per minute in 3 axes
Shock resistance	EN 60068-2-27 Ea	30 g 11 ms half-sine; 6 shocks each in every direction along the three coordinate axes
MTTF [years]	363	
Embedded software included	yes	
UL approval	UL approval number	S002

<b>Mechanical data</b>		
Weight [g]	192	
Housing	rectangular	
Dimensions [mm]	95 x 50 x 57	
Material	PA	
Tightening torque [Nm]	3	

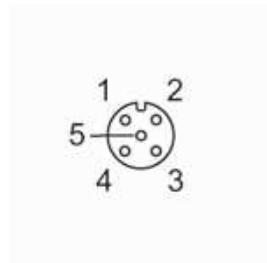
<b>Displays / operating elements</b>		
Display	Power	1 x LED, green
	Switching status	2 x LED, white
		1 x LED, RGB

<b>Accessories</b>		
Items supplied	socket head screws: 4 x M5 x 16, stainless steel	

<b>Remarks</b>		
Pack quantity	1 pcs.	

### Electrical connection - Single solenoid valve

Connector: 1 x M12; coding: A; Moulded body: stainless steel



2	Out SV2
3	GND
4	Out SV1

# MVQ201

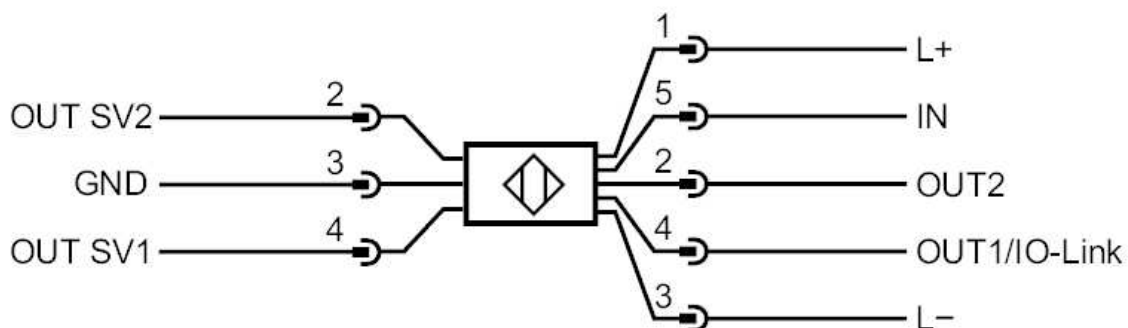


## Position sensor for valve actuators

SVS SOLENOID OUT

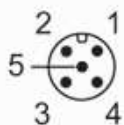
### Electrical connection

#### Connection



### Electrical connection - Process connection

Connector: 1 x M12; coding: A; Moulded body: stainless steel



1	Ub
2	Out2
3	GND
4	Out1 IO-Link
5	In1

### Other data

#### Inputs

Operating mode	12 V	24 V
Switching level high	6...30 V	15...30 V
Switching level low	0...2 V	0...5 V