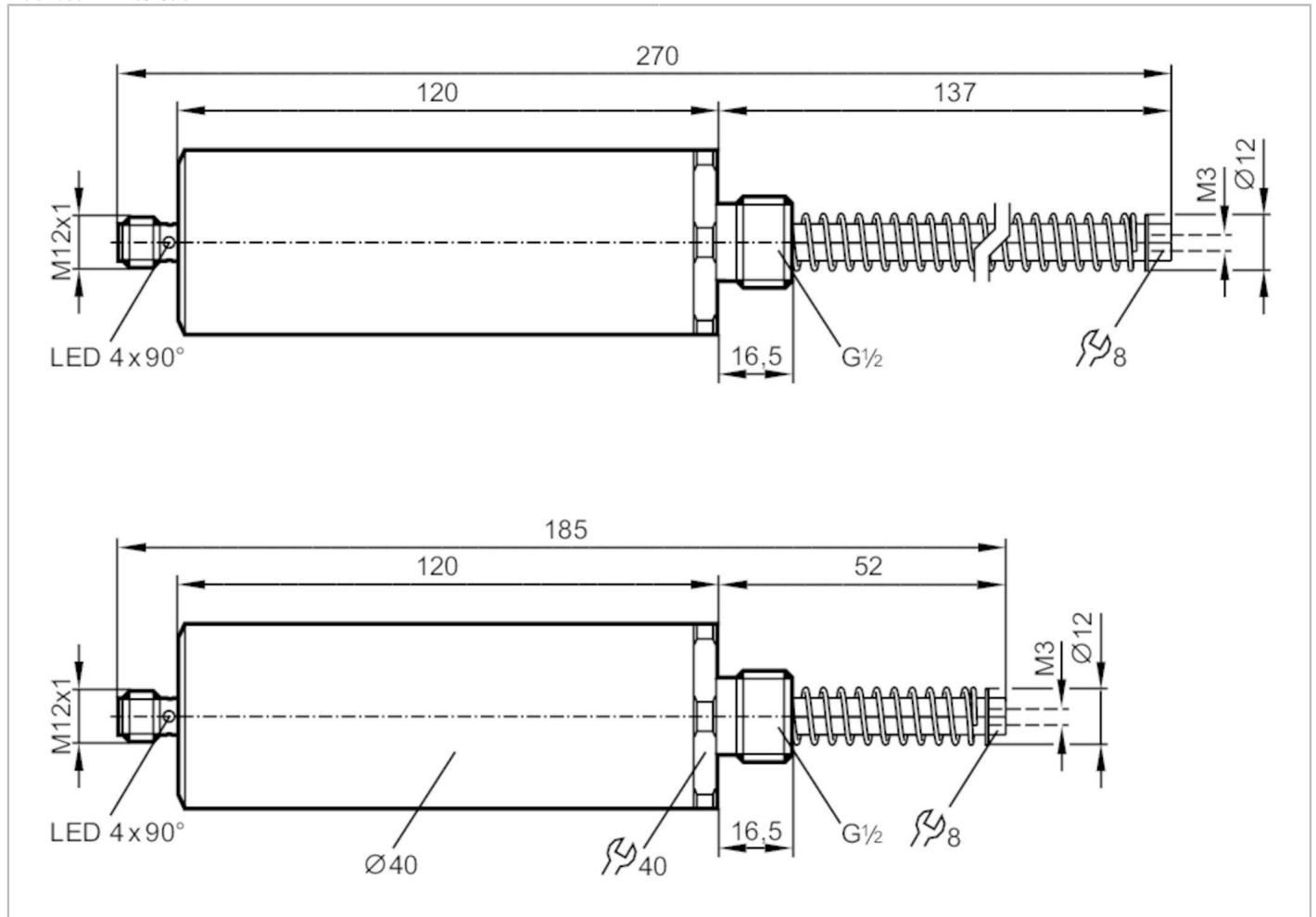


# M95009



Magnetic sensor with three switch points for monitoring locked states

M9G4085PARKGIAIUS



Product characteristics	
Output function	2 x normally closed, 1 x normally open
Dimensions [mm]	Ø 40
Application	
System	gold-plated contacts
Electrical data	
Operating voltage [V]	10...36 DC; (cULus - Class 2 source required)
Protection class	III
Reverse polarity protection	yes
Outputs	
Output function	2 x normally closed, 1 x normally open
Max. voltage drop switching output DC [V]	5.4
Minimum load current [mA]	2
Max. leakage current [mA]	0.5
Permanent current rating of switching output DC [mA]	100
Switching frequency DC [Hz]	0.5

# M95009



## Magnetic sensor with three switch points for monitoring locked states

M9G4085PARKG/A/US

Short-circuit protection	yes
Overload protection	yes

### Monitoring range

Measuring range [mm]	52...137
----------------------	----------

### Accuracy / deviations

Hysteresis [mm]	0.5
-----------------	-----

### Operating conditions

Ambient temperature [°C]	-40...70
Protection	IP 20; IP 67; (plunger side: IP 20; connector side: IP 67)

### Tests / approvals

EMC	EN 61000-4-2 ESD	4 kV CD / 8 kV AD
	EN 61000-4-3 HF radiated	3 V/m
	EN 61000-4-4 Burst	2 kV
	EN 61000-4-6 HF conducted	10 V
	EN 55011 emission	class B
	IEC 60255-5	4 kV line to line, Ri: 500 Ohm
MTTF [years]	277	
UL approval	UL approval number	C002

### Mechanical data

Weight [g]	691
Dimensions [mm]	Ø 40
Material	brass white bronze coated; plunger: stainless steel; LED window: PA
Tightening torque [Nm]	< 20

### Displays / operating elements

Display	Switching status	4 x 90° LED, yellow OUT 1
	Switching status	4 x 90° LED, red OUT 3

### Remarks

Remarks	Factory setting: all outputs / LEDs switch on/off / flash
Pack quantity	1 pcs.

### Electrical connection - plug

Connector: 1 x M12; coding: A; Contacts: gold-plated



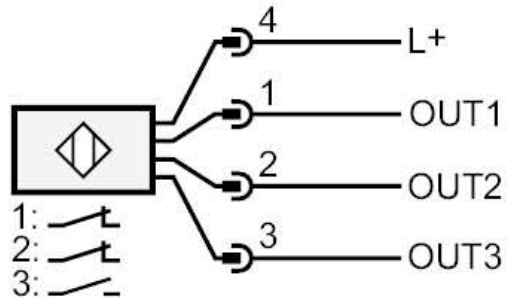
# M95009



## Magnetic sensor with three switch points for monitoring locked states

M9G4085PARKG/A/US

### Connection



OUT1:	locked
OUT2:	partly locked
OUT3:	unlocked