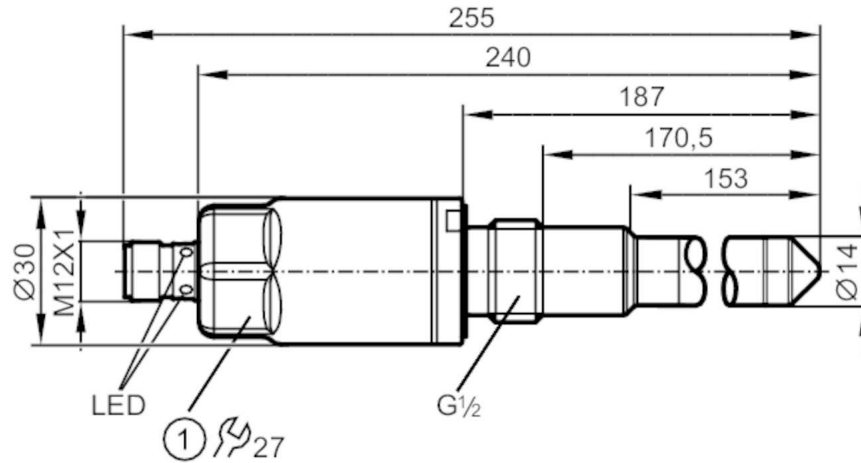


# LX0020



## Sensor for point level detection

LMDCE-A12E-QSKG-2/US



1 Tightening torque 20...25 Nm



### Product characteristics

Number of inputs and outputs	Number of digital outputs: 2
Factory setting	oil-based media
Process connection	G 1/2 external thread

### Application

System	gold-plated contacts
Media	Liquids
Recommended media	Refrigerants (Freon: R134a, R22, R717); oils; oil-based media
Probe length [mm]	153
Tank pressure [bar]	-1...40

### Oil

Medium temperature [°C]	-20...100
-------------------------	-----------

### Water

Medium temperature [°C]	-20...85
-------------------------	----------

### Electrical data

Operating voltage [V]	18...30 DC
Current consumption [mA]	< 50
Protection class	III
Reverse polarity protection	yes

### Inputs / outputs

Number of inputs and outputs	Number of digital outputs: 2
------------------------------	------------------------------

### Outputs

Total number of outputs	2
Output signal	switching signal; IO-Link
Electrical design	PNP/NPN
Number of digital outputs	2
Output function	normally open / closed; (configurable)

# LX0020



## Sensor for point level detection

LMDCE-A12E-QSKG-2/US

Max. voltage drop switching output DC [V]	2.5
Permanent current rating of switching output DC [mA]	100
Short-circuit protection	yes
Type of short-circuit protection	yes (non-latching)
Overload protection	yes

### Measuring/setting range

Factory setting	oil-based media
-----------------	-----------------

### Reaction times

Response time [s]	< 0.5
-------------------	-------

### Interfaces

Communication interface	IO-Link				
Transmission type	COM2 (38,4 kBaud)				
IO-Link revision	1.1				
SDCI standard	IEC 61131-9				
Profiles	Smart Sensor: Process Data Variable; Device Identification				
SIO mode	yes				
Required master port class	A				
Process data analog	1				
Process data binary	2				
Min. process cycle time [ms]	2.3				
Supported DeviceIDs	<table><thead><tr><th>Type of operation</th><th>DeviceID</th></tr></thead><tbody><tr><td>default</td><td>586</td></tr></tbody></table>	Type of operation	DeviceID	default	586
Type of operation	DeviceID				
default	586				

### Operating conditions

Ambient temperature [°C]	-20...85
Note on ambient temperature	Medium temperature: < 100 °C
Storage temperature [°C]	-40...85
Protection	IP 68; IP 69K

### Tests / approvals

EMC	DIN EN 61000-6-2	
	DIN EN 61000-6-4	: closed tanks
Shock resistance	DIN EN 60068-2-27	50 g (11 ms)
Vibration resistance	DIN EN 60068-2-6	8 g (10...2000 Hz)
MTTF [years]		222
UL approval	UL approval number	H001

### Mechanical data

Weight [g]	279.5
Material	stainless steel (1.4404 / 316L); stainless steel (1.4571/316Ti ); PEEK; PEI; CR
Materials (wetted parts)	stainless steel (1.4404 / 316L); stainless steel (1.4571/316Ti ); PEEK; surface characteristics: Ra < 0,8 / Rz 4; CR
Process connection	G 1/2 external thread

# LX0020



## Sensor for point level detection

LMDCE-A12E-QSKG-2/US

### Displays / operating elements

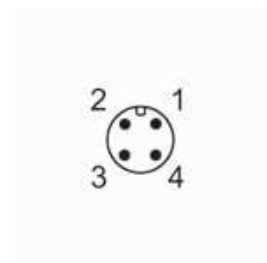
Display	Switching status	LED, yellow
	operating status	LED, green

### Remarks

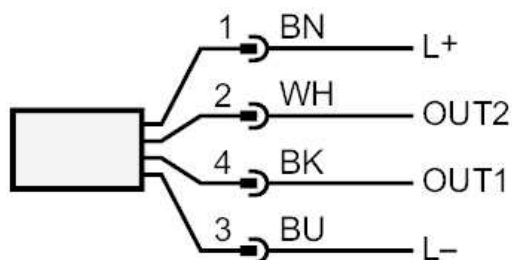
Pack quantity	1 pcs.
---------------	--------

### Electrical connection

Connector: 1 x M12; coding: A; Contacts: gold-plated



### Connection



OUT1: Switching output IO-Link Teach  
OUT2: Switching output

Colors to DIN EN 60947-5-2

Core colors :

BK = black  
BN = brown  
BU = blue  
WH = white