

LW2120

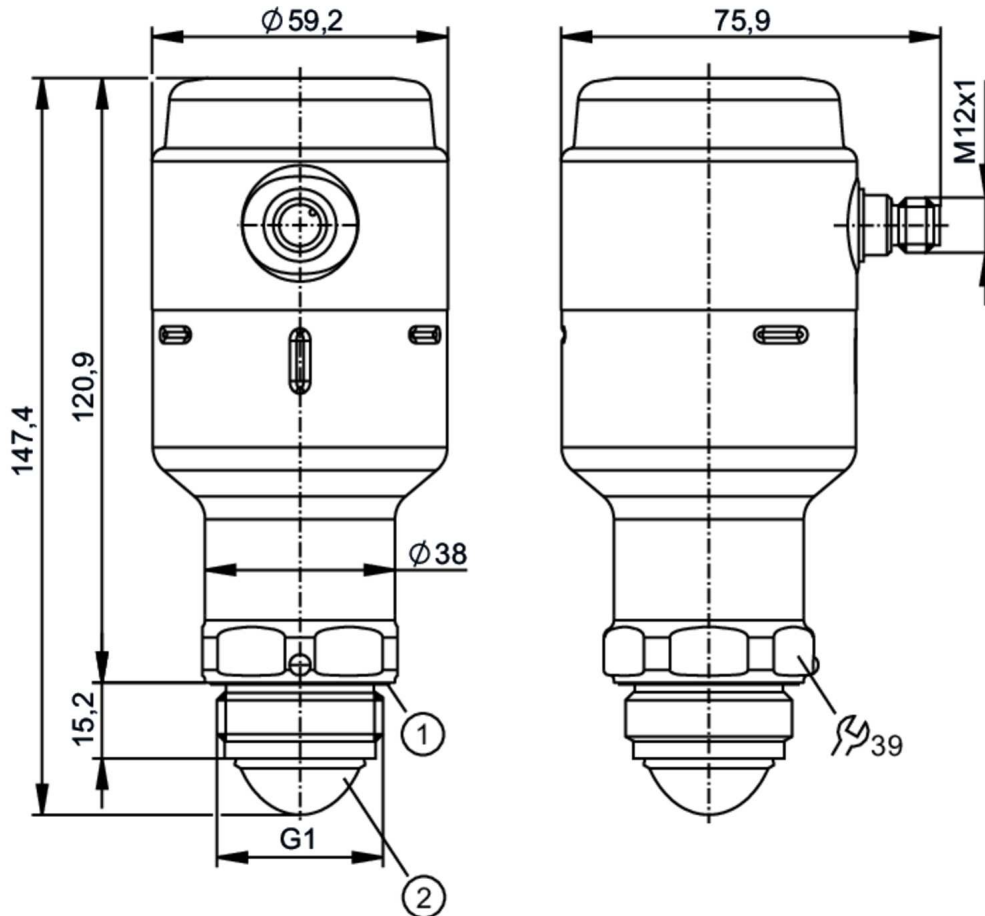


Continuous level sensor

NON-CONTACT LEVEL TRANSMITTER

An IO-Link master and a parameter setting software (e.g. moneo or LR DEVICE) are required for initial set-up.

For high process temperatures: The temperature at the process connection is decisive. The actual medium temperature may be higher. use according to FDA compliance only in conjunction with a hygienic adapter



- 1 sealing
- 2 Antenna



Product characteristics

Number of inputs and outputs	Number of digital outputs: 1; Number of analog outputs: 1
Process connection	G 1 Aseptoflex Vario

Application

System	gold-plated contacts
Dielectric constant of the medium	≥ 2
Recommended media	water; water-based media
Process temperature [°C]	-40...150; (see diagram and note under remarks)
Maximum speed of the change of level [mm/s]	200
Pressure rating [bar]	8
Note on pressure rating	0 bar at medium temperature < - 20 C

LW2120



Continuous level sensor

NON-CONTACT LEVEL TRANSMITTER

Vacuum resistance	[mbar]	-1000
MAWP (for applications according to CRN)	[bar]	8
Radio approval for		EU/RED; United Kingdom; South Korea; USA; Canada; Australia; New Zealand; Vietnam; Singapore
Note on radio approval		The list of countries applying the European Radio Equipment Directive 2014/53/EU (RED) can be found under "Downloads".

Electrical data		
Operating voltage	[V]	18...30 DC
Current consumption	[mA]	< 80
Protection class		III
Reverse polarity protection		yes
Power-on delay time	[s]	< 15
Measuring principle		FMCW (80 GHz technology); frequency range 77 - 81 Hz

Inputs / outputs	
Number of inputs and outputs	Number of digital outputs: 1; Number of analog outputs: 1

Outputs		
Total number of outputs		2
Output signal		switching signal; analog signal; IO-Link
Electrical design		PNP/NPN
Number of digital outputs		1; (2 configurable)
Output function		normally open / closed; (configurable)
Max. voltage drop switching output DC	[V]	2.5
Permanent current rating of switching output DC	[mA]	50
Number of analog outputs		1
Analog current output	[mA]	4...20, invertible; (scalable)
Max. load	[Ω]	43,5 * (U _b - 18) + 600 Ω
Short-circuit protection		yes
Type of short-circuit protection		yes (non-latching)
Overload protection		yes

Measuring/setting range		
Measuring range	[m]	10; (see diagram:)
Sampling rate	[Hz]	> 3

Accuracy / deviations		
Accuracy		± 2 mm
Resolution	[mm]	1
Zero signal (current)	[mA]	3.8
Full signal (current)	[mA]	20.5
Temperature drift per 10 K		± 1 mm

Reaction times		
Response time	[ms]	330

LW2120



Continuous level sensor

NON-CONTACT LEVEL TRANSMITTER

Interfaces		
Communication interface	IO-Link	
Transmission type	COM2 (38,4 kBaud)	
IO-Link revision	1.1	
SDCI standard	IEC 61131-9	
Profiles	Smart Sensor ED2: SSCs (0x8001), Measuring Sensor (0x000A)	
SIO mode	yes	
Required master port class	A	
Process data analog	1	
Process data binary	2	
Min. process cycle time [ms]	6	
Supported DeviceIDs	Type of operation	DeviceID
	default	1532
Operating conditions		
Ambient temperature [°C]	-40...80	
Note on ambient temperature	see diagram:	
Storage temperature [°C]	-40...90	
Protection	IP 68; IP 69K	
Tests / approvals		
EMC	DIN EN 61326-1	group 1: Class A (IO-Link active); B (IO-Link not active, with analog and switching outputs)
Shock resistance	DIN EN 60068-2-27	50 g (11 ms) / 20 g (6 ms)
Vibration resistance	IEC 61298-3	2 g (10...1000 Hz)
MTTF [years]	330	
Mechanical data		
Weight [g]	723.8	
Material	stainless steel (1.4404 / 316L); PA; FKM; FVMQ	
Materials (wetted parts)	PTFE; EPDM; FVMQ when used without Aseptoflex Vario adapter	
Process connection	G 1 Aseptoflex Vario	
Surface characteristics Ra/Rz of the wetted parts	< 0.76	
Remarks		
Notes	An IO-Link master and a parameter setting software (e.g. moneo or LR DEVICE) are required for initial set-up.; For high process temperatures: The temperature at the process connection is decisive. The actual medium temperature may be higher.; use according to FDA compliance only in conjunction with a hygienic adapter	
Pack quantity	1 pcs.	

LW2120

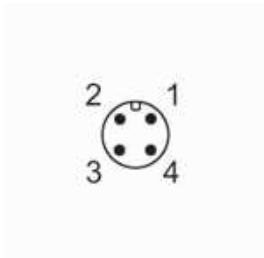


Continuous level sensor

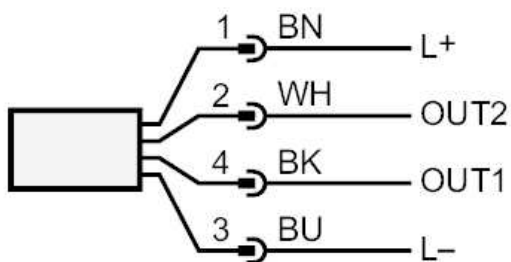
NON-CONTACT LEVEL TRANSMITTER

Electrical connection

Connector: 1 x M12; coding: A; Contacts: gold-plated



Connection



OUT1: Switching output IO-Link
OUT2: Switching output analog output
Colors to DIN EN 60947-5-2

Core colors :

BK = black
BN = brown
BU = blue
WH = white

LW2120

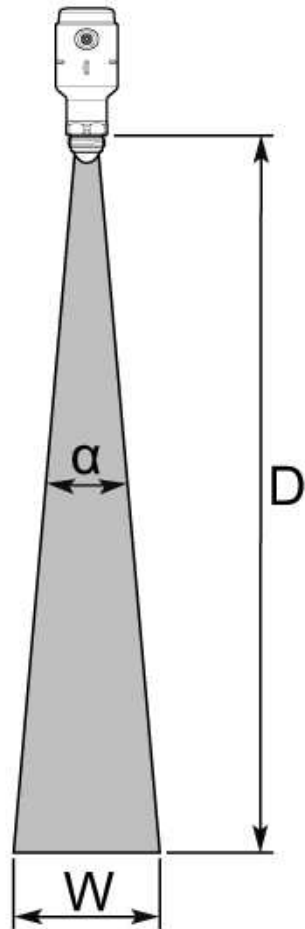


Continuous level sensor

NON-CONTACT LEVEL TRANSMITTER

Diagrams and graphs

Angle of radiation



distance
(D) Beam width (W) 8° (with antenna extension) / 10° (without antenna extension)

2 m 0.3 m / 0.4 m

4 m 0.6 m / 0.7 m

6 m 0.8 m / 1.1 m

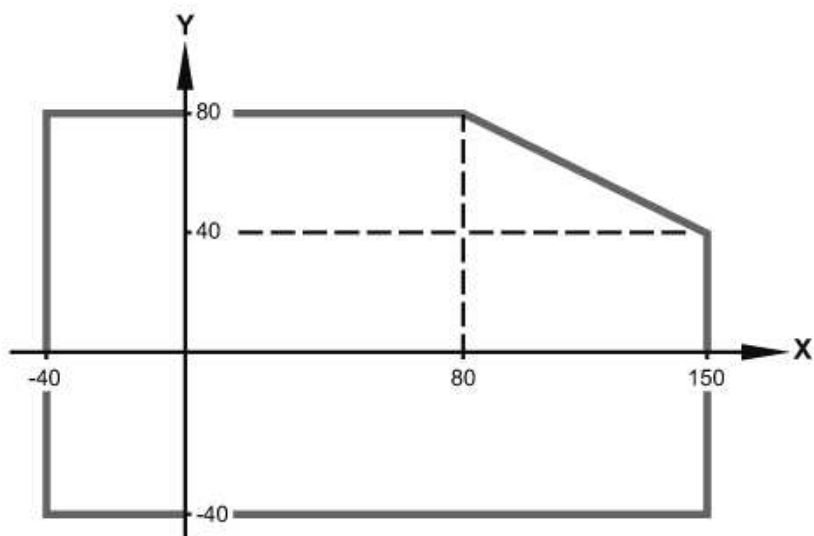
8 m 1.1 m / 1.4 m

10 m 1.4 m / 1.8 m

LW2120

Continuous level sensor

NON-CONTACT LEVEL TRANSMITTER



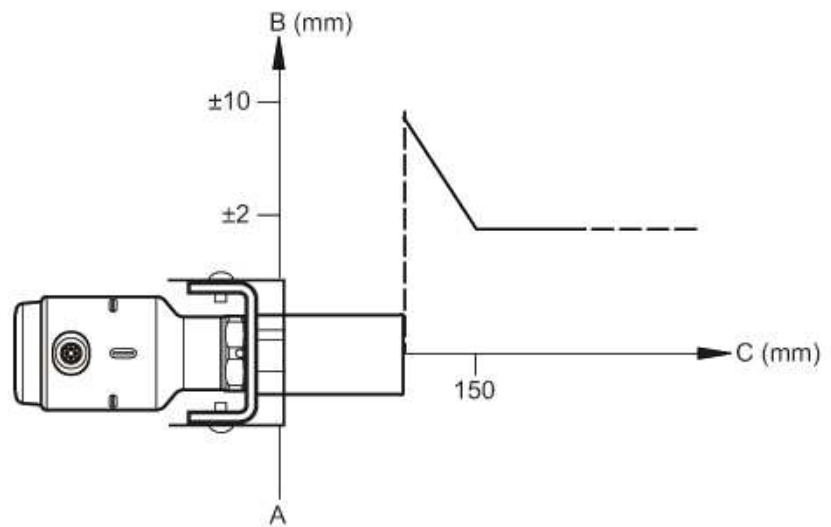
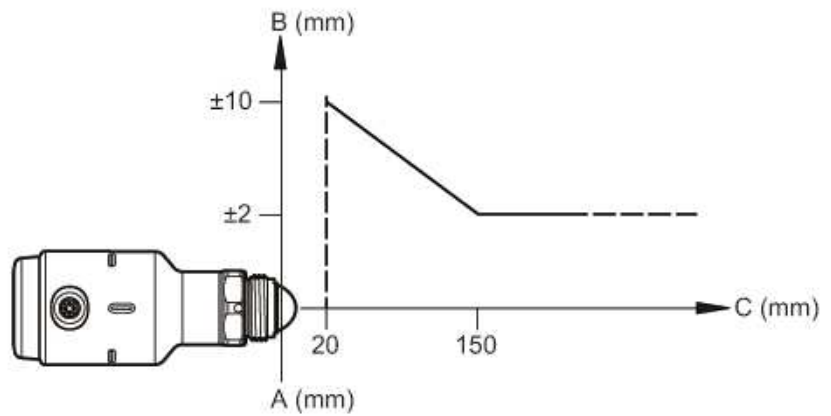
X process temperature °C

Y Ambient temperature °C

LW2120

Continuous level sensor

NON-CONTACT LEVEL TRANSMITTER



- A device reference point
- B Accuracy
- C distance