

LR8320

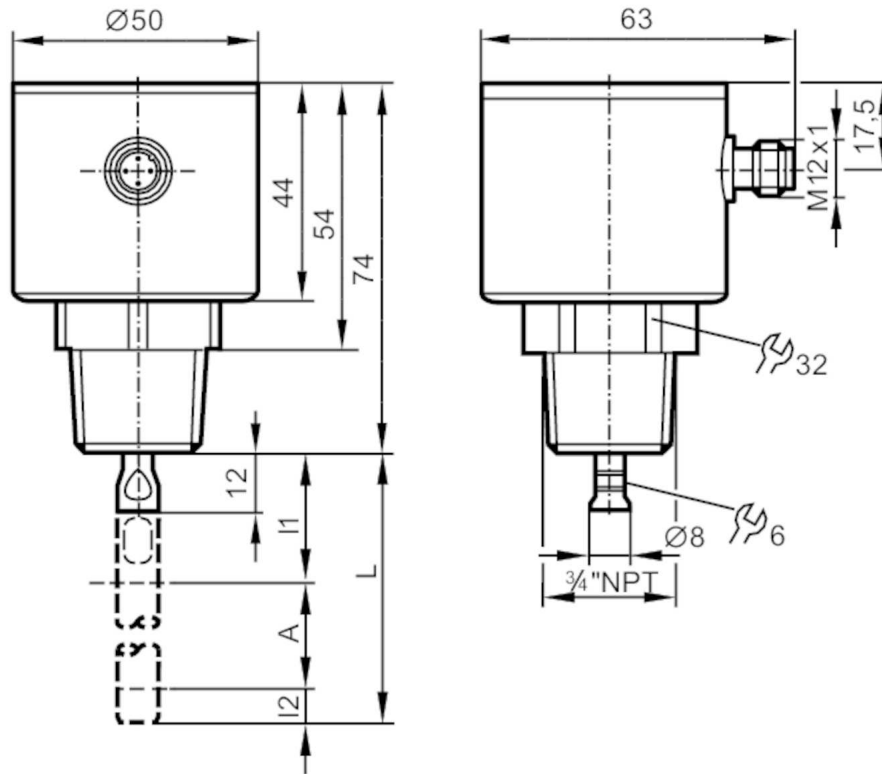


Continuous level sensor (guided wave radar)

LR0000--BN34ASPKG/US

For high process temperatures: The temperature at the process connection is decisive. The actual medium temperature may be higher.

For 8-wire cordsets the core colors are not standardized.
Please note the wiring of the sensor and the cordsets (see data sheet).
Please see the technical note under "Downloads"



A Active zone
I1 / I2 Inactive ranges



Product characteristics

Number of inputs and outputs	Number of digital outputs: 4
Probe length L [mm]	100...2000
Process connection	threaded connection 3/4" NPT external thread

Application

System	gold-plated contacts
Application	for industrial applications
Media	Liquids
Dielectric constant of the medium	> 5
Recommended media	water; water-based media
Process temperature [°C]	-25...80; (90 < 1 h ; see note under remarks)
Pressure rating [bar]	16
Vacuum resistance [mbar]	-1000

LR8320



Continuous level sensor (guided wave radar)

LR0000--BN34ASPKG/US

Electrical data	
Operating voltage [V]	18...30 DC
Current consumption [mA]	< 25
Protection class	III
Reverse polarity protection	yes
Power-on delay time [s]	< 3
Measuring principle	guided wave radar
Inputs / outputs	
Number of inputs and outputs	Number of digital outputs: 4
Outputs	
Total number of outputs	4
Output signal	switching signal; IO-Link
Electrical design	PNP/NPN
Number of digital outputs	4
Output function	normally open / closed; (configurable)
Max. voltage drop switching output DC [V]	2.5
Permanent current rating of switching output DC [mA]	200
Short-circuit protection	yes
Type of short-circuit protection	yes (non-latching)
Overload protection	yes
Measuring/setting range	
Probe length L [mm]	100...2000
Active range A [mm]	L-40
Inactive range I1 / I2 [mm]	30 / 10
Sampling rate [Hz]	4
Setting range	
Set point SP [mm]	15...L-30
Reset point rP [mm]	10... L-35
In steps of [mm]	5
Hysteresis [mm]	> 5
Accuracy / deviations	
Repeatability [mm]	5
Measuring error [mm]	± 7
Offset error [mm]	5
Resolution [mm]	1
Temperature drift per 10 K	± 0.2 %
Interfaces	
Communication interface	IO-Link
Transmission type	COM2 (38,4 kBaud)
IO-Link revision	1.1
SDCI standard	IEC 61131-9

LR8320



Continuous level sensor (guided wave radar)

LR0000--BN34ASPKG/US

Profiles	Smart Sensor: Process Data Variable; Device Identification, Device Diagnosis	
SIO mode	yes	
Required master port class	A	
Process data analog	3	
Process data binary	4	
Min. process cycle time [ms]	3.2	
Supported DeviceIDs	Type of operation	DeviceID
	default	979

Operating conditions		
Ambient temperature [°C]	-25...60	
Storage temperature [°C]	-40...85	
Protection	IP 68; IP 69K; (7 days / 1 m water depth / 0.1 bar: IP 68)	

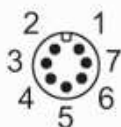
Tests / approvals		
EMC	DIN EN 61000-6-2	
	DIN EN 61000-6-3	: in a closed metal tank
	DIN EN 61000-6-4	: in plastic or open metal tanks
Shock resistance	DIN EN 60068-2-27	50 g (11 ms) / 25 g (6 ms) with reference rod 0.5 m
Vibration resistance	DIN EN 60068-2-6	5 g (10...2000 Hz) / 1 g (5...200 Hz) with reference rod 0.5 m
MTTF [years]	242	
UL approval	UL approval number	H011
	File number UL	E174191

Mechanical data		
Weight [g]	444.8	
Material	stainless steel (1.4301 / 304); stainless steel (1.4404 / 316L); FKM; PEI	
Materials (wetted parts)	stainless steel (1.4305 / 303); probe connection: stainless steel (1.4435 / 316L); PTFE; FKM	
Process connection	threaded connection 3/4" NPT external thread	

Remarks		
Notes	For high process temperatures: The temperature at the process connection is decisive. The actual medium temperature may be higher.	
Pack quantity	1 pcs.	

Electrical connection - plug

Connector: 1 x M12; coding: A; Contacts: gold-plated



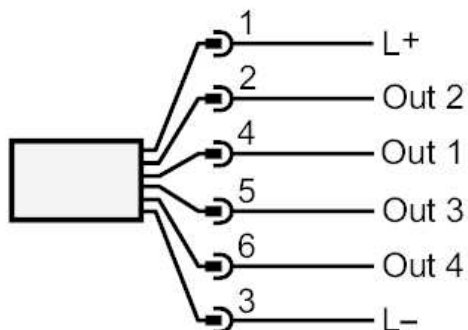
LR8320



Continuous level sensor (guided wave radar)

LR0000--BN34ASPKG/US

Connection



OUT1 : switching output or IO-Link
OUT2...4 : Switching output

Diagrams and graphs

Measurement deviation D at the limits of the active rod range

