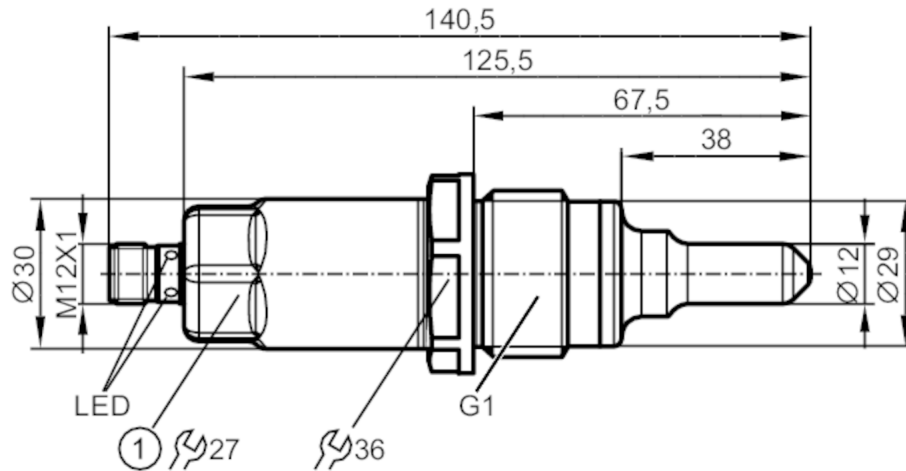


LMT302



Sensor for point level detection

LMCCE-A01E-QSKG-2/US



1 Tightening torque 35 Nm

ACS CE EC 1935/2004 FDA KTW/W270 UK CA

Product characteristics

Number of inputs and outputs	Number of digital outputs: 2
Factory setting	water-based media
Process connection	G 1 external thread

Application

System	gold-plated contacts
Installation	suited for installation in existing tuning fork adapters
Media	Liquids; viscous media; powder
Recommended media	water; water-based media; oils; oil-based media; powder
Cannot be used for	See the operating instructions, chapter "Function and features".
Probe length [mm]	38
Tank pressure [bar]	-1...40

Oil	
Medium temperature [°C]	-20...100
Medium temperature short time [°C]	-20...150; (1 h)

Water	
Medium temperature [°C]	-20...100
Medium temperature short time [°C]	-20...150; (1 h)

Electrical data

Operating voltage [V]	18...30 DC
Current consumption [mA]	< 50
Protection class	III
Reverse polarity protection	yes
Measuring principle	capacitive

Inputs / outputs

Number of inputs and outputs	Number of digital outputs: 2
------------------------------	------------------------------

LMT302



Sensor for point level detection

LMCCE-A01E-QSKG-2/US

Outputs		
Total number of outputs	2	
Output signal	switching signal; IO-Link	
Electrical design	PNP/NPN	
Number of digital outputs	2	
Output function	normally open / closed; (configurable)	
Max. voltage drop switching output DC [V]	2.5	
Permanent current rating of switching output DC [mA]	100	
Short-circuit protection	yes	
Type of short-circuit protection	yes (non-latching)	
Overload protection	yes	
Measuring/setting range		
Factory setting	water-based media	
Reaction times		
Response time [s]	< 0.5	
Interfaces		
Communication interface	IO-Link	
Transmission type	COM2 (38,4 kBaud)	
IO-Link revision	1.1	
SDCI standard	IEC 61131-9	
Profiles	Smart Sensor: Process Data Variable; Device Identification	
SIO mode	yes	
Required master port class	A	
Process data analog	1	
Process data binary	2	
Min. process cycle time [ms]	2.3	
Supported DeviceIDs	Type of operation	DeviceID
	default	370
Operating conditions		
Ambient temperature [°C]	-20...85	
Note on ambient temperature	Medium temperature: < 100 °C -20...60 °C Medium temperature: < 150 °C	
Storage temperature [°C]	-40...85	
Protection	IP 68; IP 69K	
Tests / approvals		
EMC	DIN EN 61000-6-2	: 2006
	DIN EN 61000-6-4	: 2011 / open tanks
	DIN EN 61000-6-3	: 2011 / closed tanks
Shock resistance	DIN EN 60068-2-27	50 g (11 ms)
Vibration resistance	DIN EN 60068-2-6	20 g (10...2000 Hz)
MTTF [years]	223	

LMT302



Sensor for point level detection

LMCCE-A01E-QSKG-2/US

UL approval	UL approval number	H001
-------------	--------------------	------

Mechanical data

Weight	[g]	391
Dimensions	[mm]	Ø 30 / L = 125.5
Material		stainless steel (1.4404 / 316L); PEEK; PEI; FKM
Materials (wetted parts)		PEEK; surface characteristics: Ra < 0,8 / Rz 4
Process connection		G 1 external thread

Displays / operating elements

Display	Switching status	LED, yellow
	operating status	LED, green

Remarks

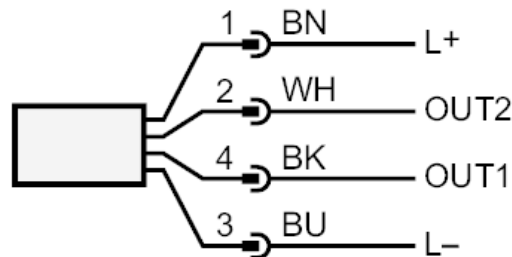
Pack quantity	1 pcs.
---------------	--------

Electrical connection

Connector: 1 x M12; coding: A; Contacts: gold-plated



Connection



OUT1: Switching output IO-Link Teach
OUT2: Switching output
Colors to DIN EN 60947-5-2