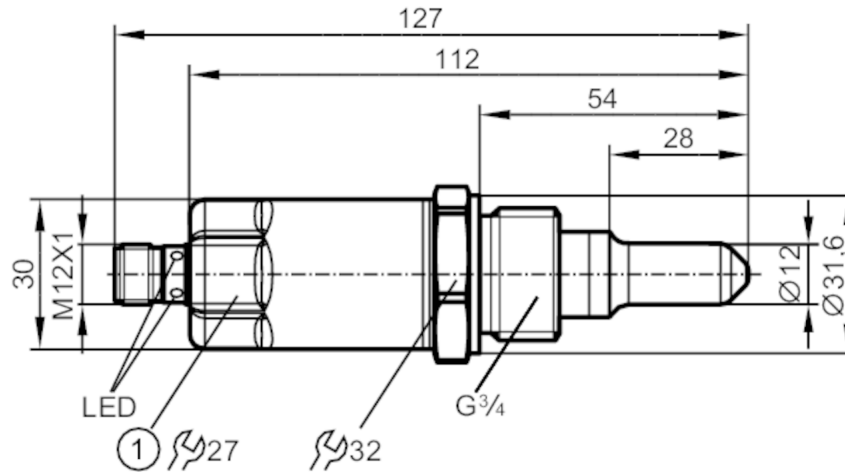


LMT292



Sensor for point level detection

LMBCE-A34E-QPKG-2/US



1 Tightening torque 35 Nm



Product characteristics

Number of inputs and outputs	Number of digital outputs: 2
Factory setting	water-based media
Process connection	G 3/4 external thread

Application

System	gold-plated contacts
Installation	suited for installation in existing tuning fork adapters
Media	Liquids
Recommended media	water; water-based media; oils; oil-based media
Cannot be used for	See the operating instructions, chapter "Function and features".
Probe length [mm]	28
Tank pressure [bar]	-1...40; (Applications according to the German Federal Water Act (WHG): -0,5...10 bar)

Oil	
Medium temperature [°C]	-25...100; (Applications according to the German Federal Water Act (WHG) 0...100 °C)
Medium temperature short time [°C]	-25...150; (1 h; Applications according to the German Federal Water Act (WHG): 0...100 °C)
Water	
Medium temperature [°C]	-25...85; (Applications according to the German Federal Water Act (WHG): 0...85 °C)
Medium temperature short time [°C]	-25...150; (1 h; Applications according to the German Federal Water Act (WHG): 0...100 °C)

Electrical data

Operating voltage [V]	18...30 DC
Current consumption [mA]	< 50
Protection class	III
Reverse polarity protection	yes
Measuring principle	capacitive

LMT292



Sensor for point level detection

LMBCE-A34E-QPKG-2/US

Inputs / outputs					
Number of inputs and outputs	Number of digital outputs: 2				
Outputs					
Total number of outputs	2				
Output signal	switching signal; IO-Link				
Electrical design	PNP				
Number of digital outputs	2				
Max. voltage drop switching output DC [V]	2.5				
Permanent current rating of switching output DC [mA]	100				
Short-circuit protection	yes				
Type of short-circuit protection	yes (non-latching)				
Overload protection	yes				
Measuring/setting range					
Factory setting	water-based media				
Reaction times					
Response time [s]	< 0.5				
Interfaces					
Communication interface	IO-Link				
Transmission type	COM2 (38,4 kBaud)				
IO-Link revision	1.1				
SDCI standard	IEC 61131-9				
Profiles	Smart Sensor: Process Data Variable; Device Identification				
SIO mode	yes				
Required master port class	A				
Process data analog	1				
Process data binary	2				
Min. process cycle time [ms]	2.3				
Supported DeviceIDs	<table border="1"><thead><tr><th>Type of operation</th><th>DeviceID</th></tr></thead><tbody><tr><td>default</td><td>449</td></tr></tbody></table>	Type of operation	DeviceID	default	449
Type of operation	DeviceID				
default	449				
Operating conditions					
Ambient temperature [°C]	-20...85				
Note on ambient temperature	Medium temperature 100...150 °C -40...60 °C				
Storage temperature [°C]	-40...85				
Protection	IP 68; IP 69K				
Tests / approvals					
Approval	WHG; General building authority approval; overflow prevention				
EMC	DIN EN 61000-6-2				
	DIN EN 61000-6-4	open tanks			
	DIN EN 61000-6-3	closed tanks			
Shock resistance	DIN EN 60068-2-27	50 g (11 ms)			
Vibration resistance	DIN EN 60068-2-6	20 g (10...2000 Hz)			

LMT292



Sensor for point level detection

LMBCE-A34E-QPKG-2/US

MTTF	[years]	222.77
------	---------	--------

UL approval	UL approval number	H001
-------------	--------------------	------

Mechanical data

Weight	[g]	295.5
--------	-----	-------

Material	stainless steel (1.4404 / 316L); PEEK; PEI; FKM	
----------	---	--

Materials (wetted parts)	PEEK; surface characteristics: Ra < 0,8 / Rz 4	
--------------------------	--	--

Process connection	G 3/4 external thread	
--------------------	-----------------------	--

Displays / operating elements

Display	Switching status	LED, yellow
---------	------------------	-------------

	operating status	LED, green
--	------------------	------------

Remarks

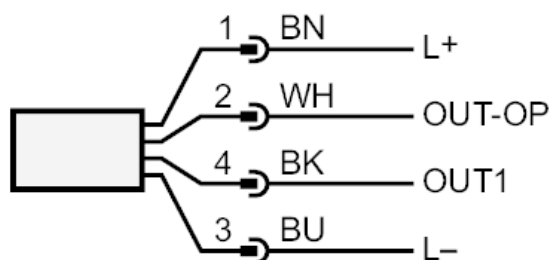
Pack quantity	1 pcs.
---------------	--------

Electrical connection

Connector: 1 x M12; coding: A; Contacts: gold-plated



Connection



OUT1: Switching output
 OUT-OP: Switching output overflow prevention to the German Federal Water Act (WHG)
 Colors to DIN EN 60947-5-2
 Core colors :
 BK = black
 BN = brown
 BU = blue
 WH = white