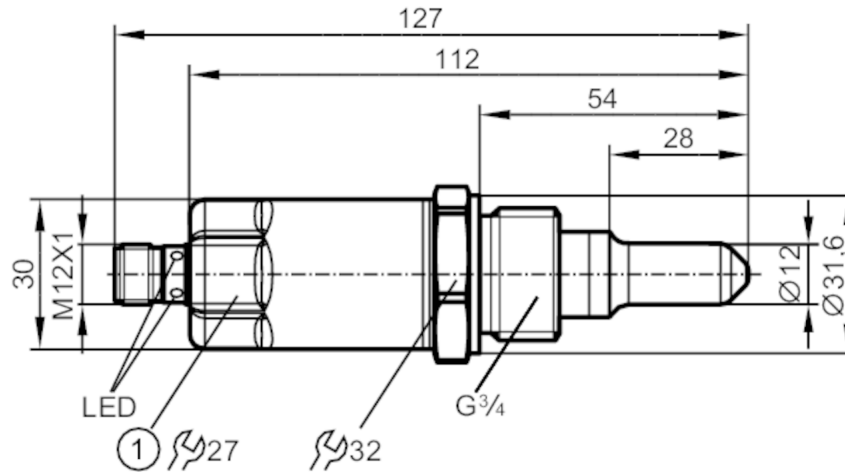


LMT202



Sensor for point level detection

LMBCE-A34E-QSKG-2/US



1 Tightening torque 35 Nm

ACS EC 1935/2004 KTW/W270

Product characteristics

Number of inputs and outputs	Number of digital outputs: 2
Factory setting	water-based media
Process connection	G 3/4 external thread

Application

System	gold-plated contacts
Installation	suited for installation in existing tuning fork adapters
Media	Liquids; viscous media; powder
Recommended media	water; water-based media; oils; oil-based media; powder
Cannot be used for	See the operating instructions, chapter "Function and features".
Probe length [mm]	28
Tank pressure [bar]	-1...40

Oil	
Medium temperature [°C]	-20...100
Medium temperature short time [°C]	-20...150; (1 h)
Water	
Medium temperature [°C]	-20...100
Medium temperature short time [°C]	-20...150; (1 h)

Electrical data

Operating voltage [V]	18...30 DC
Current consumption [mA]	< 50
Protection class	III
Reverse polarity protection	yes
Measuring principle	capacitive

LMT202



Sensor for point level detection

LMBCE-A34E-QSKG-2/US

Inputs / outputs					
Number of inputs and outputs	Number of digital outputs: 2				
Outputs					
Total number of outputs	2				
Output signal	switching signal; IO-Link				
Electrical design	PNP/NPN				
Number of digital outputs	2				
Output function	normally open / closed; (configurable)				
Max. voltage drop switching output DC [V]	2.5				
Permanent current rating of switching output DC [mA]	100				
Short-circuit protection	yes				
Type of short-circuit protection	yes (non-latching)				
Overload protection	yes				
Measuring/setting range					
Factory setting	water-based media				
Reaction times					
Response time [s]	< 0.5				
Interfaces					
Communication interface	IO-Link				
Transmission type	COM2 (38,4 kBaud)				
IO-Link revision	1.1				
SDCI standard	IEC 61131-9				
Profiles	Smart Sensor: Process Data Variable; Device Identification				
SIO mode	yes				
Required master port class	A				
Process data analog	1				
Process data binary	2				
Min. process cycle time [ms]	2.3				
Supported DeviceIDs	<table border="1"><thead><tr><th>Type of operation</th><th>DeviceID</th></tr></thead><tbody><tr><td>default</td><td>370</td></tr></tbody></table>	Type of operation	DeviceID	default	370
Type of operation	DeviceID				
default	370				
Operating conditions					
Ambient temperature [°C]	-20...85				
Note on ambient temperature	Medium temperature: < 100 °C -20...60 °C Medium temperature: < 150 °C				
Storage temperature [°C]	-40...85				
Protection	IP 68; IP 69K				
Tests / approvals					
EMC	DIN EN 61000-6-2				
	DIN EN 61000-6-4	: open tanks			
	DIN EN 61000-6-3	: closed tanks			
Shock resistance	DIN EN 60068-2-27	50 g (11 ms)			

LMT202



Sensor for point level detection

LMBCE-A34E-QSKG-2/US

Vibration resistance	DIN EN 60068-2-6	20 g (10...2000 Hz)
MTTF [years]		223
UL approval	UL approval number	H001

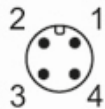
Mechanical data		
Weight [g]		145.7
Dimensions [mm]		Ø 30 / L = 112
Material	stainless steel (1.4404 / 316L); PEEK; PEI; FKM	
Materials (wetted parts)	PEEK; surface characteristics: Ra < 0,8 / Rz 4	
Process connection	G 3/4 external thread	

Displays / operating elements		
Display	Switching status	LED, yellow
	operating status	LED, green

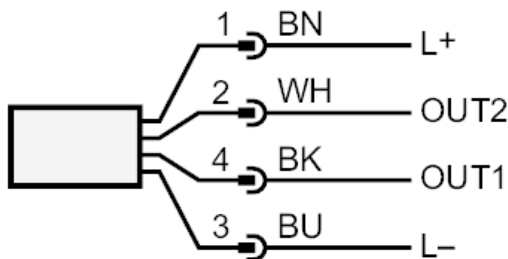
Remarks	
Pack quantity	1 pcs.

Electrical connection

Connector: 1 x M12; coding: A; Contacts: gold-plated



Connection



OUT1: Switching output IO-Link Teach
 OUT2: Switching output
 Colors to DIN EN 60947-5-2