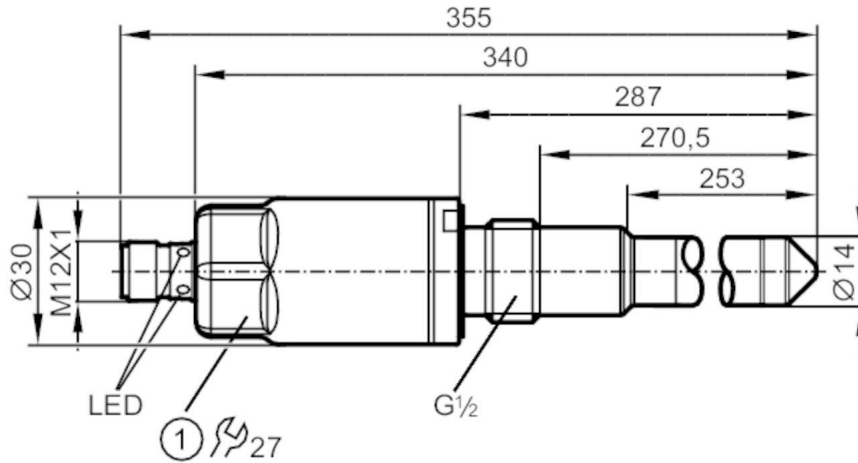


# LMT04A



## Sensor for point level detection in hazardous areas

LMECE-A12E-QSKG-1/US/3D/3G



1 Tightening torque 20...25 Nm



### Product characteristics

Number of inputs and outputs	Number of digital outputs: 2
Factory setting	oils; oil-based media; powder
Process connection	threaded connection G 1/2 sealing cone

### Application

System	gold-plated contacts
Media	Liquids; viscous media; powder
Cannot be used for	See the operating instructions, chapter "Function and features".
Medium temperature [°C]	-20...85
Probe length [mm]	253
Tank pressure [bar]	-1...40

### Electrical data

Operating voltage [V]	18...30 DC
Current consumption [mA]	< 50
Protection class	III
Reverse polarity protection	yes
Measuring principle	capacitive

### Inputs / outputs

Number of inputs and outputs	Number of digital outputs: 2
------------------------------	------------------------------

### Outputs

Total number of outputs	2
Output signal	switching signal; IO-Link
Electrical design	PNP/NPN
Number of digital outputs	2
Output function	normally open / closed; (configurable)
Max. voltage drop switching output DC [V]	2.5

# LMT04A



## Sensor for point level detection in hazardous areas

LMECE-A12E-QSKG-1/US/3D/3G

Permanent current rating of switching output DC [mA]	100
Short-circuit protection	yes
Type of short-circuit protection	yes (non-latching)
Overload protection	yes

### Measuring/setting range

Factory setting	oils; oil-based media; powder
-----------------	-------------------------------

### Reaction times

Response time [s]	< 0.5
-------------------	-------

### Interfaces

Communication interface	IO-Link				
Transmission type	COM2 (38,4 kBaud)				
IO-Link revision	1.1				
SDCI standard	IEC 61131-9				
Profiles	Smart Sensor: Process Data Variable; Device Identification				
SIO mode	yes				
Required master port class	A				
Process data analog	1				
Process data binary	2				
Min. process cycle time [ms]	2.3				
Supported DeviceIDs	<table border="1"> <thead> <tr> <th>Type of operation</th> <th>DeviceID</th> </tr> </thead> <tbody> <tr> <td>default</td> <td>642</td> </tr> </tbody> </table>	Type of operation	DeviceID	default	642
Type of operation	DeviceID				
default	642				

### Operating conditions

Ambient temperature [°C]	-20...60
Storage temperature [°C]	-40...85
Protection	IP 67; (when used outside the hazardous area: IP 68 / IP 69)

### Tests / approvals

ATEX marking	<table border="1"> <tr> <td></td> <td>II 3D Ex tc IIIC T90°C Dc X</td> </tr> <tr> <td></td> <td>II 3G Ex nA IIC T4 Gc X</td> </tr> </table>		II 3D Ex tc IIIC T90°C Dc X		II 3G Ex nA IIC T4 Gc X
	II 3D Ex tc IIIC T90°C Dc X				
	II 3G Ex nA IIC T4 Gc X				
EMC	<table border="1"> <tr> <td>DIN EN 61000-6-2</td> <td></td> </tr> <tr> <td>DIN EN 61000-6-4</td> <td>closed tanks</td> </tr> </table>	DIN EN 61000-6-2		DIN EN 61000-6-4	closed tanks
DIN EN 61000-6-2					
DIN EN 61000-6-4	closed tanks				
Shock resistance	DIN EN 60068-2-27 50 g (11 ms)				
Vibration resistance	DIN EN 60068-2-6 8 g (10...2000 Hz)				
MTTF [years]	223				

### Mechanical data

Weight [g]	362
Material	stainless steel (1.4404 / 316L); stainless steel (1.4571/316Ti); PEEK; PEI; FKM
Materials (wetted parts)	stainless steel (1.4404 / 316L); stainless steel (1.4571/316Ti); PEEK; surface characteristics: Ra < 0,8 / Rz 4; FKM
Process connection	threaded connection G 1/2 sealing cone

### Displays / operating elements

Display	Switching status	LED, yellow
	operating status	LED, green

# LMT04A



## Sensor for point level detection in hazardous areas

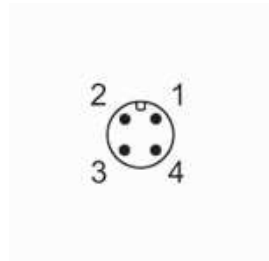
LMECE-A12E-QSKG-1/US/3D/3G

### Remarks

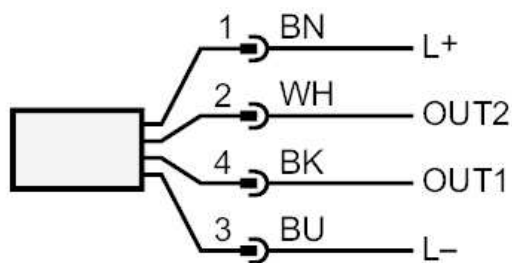
Pack quantity | 1 pcs.

### Electrical connection

Connector: 1 x M12; coding: A; Contacts: gold-plated



### Connection



OUT1: Switching output IO-Link Teach

OUT2: Switching output  
Colors to DIN EN 60947-5-2

Core colors :

- BK = black
- BN = brown
- BU = blue
- WH = white