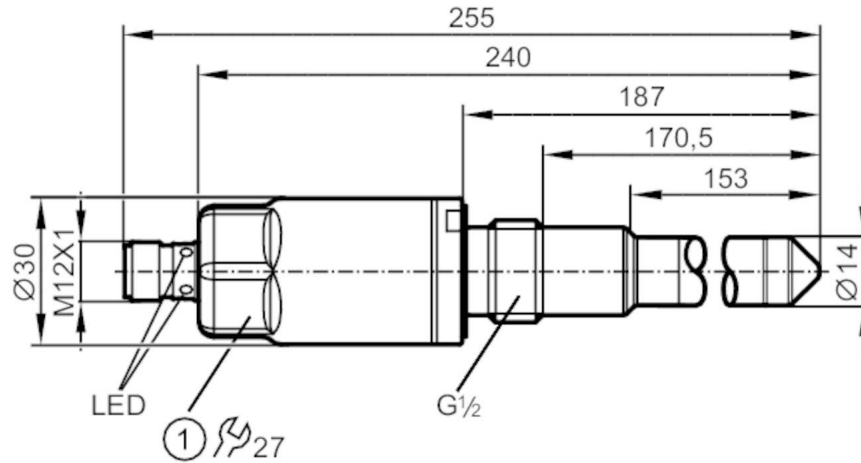


# LMT03A



## Sensor for point level detection in hazardous areas

LMDCE-A12E-QSKG-1/US/3D/3G



1 Tightening torque 20...25 Nm



### Product characteristics

Number of inputs and outputs	Number of digital outputs: 2
Factory setting	oils; oil-based media; powder
Process connection	threaded connection G 1/2 sealing cone

### Application

System	gold-plated contacts
Media	Liquids; viscous media; powder
Cannot be used for	See the operating instructions, chapter "Function and features".
Medium temperature [°C]	-20...85
Probe length [mm]	153
Tank pressure [bar]	-1...40

### Electrical data

Operating voltage [V]	18...30 DC
Current consumption [mA]	< 50
Protection class	III
Reverse polarity protection	yes
Measuring principle	capacitive

### Inputs / outputs

Number of inputs and outputs	Number of digital outputs: 2
------------------------------	------------------------------

### Outputs

Total number of outputs	2
Output signal	switching signal; IO-Link
Electrical design	PNP/NPN
Number of digital outputs	2
Output function	normally open / closed; (configurable)
Max. voltage drop switching output DC [V]	2.5

# LMT03A



## Sensor for point level detection in hazardous areas

LMDCE-A12E-QSKG-1/US/3D/3G

Permanent current rating of switching output DC [mA]	100
Short-circuit protection	yes
Type of short-circuit protection	yes (non-latching)
Overload protection	yes

### Measuring/setting range

Factory setting	oils; oil-based media; powder
-----------------	-------------------------------

### Reaction times

Response time [s]	< 0.5
-------------------	-------

### Interfaces

Communication interface	IO-Link
Transmission type	COM2 (38,4 kBaud)
IO-Link revision	1.1
SDCI standard	IEC 61131-9
Profiles	Smart Sensor: Process Data Variable; Device Identification
SIO mode	yes
Required master port class	A
Process data analog	1
Process data binary	2
Min. process cycle time [ms]	2.3
Supported DeviceIDs	<b>Type of operation</b> default
	<b>DeviceID</b> 642

### Operating conditions

Ambient temperature [°C]	-20...60
Storage temperature [°C]	-40...85
Protection	IP 67; (when used outside the hazardous area: IP 68 / IP 69)

### Tests / approvals

ATEX marking	II 3D Ex tc IIIC T90°C Dc X
	II 3G Ex nA IIC T4 Gc X
EMC	DIN EN 61000-6-2
	DIN EN 61000-6-4 closed tanks
Shock resistance	DIN EN 60068-2-27 50 g (11 ms)
Vibration resistance	DIN EN 60068-2-6 8 g (10...2000 Hz)
MTTF [years]	222

### Mechanical data

Weight [g]	329
Material	stainless steel (1.4404 / 316L); stainless steel (1.4571/316Ti); PEEK; PEI; FKM
Materials (wetted parts)	stainless steel (1.4404 / 316L); stainless steel (1.4571/316Ti); PEEK; surface characteristics: Ra < 0,8 / Rz 4; FKM
Process connection	threaded connection G 1/2 sealing cone

### Displays / operating elements

Display	Switching status	LED, yellow
	operating status	LED, green

# LMT03A



## Sensor for point level detection in hazardous areas

LMDCE-A12E-QSKG-1/US/3D/3G

### Remarks

Pack quantity

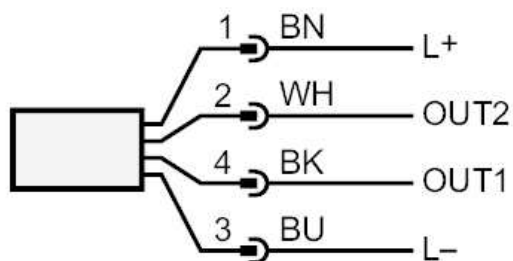
1 pcs.

### Electrical connection

Connector: 1 x M12; coding: A; Contacts: gold-plated



### Connection



OUT1: Switching output IO-Link Teach

OUT2: Switching output

Colors to DIN EN 60947-5-2

Core colors :

BK = black  
BN = brown  
BU = blue  
WH = white