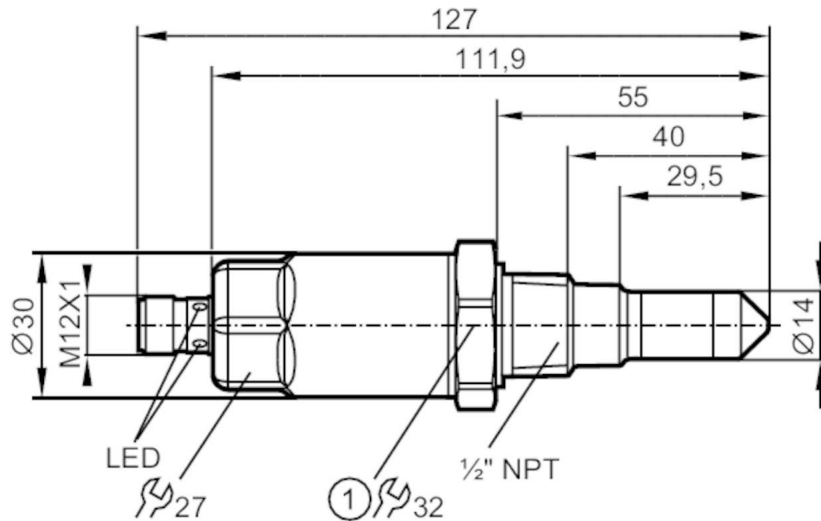


LMC502



Sensor for point level detection

LMCCE-N12E-QSKG-2/US



1 Tightening torque 50 Nm



Product characteristics

Number of inputs and outputs	Number of digital outputs: 2
Process connection	1/2" NPT

Application

System	gold-plated contacts
Media	Liquids; viscous media; powder
Recommended media	water; water-based media; oils; oil-based media; powder
Cannot be used for	See the operating instructions, chapter "Function and features".
Probe length [mm]	40
Tank pressure [bar]	-1...40
MAWP (for applications according to CRN) [bar]	40
Oil	
Medium temperature [°C]	-20...100
Medium temperature short time [°C]	-20...150; (1 h)
Water	
Medium temperature [°C]	-20...100
Medium temperature short time [°C]	-20...150; (1 h)

LMC502



Sensor for point level detection

LMCCE-N12E-QSKG-2/US

Electrical data	
Operating voltage [V]	18...30 DC
Current consumption [mA]	< 50
Protection class	III
Reverse polarity protection	yes
Measuring principle	capacitive

Inputs / outputs	
Number of inputs and outputs	Number of digital outputs: 2

Outputs	
Total number of outputs	2
Output signal	switching signal; IO-Link
Electrical design	PNP/NPN
Number of digital outputs	2
Output function	normally open / closed; (configurable)
Max. voltage drop switching output DC [V]	2.5
Permanent current rating of switching output DC [mA]	100
Short-circuit protection	yes
Type of short-circuit protection	yes (non-latching)
Overload protection	yes

Interfaces					
Communication interface	IO-Link				
Transmission type	COM2 (38,4 kBaud)				
IO-Link revision	1.1				
SDCI standard	IEC 61131-9 FDIS				
Profiles	Smart Sensor: Process Data Variable; Device Identification				
SIO mode	yes				
Required master port class	A				
Process data analog	1				
Process data binary	2				
Min. process cycle time [ms]	2.3				
Supported DeviceIDs	<table border="1"><thead><tr><th>Type of operation</th><th>DeviceID</th></tr></thead><tbody><tr><td>default</td><td>370</td></tr></tbody></table>	Type of operation	DeviceID	default	370
Type of operation	DeviceID				
default	370				

Operating conditions	
Ambient temperature [°C]	-20...85
Note on ambient temperature	Medium temperature: < 100 °C -20...60 °C Medium temperature: < 150 °C
Storage temperature [°C]	-40...85
Protection	IP 68; IP 69K

LMC502



Sensor for point level detection

LMCCE-N12E-QSKG-2/US

Tests / approvals		
EMC	DIN EN 61000-6-2	
	DIN EN 61000-6-4	open tanks
	DIN EN 61000-6-3	closed tanks
Shock resistance	DIN EN 60068-2-27	50 g (11 ms)
Vibration resistance	DIN EN 60068-2-6	20 g (10...2000 Hz)
MTTF [years]		223

Mechanical data	
Weight [g]	252
Material	stainless steel (1.4404 / 316L); PEEK; PEI; FKM
Materials (wetted parts)	PEEK; FKM
Process connection	1/2" NPT
Surface characteristics Ra/Rz of the wetted parts	< 0.8

Displays / operating elements		
Display	Switching status	2 x LED, yellow
	operating status	2 x LED, green

Remarks	
Pack quantity	1 pcs.

Electrical connection

Connector: 1 x M12; coding: A; Contacts: gold-plated



Connection

