

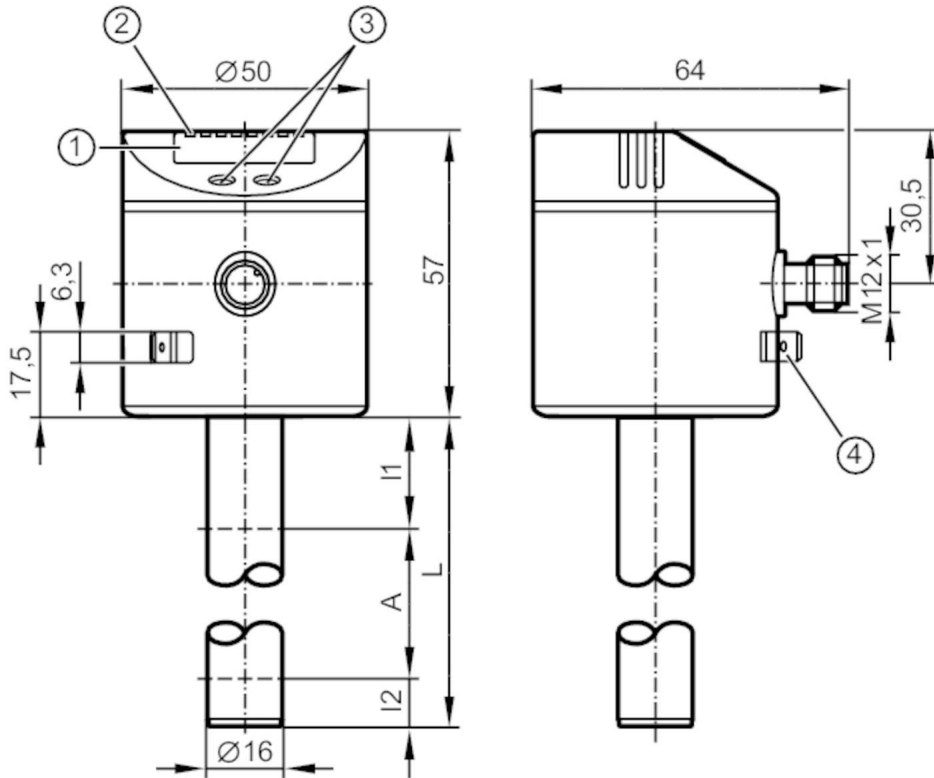
# LK8124



## Electronic level sensor

LK0728B-B-00KVPKG/US

For 8-wire cordsets the core colors are not standardized.  
Please note the wiring of the sensor and the cordsets (see data sheet).



- 1 alphanumeric display 4-digit
- 2 status LEDs
- 3 Programming buttons
- 4 housing connection flat-pin connector 6.3 mm DIN 46244



### Product characteristics

|                              |   |
|------------------------------|---|
| Number of inputs and outputs | Number of digital outputs: 4                    |
| Factory setting              | hydrous coolants; water; media similar to water |
| Probe length L [mm]          | 728   |

### Application

|   |  |
|---|--|
| Media                                       | hydrous coolants; oils; oil-based media; water; media similar to water   |
| Dielectric constant of the medium           | > 2  |
| Cannot be used for                          | extremely conductive media; adhering media; granulates; bulk material; acids; alkali; hygienic areas and electroplating applications |
| Maximum speed of the change of level [mm/s] | 300  |
| Tank pressure [bar]                         | 0.5; (when mounting with mounting accessories: E43001 - E43007, E43019)  |

### Coolants

|                         |  |
|-------------------------|--|
| Medium temperature [°C] | 0...35; (with climate tube E43102: 35...55 °C) |
|-------------------------|--|

### Oil

|                         |        |
|-------------------------|--------|
| Medium temperature [°C] | 0...70 |
|-------------------------|--------|

# LK8124



## Electronic level sensor

LK0728B-B-00KVPKG/US

|   |                        |   |
|---|------------------------|---|
| Medium temperature short time                   | [°C]                   | 0...90; (< 1 h)   |
| <b>Water</b>                                    |                        |   |
| Medium temperature                              | [°C]                   | 0...35; (with climate tube E43102 ; 35...55 °C)                             |
| <b>Electrical data</b>                          |                        |   |
| Operating voltage                               | [V]                    | 18...30 DC  |
| Current consumption                             | [mA]                   | < 50  |
| Protection class                                |                        | III   |
| Reverse polarity protection                     |                        | yes   |
| Power-on delay time                             | [s]                    | < 3   |
| Measuring principle                             |                        | capacitive  |
| <b>Inputs / outputs</b>                         |                        |   |
| Number of inputs and outputs                    |                        | Number of digital outputs: 4  |
| <b>Outputs</b>                                  |                        |   |
| Total number of outputs                         |                        | 4   |
| Output signal                                   |                        | switching signal; IO-Link   |
| Electrical design                               |                        | PNP/NPN   |
| Number of digital outputs                       |                        | 4   |
| Output function                                 |                        | normally open / closed; (configurable)                                      |
| Max. voltage drop switching output DC           | [V]                    | 2.5   |
| Permanent current rating of switching output DC | [mA]                   | 200   |
| Short-circuit protection                        |                        | yes   |
| Type of short-circuit protection                |                        | thermal, pulsed   |
| Overload protection                             |                        | yes   |
| <b>Measuring/setting range</b>                  |                        |   |
| Factory setting                                 |                        | hydrous coolants; water; media similar to water                             |
| Probe length L                                  | [mm]                   | 728   |
| Active range A                                  | [mm]                   | 585   |
| Inactive range I1 / I2                          | [mm]                   | 104 / 39  |
| <b>Setting range</b>                            |                        |   |
| Set point SP                                    | [mm]                   | 60...590  |
| Reset point rP                                  | [mm]                   | 50...580  |
| In steps of                                     | [mm]                   | 10  |
| Reference point OP                              | [mm]                   | 200 - 240 - 280 - 310 - 350 - 390 - 420 - 460 - 500 - 530 - 570 - 610 - OFF |
| Hysteresis, OP                                  | [mm]                   | 4   |
| <b>Accuracy / deviations</b>                    |                        |   |
| Measuring error                                 | [% of the final value] | ± 5   |
| Repeatability                                   |                        | ± 2   |
| Resolution                                      | [mm]                   | 10  |

# LK8124



## Electronic level sensor

LK0728B-B-00KVPKG/US

| Software / programming        |   |                               |
|-------------------------------|---|-------------------------------|
| Parameter setting options     | hysteresis / window; normally open / closed; switching logic; SP/rP position; adjustment OP; medium selection; offset setting; switch-on/switch-off delay |                               |
| Interfaces                    |   |                               |
| Communication interface       | IO-Link   |                               |
| Transmission type             | COM2 (38,4 kBaud)   |                               |
| IO-Link revision              | 1.1   |                               |
| SDCI standard                 | IEC 61131-9   |                               |
| Profiles                      | Smart Sensor: Process Data Variable; Device Identification, Device Diagnosis  |                               |
| SIO mode                      | yes   |                               |
| Required master port class    | A   |                               |
| Process data analog           | 2   |                               |
| Process data binary           | 4   |                               |
| Min. process cycle time [ms]  | 3.2   |                               |
| Supported DeviceIDs           | <b>Type of operation</b><br>default   | <b>DeviceID</b><br>23         |
| Operating conditions          |   |                               |
| Ambient temperature [°C]      | 0...60  |                               |
| Storage temperature [°C]      | -25...80  |                               |
| Protection                    | IP 67   |                               |
| Tests / approvals             |   |                               |
| EMC                           | DIN EN 61000-6-2  |                               |
|                               | DIN EN 61000-6-4  |                               |
| Shock resistance              | DIN EN 60068-2-27   | 15 g (11 ms)                  |
| Vibration resistance          | DIN EN 60068-2-6  | 5 g (10...2000 Hz)            |
| MTTF [years]                  | 227   |                               |
| Mechanical data               |   |                               |
| Weight [g]                    | 549.4   |                               |
| Dimensions [mm]               | Ø 16  |                               |
| Material                      | stainless steel (1.4301 / 304); stainless steel (1.4404 / 316L); FKM; NBR; PBT; PC; PA; PP; TPV   |                               |
| Materials (wetted parts)      | PP  |                               |
| Displays / operating elements |   |                               |
| Display                       | Display unit  | 2 x LED, green (cm, inch)     |
|                               | Switching status  | 4 x LED, yellow (OUT4...OUT1) |
|                               | Measured values   | alphanumeric display, 4-digit |
|                               | Parameter setting   | alphanumeric display, 4-digit |
| Remarks                       |   |                               |
| Pack quantity                 | 1 pcs.  |                               |

# LK8124



## Electronic level sensor

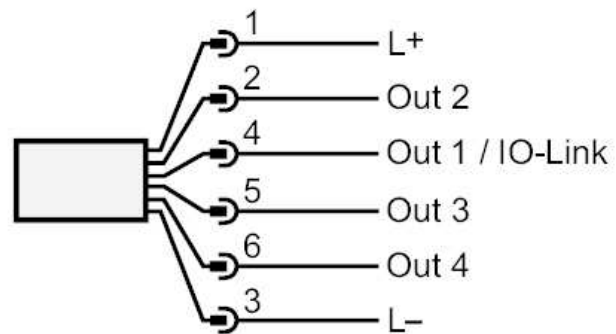
LK0728B-B-00KVPKG/US

### Electrical connection

Connector: 1 x M12; coding: A



### Connection



OUT1: Switching output IO-Link  
OUT2...4: Switching output