

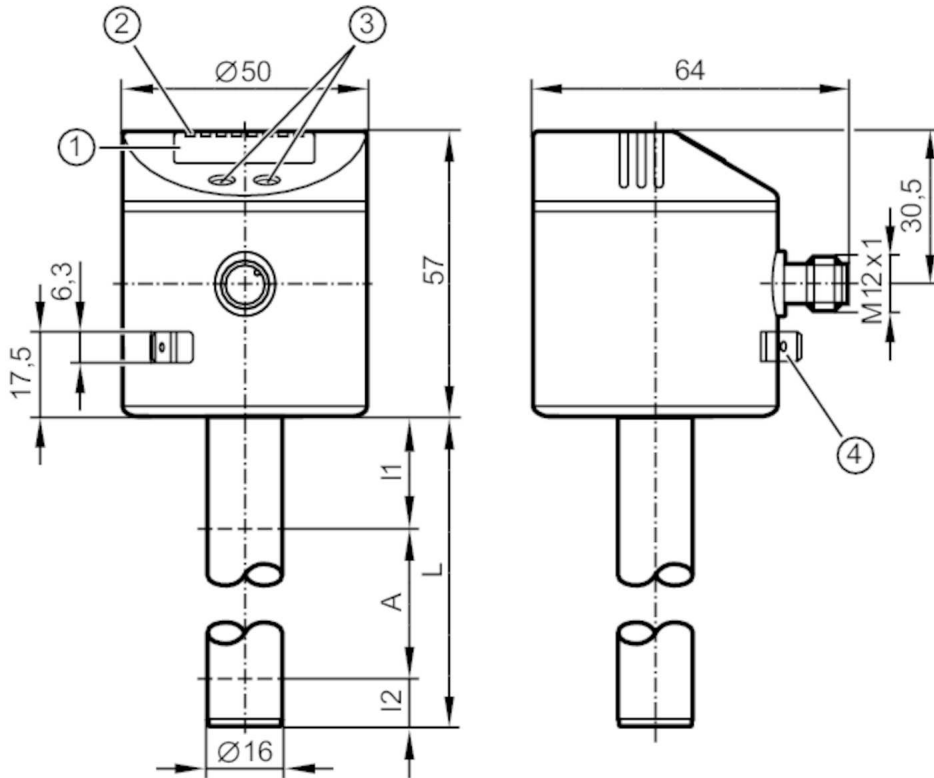
LK8122



Electronic level sensor

LK0264B-B-00KVPKG/US

For 8-wire cordsets the core colors are not standardized.
Please note the wiring of the sensor and the cordsets (see data sheet).



- 1 alphanumeric display 4-digit
- 2 status LEDs
- 3 Programming buttons
- 4 housing connection flat-pin connector 6.3 mm DIN 46244



Product characteristics

Number of inputs and outputs	Number of digital outputs: 4
Factory setting	hydrous coolants; water; media similar to water
Probe length L [mm]	264

Application

System	gold-plated contacts
Media	hydrous coolants; oils; oil-based media; water; media similar to water
Dielectric constant of the medium	> 2
Cannot be used for	extremely conductive media; adhering media; granulates; bulk material; acids; alkali; food and electroplating industry
Maximum speed of the change of level [mm/s]	100
Tank pressure [bar]	0.5; (when mounting with mounting accessories: E43001 - E43007, E43019)

Coolants

Medium temperature [°C]	0...35; (with climate tube E43100: 35...65 °C)
-------------------------	--

LK8122



Electronic level sensor

LK0264B-B-00KVPKG/US

Oil		
Medium temperature	[°C]	0...70
Medium temperature short time	[°C]	0...90; (< 1 h)
Water		
Medium temperature	[°C]	0...35; (with climate tube E43100: 35...65 °C)
Electrical data		
Operating voltage	[V]	18...30 DC
Current consumption	[mA]	< 50
Protection class		III
Reverse polarity protection		yes
Power-on delay time	[s]	< 3
Measuring principle		capacitive
Inputs / outputs		
Number of inputs and outputs		Number of digital outputs: 4
Outputs		
Total number of outputs		4
Output signal		switching signal; IO-Link
Electrical design		PNP/NPN
Number of digital outputs		4
Output function		normally open / closed; (configurable)
Max. voltage drop switching output DC	[V]	2.5
Permanent current rating of switching output DC	[mA]	200
Short-circuit protection		yes
Type of short-circuit protection		thermal, pulsed
Overload protection		yes
Measuring/setting range		
Factory setting		hydrous coolants; water; media similar to water
Probe length L	[mm]	264
Active range A	[mm]	195
Inactive range I1 / I2	[mm]	53 / 16
Setting range		
Set point SP	[mm]	25...200
Reset point rP	[mm]	20...195
In steps of	[mm]	5
Reference point OP	[mm]	69 - 82 - 94 - 106 - 118 - 130 - 143 - 155 - 167 - 179 - 191 - 204 - OFF
Hysteresis, OP	[mm]	2
Accuracy / deviations		
Measuring error		± 5
	[% of the final value]	
Repeatability		± 2

LK8122



Electronic level sensor

LK0264B-B-00KVPKG/US

Resolution	[mm]	5
Software / programming		
Parameter setting options	hysteresis / window; normally open / closed; switching logic; SP/rP position; adjustment OP; medium selection; offset setting; switch-on/switch-off delay	
Interfaces		
Communication interface	IO-Link	
Transmission type	COM2 (38,4 kBaud)	
IO-Link revision	1.1	
SDCI standard	IEC 61131-9	
Profiles	Smart Sensor: Process Data Variable; Device Identification, Device Diagnosis	
SIO mode	yes	
Required master port class	A	
Process data analog	2	
Process data binary	4	
Min. process cycle time	[ms]	3.2
Supported DeviceIDs	Type of operation	DeviceID
	default	21
Operating conditions		
Ambient temperature	[°C]	0...60
Storage temperature	[°C]	-25...80
Protection	IP 67	
Tests / approvals		
EMC	DIN EN 61000-6-2	
	DIN EN 61000-6-4	
Shock resistance	DIN EN 60068-2-29	15 g (11 ms)
Vibration resistance	DIN EN 60068-2-6	5 g (10...2000 Hz)
MTTF	[years]	227
Mechanical data		
Weight	[g]	290.4
Dimensions	[mm]	Ø 16
Material	stainless steel (1.4301 / 304); stainless steel (1.4404 / 316L); FKM; NBR; PBT; PC; PA; PP; TPV	
Materials (wetted parts)	PP	
Displays / operating elements		
Display	Display unit	2 x LED, green (cm, inch)
	Switching status	4 x LED, yellow (OUT4...OUT1)
	Measured values	alphanumeric display, 4-digit
	Parameter setting	alphanumeric display, 4-digit
Remarks		
Pack quantity	1 pcs.	

LK8122



Electronic level sensor

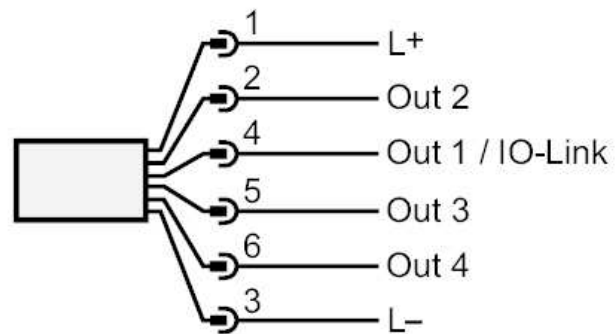
LK0264B-B-00KVPKG/US

Electrical connection

Connector: 1 x M12; coding: A; Contacts: gold-plated



Connection



OUT1: Switching output IO-Link
OUT2...4: Switching output