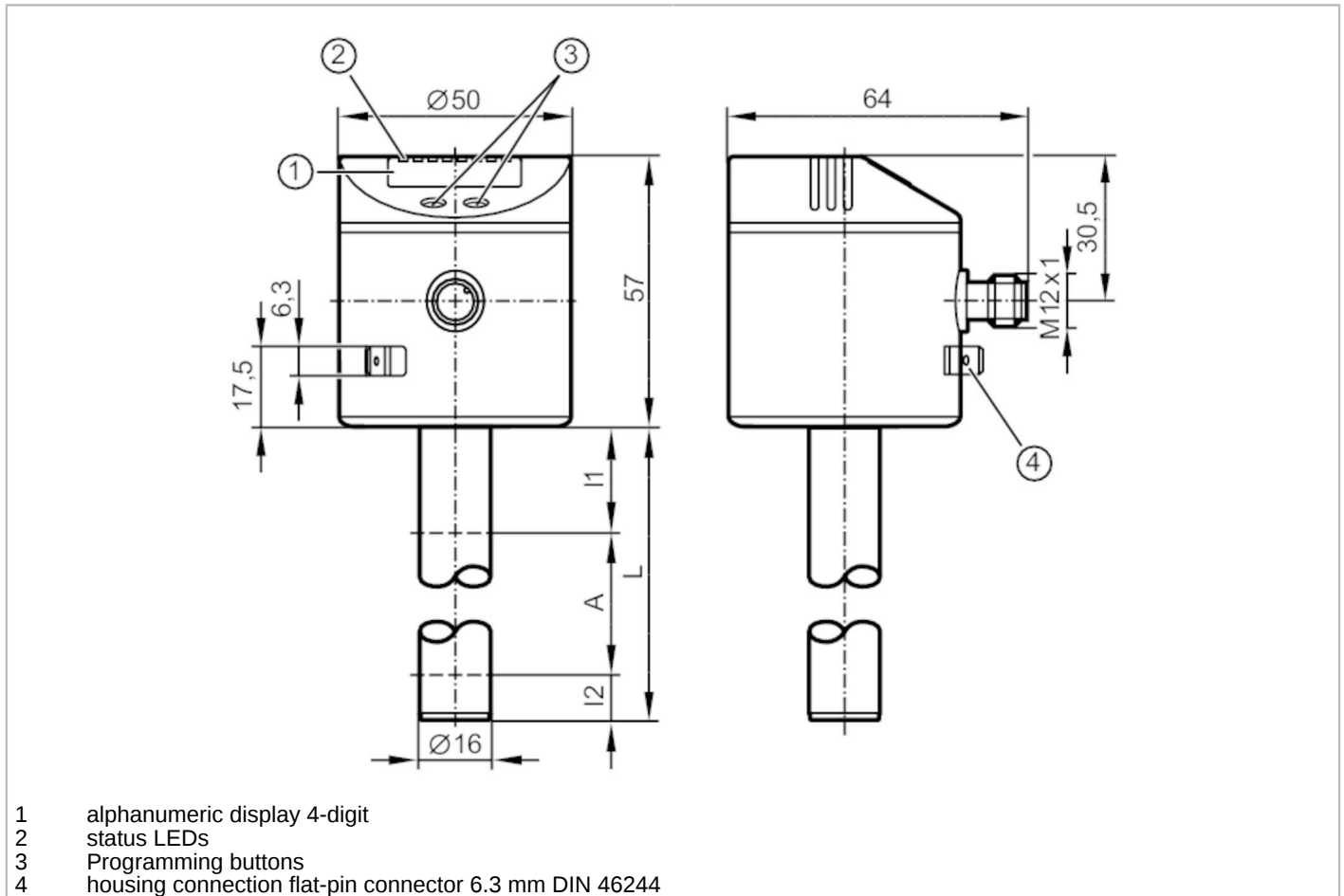


# LK3124



## Electronic level sensor

LK0728B-B-00KLPKG/US



Product characteristics	
Number of inputs and outputs	Number of digital outputs: 1; Number of analog outputs: 1
Factory setting	hydrous coolants; water; media similar to water
Probe length L [mm]	728
Application	
System	gold-plated contacts
Media	hydrous coolants; oils; oil-based media; water; media similar to water
Dielectric constant of the medium	> 2
Cannot be used for	extremely conductive media; adhering media; granulates; bulk material; acids; alkali; food and electroplating industry
Maximum speed of the change of level [mm/s]	300
Tank pressure [bar]	0.5; (when mounting with mounting accessories: E43001 - E43007, E43019)
Coolants	
Medium temperature [°C]	0...35; (with climate tube E43102: 35...55 °C)
Oil	
Medium temperature [°C]	0...70
Medium temperature short time [°C]	0...90; (< 1 h)

# LK3124



## Electronic level sensor

LK0728B-B-00KLPKG/US

Water		
Medium temperature	[°C]	0...35; (with climate tube E43102: 35...55 °C)
<b>Electrical data</b>		
Operating voltage	[V]	18...30 DC
Current consumption	[mA]	< 50
Protection class		III
Reverse polarity protection		yes
Power-on delay time	[s]	< 3
Measuring principle		capacitive
<b>Inputs / outputs</b>		
Number of inputs and outputs		Number of digital outputs: 1; Number of analog outputs: 1
<b>Outputs</b>		
Total number of outputs		2
Output signal		switching signal; analog signal; IO-Link
Electrical design		PNP/NPN
Number of digital outputs		1
Output function		normally open / closed; (configurable)
Max. voltage drop switching output DC	[V]	2.5
Permanent current rating of switching output DC	[mA]	200
Number of analog outputs		1
Analog current output	[mA]	4...20, invertible
Max. load	[Ω]	500
Analog voltage output	[V]	0...10, invertible
Min. load resistance	[Ω]	2000
Short-circuit protection		yes
Type of short-circuit protection		thermal, pulsed
Overload protection		yes
<b>Measuring/setting range</b>		
Factory setting		hydrous coolants; water; media similar to water
Probe length L	[mm]	728
Active range A	[mm]	585
Inactive range I1 / I2	[mm]	104 / 39
<b>Setting range</b>		
Set point SP	[mm]	60...590
Reset point rP	[mm]	50...580
In steps of	[mm]	10
Reference point OP	[mm]	200 - 240 - 280 - 310 - 350 - 390 - 420 - 460 - 500 - 530 - 570 - 610 - OFF
Hysteresis, OP	[mm]	4
<b>Accuracy / deviations</b>		
Measuring error		± 5
	[% of the final value]	

# LK3124



## Electronic level sensor

LK0728B-B-00KLPKG/US

Repeatability		± 2
Resolution	[mm]	5
Zero signal (voltage)	[V]	0
Zero signal (current)	[mA]	4.0
Full signal (voltage)	[V]	10
Full signal (current)	[mA]	20

### Software / programming

Parameter setting options	hysteresis / window; normally open / closed; switching logic; current/voltage output; SP/ rP position; adjustment OP; medium selection; offset setting; switch-on/switch-off delay
---------------------------	--

### Interfaces

Communication interface	IO-Link	
Transmission type	COM2 (38,4 kBaud)	
IO-Link revision	1.1	
SDCI standard	IEC 61131-9	
Profiles	Smart Sensor: Process Data Variable; Device Identification, Device Diagnosis	
SIO mode	yes	
Required master port class	A	
Process data analog	2	
Process data binary	1	
Min. process cycle time	[ms]	3.2
Supported DeviceIDs	<b>Type of operation</b>	<b>DeviceID</b>
	default	651

### Operating conditions

Ambient temperature	[°C]	0...60
Storage temperature	[°C]	-25...80
Protection		IP 67

### Tests / approvals

EMC	DIN EN 61000-6-4	
	DIN EN 61000-6-2	
Shock resistance	DIN EN 60068-2-29	15 g (11 ms)
Vibration resistance	DIN EN 60068-2-6	5 g (10...2000 Hz)
MTTF	[years]	194

### Mechanical data

Weight	[g]	548.6
Dimensions	[mm]	Ø 16
Material		stainless steel (1.4301 / 304); stainless steel (1.4404 / 316L); FKM; NBR; PBT; PC; PA; PP; TPV
Materials (wetted parts)		PP

### Displays / operating elements

Display	Display unit / status	2 x LED, green (cm, inch)
	Switching status	1 x LED, yellow
	Measured values	alphanumeric display, 4-digit
	Parameter setting	alphanumeric display, 4-digit

### Remarks

Pack quantity	1 pcs.
---------------	--------

# LK3124



## Electronic level sensor

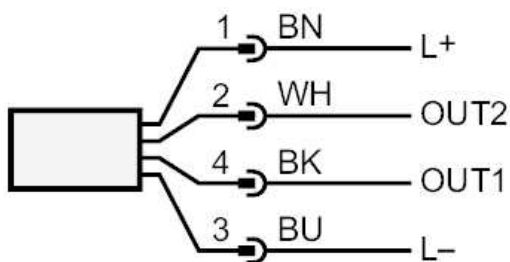
LK0728B-B-00KLPKG/US

### Electrical connection

Connector: 1 x M12; coding: A; Contacts: gold-plated



### Connection



OUT1: Switching output IO-Link  
OUT2: analog output  
Colors to DIN EN 60947-5-2

OUT1: Switching output  
OUT2: analog output  
Core colors :

BK = black  
BN = brown  
BU = blue  
WH = white