

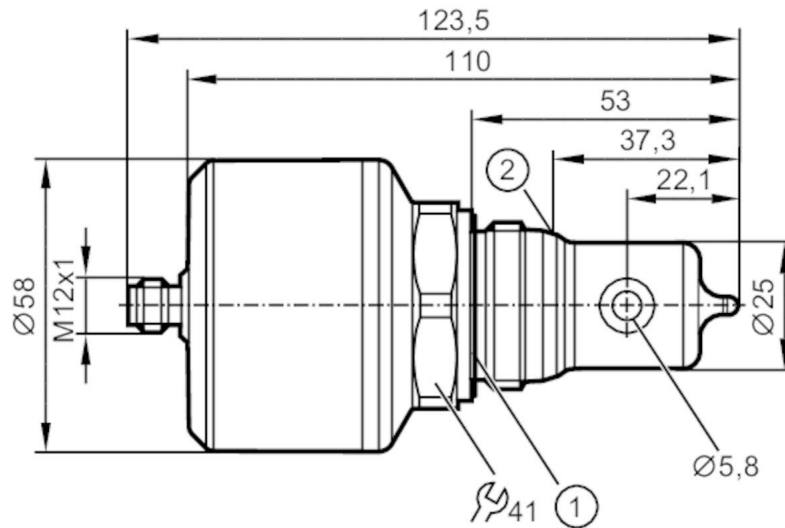
LDL200



Inductive conductivity sensor

IND CONDUCTIVITY HYG ASF-V

Digital meets analog: integrating modern IO-Link sensors the analog way. The EIO104 allows you to realize two analog signals from intelligent IO-Link sensors with several process values.



- 1 sealing
- 2 Sealing edge



EC 1935/2004 EHEDG Certified

FCM



UK

CA

Product characteristics

| | |
|------------------------------|--------------------------------------|
| Number of inputs and outputs | Number of analog outputs: 1 |
| Process connection | G 1 external thread Aseptoflex Vario |

Application

| | |
|--------------------------|--|
| System | gold-plated contacts |
| Media | Conductive liquids |
| Note on media | water |
| | milk |
| | CIP liquids |
| Cannot be used for | See the operating instructions, chapter "Function and features". |
| Medium temperature [°C] | -25...100; (< 1 h: 150) |
| Pressure rating [bar] | 16 |
| Vacuum resistance [mbar] | -1000 |

Electrical data

| | |
|-----------------------------|------------|
| Operating voltage [V] | 18...30 DC |
| Current consumption [mA] | < 100 |
| Protection class | III |
| Reverse polarity protection | yes |
| Power-on delay time [s] | 2 |
| Measuring principle | inductive |

Inputs / outputs

| | |
|------------------------------|-----------------------------|
| Number of inputs and outputs | Number of analog outputs: 1 |
|------------------------------|-----------------------------|

LDL200



Inductive conductivity sensor

IND CONDUCTIVITY HYG ASF-V


| Outputs | | |
|-----------------------------------|--------------------------|--|
| Total number of outputs | | 1 |
| Output signal | | analog signal; IO-Link |
| Output function | | analog output; scalable; selectable conductivity / temperature |
| Number of analog outputs | | 1 |
| Analog current output | [mA] | 4...20 |
| Max. load | [Ω] | 500 |
| Measuring/setting range | | |
| conductivity measurement | | |
| Measuring range | [μS/cm] | 100...1000000 |
| Resolution | [μS/cm] | 0...10.000 |
| | | 10.000...100.000 |
| | | 100.000...1.000.000 |
| Temperature measurement | | |
| Measuring range | [°C] | -25...150 |
| Accuracy / deviations | | |
| conductivity measurement | | |
| Accuracy (in the measuring range) | | 2 % MW ± 25 μS/cm |
| Drift | [%/K] | 0,1 %/K MW ± 25 μS/cm |
| Repeatability | | 1 % MW ± 25 μS/cm |
| Long-term stability | | 0,5 % MW ± 25 μS/cm |
| Temperature measurement | | |
| Accuracy | [K] | 20...50 °C: < ± 0,2 K; -25...150 °C: < ± 1,5 K |
| Repeatability | [K] | 0,2 |
| Resolution | [K] | 0.1 |
| Reaction times | | |
| conductivity measurement | | |
| Response time | [s] | < 2; (T09; Damping = 0) |
| Temperature measurement | | |
| Response time | [s] | < 40; (T09) |
| Interfaces | | |
| Communication interface | | IO-Link |
| Transmission type | | COM2 (38,4 kBaud) |
| IO-Link revision | | 1.1 |
| SDCI standard | | IEC 61131-9 |
| Profiles | | Measuring Sensor, Identification and Diagnosis |
| SIO mode | | no |
| Required master port class | | A |
| Process data analog | | 1 |
| Min. process cycle time | [ms] | 5.6 |
| Supported DeviceIDs | Type of operation | DeviceID |
| | default | 922 |

LDL200



Inductive conductivity sensor

IND CONDUCTIVITY HYG ASF-V

| Operating conditions | | |
|---|-------------------|--|
| Ambient temperature | [°C] | -40...60 |
| Storage temperature | [°C] | -40...85 |
| Protection | | IP 68; IP 69K; (7 days / 3 m water depth / 0.3 bar: IP 68) |
| Tests / approvals | | |
| EMC | DIN EN 61000-6-2 | |
| | DIN EN 61000-6-3 | |
| Shock resistance | DIN EN 60068-2-27 | 50 g (11 ms) |
| Vibration resistance | DIN EN 60068-2-6 | 20 g (10...2000 Hz) |
| MTTF | [years] | 129 |
| Mechanical data | | |
| Weight | [g] | 692.6 |
| Material | | stainless steel (1.4404 / 316L); PEEK; PEI; FKM |
| Materials (wetted parts) | | PEEK |
| Process connection | | G 1 external thread Aseptoflex Vario |
| Remarks | | |
| Remarks | | MW = Measured value |
| Notes | | Digital meets analog: integrating modern IO-Link sensors the analog way. The EIO104 allows you to realize two analog signals from intelligent IO-Link sensors with several process values. |
| Pack quantity | | 1 pcs. |
| Electrical connection | | |
| Connector: 1 x M12 (EN 61067-2-101); coding: A; Contacts: gold-plated | | |
|  | | |

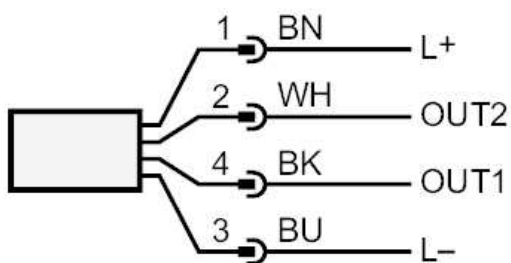
LDL200



Inductive conductivity sensor

IND CONDUCTIVITY HYG ASF-V

Connection



OUT1 IO-Link
OUT2 analog output
Colors to DIN EN 60947-5-2
Core colors :

BK = black
BN = brown
BU = blue
WH = white