

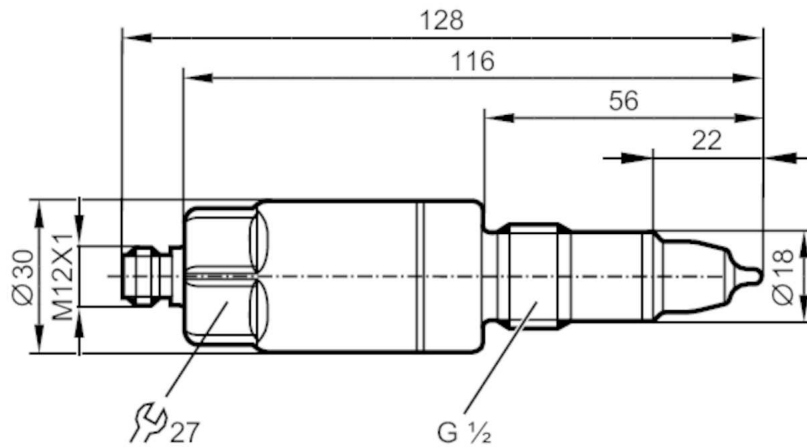
LDL100



Conductive conductivity sensor

COND CONDUCTIVITY HYG G1/2

Digital meets analog: integrating modern IO-Link sensors the analog way. The EIO104 allows you to realize two analog signals from intelligent IO-Link sensors with several process values.



Product characteristics

Number of inputs and outputs	Number of analog outputs: 1
Process connection	threaded connection G 1/2 external thread sealing cone

Application

System	gold-plated contacts
Media	Conductive liquids
Note on media	water
	milk
	CIP liquids
Cannot be used for	See the operating instructions, chapter "Function and features".
Medium temperature [°C]	-25...100; (< 1 h: 150)
Pressure rating [bar]	16
Vacuum resistance [mbar]	-1000

Electrical data

Operating voltage [V]	18...30 DC
Current consumption [mA]	< 60
Protection class	III
Reverse polarity protection	yes
Power-on delay time [s]	2
Measuring principle	konduktiv

Inputs / outputs

Number of inputs and outputs	Number of analog outputs: 1
------------------------------	-----------------------------

Outputs

Total number of outputs	1
Output signal	analog signal; IO-Link

LDL100



Conductive conductivity sensor

COND CONDUCTIVITY HYG G1/2

Output function	analog output; scalable; selectable conductivity / temperature	
Number of analog outputs	1	
Analog current output [mA]	4...20	
Max. load [Ω]	500	

Measuring/setting range

conductivity measurement		
Measuring range [$\mu\text{S}/\text{cm}$]	100...15000	
Resolution [$\mu\text{S}/\text{cm}$]	1	
Temperature measurement		
Measuring range [$^{\circ}\text{C}$]	-25...150	

Accuracy / deviations

conductivity measurement		
Accuracy (in the measuring range)	10 % MW \pm 25 $\mu\text{S}/\text{cm}$	
Drift [%/K]	0,2 %/K MW \pm 25 $\mu\text{S}/\text{cm}$	
Repeatability	5 % MW \pm 25 $\mu\text{S}/\text{cm}$	
Long-term stability	1 % MW \pm 25 $\mu\text{S}/\text{cm}$	
Temperature measurement		
Accuracy [K]	20...50 $^{\circ}\text{C}$: $< \pm 0,5$ K; -25...150 $^{\circ}\text{C}$: $< \pm 1,5$ K	
Repeatability [K]	0,2	
Resolution [K]	0.1	

Reaction times

conductivity measurement		
Response time [s]	< 2 ; (T09; Damping = 0)	
Temperature measurement		
Response time [s]	< 9 ; (T09)	

Interfaces

Communication interface	IO-Link	
Transmission type	COM2 (38,4 kBaud)	
IO-Link revision	1.1	
SDCI standard	IEC 61131-9	
Profiles	Measuring Sensor, Identification and Diagnosis	
SIO mode	no	
Required master port class	A	
Process data analog	1	
Min. process cycle time [ms]	5.6	
Supported DeviceIDs	Type of operation	DeviceID
	default	921

Operating conditions

Ambient temperature [$^{\circ}\text{C}$]	-40...60	
Storage temperature [$^{\circ}\text{C}$]	-40...85	
Protection	IP 68; IP 69K; (7 days / 3 m water depth / 0.3 bar: IP 68)	

LDL100



Conductive conductivity sensor

COND CONDUCTIVITY HYG G1/2

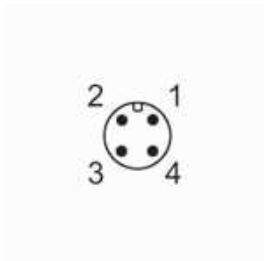
Tests / approvals		
EMC	DIN EN 61000-6-2	
	DIN EN 61000-6-3	
Shock resistance	DIN EN 60068-2-27	50 g (11 ms)
Vibration resistance	DIN EN 60068-2-6	20 g (10...2000 Hz)
MTTF	[years]	172

Mechanical data	
Weight	[g] 270.5
Material	stainless steel (1.4404 / 316L); PEEK; PEI; FKM
Materials (wetted parts)	PEEK; stainless steel (1.4404 / 316L)
Process connection	threaded connection G 1/2 external thread sealing cone

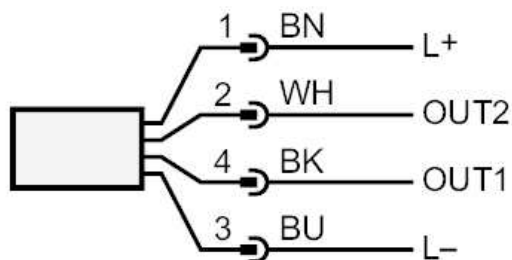
Remarks	
Remarks	MW = Measured value
Notes	Digital meets analog: integrating modern IO-Link sensors the analog way. The EIO104 allows you to realize two analog signals from intelligent IO-Link sensors with several process values.
Pack quantity	1 pcs.

Electrical connection

Connector: 1 x M12 (EN 61067-2-101); coding: A; Contacts: gold-plated



Connection



OUT1 IO-Link
 OUT2 analog output
 Colors to DIN EN 60947-5-2
 Core colors :

BK = black
 BN = brown
 BU = blue
 WH = white