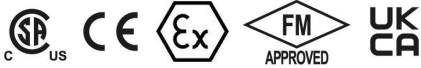
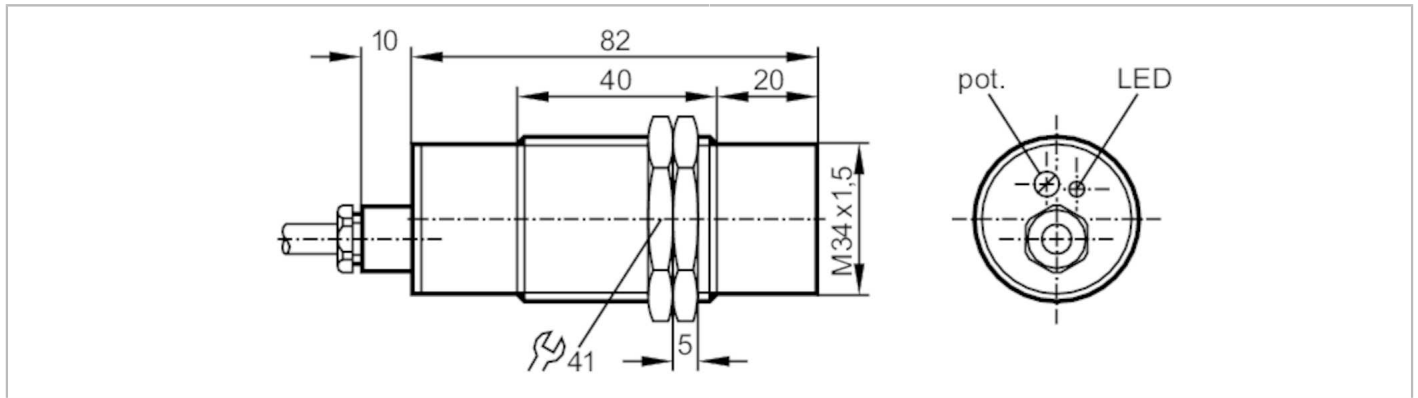


KX5001



Capacitive NAMUR sensor

KX-2015-N/NI/1D/1G



Product characteristics	
Electrical design	NAMUR
Output function	normally closed
Sensing range [mm]	15
Housing	Threaded type
Dimensions [mm]	M34 x 1.5 / L = 92
Electrical data	
Connection at circuit amplifier	yes
Switching amplifiers	connection to certified intrinsically safe circuits with the max. values: U = 15 V / I = 50 mA / P = 120 mW
Nominal voltage DC [V]	8.2; (1kΩ)
Supply voltage DC [V]	7.5...15
Current consumption [mA]	< 1; (disabled; conductive: > 2,2)
Protection class	I
Measuring principle	capacitive
Outputs	
Electrical design	NAMUR
Output function	normally closed
Switching frequency DC [Hz]	40
Monitoring range	
Sensing range [mm]	15
Sensing range adjustable	yes
Factory setting sensing range [mm]	15
Accuracy / deviations	
Correction factor	glass: 0.4 / water: 1 / ceramics: 0.2 / PVC: 0.2
Hysteresis [% of Sr]	1...15
Switch-point drift [% of Sr]	-15...15
Operating conditions	
Ambient temperature [°C]	-20...60
Protection	IP 65

KX5001



Capacitive NAMUR sensor

KX-2015-N/NI/1D/1G

Tests / approvals		
Approval	DMT 01 ATEX E 020	
ATEX marking	II 1G Ex ia IIB T6 Ga	
	II 1D Ex ia IIIC T90 °C Da	
EMC	EN 60947-5-2	
MTTF [years]	838	
Safety classification		
Max. internal capacitance [nF]	375	
Max. internal inductance [µH]	1	
Mechanical data		
Weight [g]	421.5	
Housing	Threaded type	
Mounting	non-flush mountable	
Dimensions [mm]	M34 x 1.5 / L = 92	
Thread designation	M34 x 1.5	
Material	brass white bronze coated; sensing face: PTFE	
Displays / operating elements		
Display	Switching status	1 x LED, yellow
Remarks		
Pack quantity	1 pcs.	
Electrical connection		
Cable: 2 m, PVC; 3 x 0.5 mm ²		
Connection		

