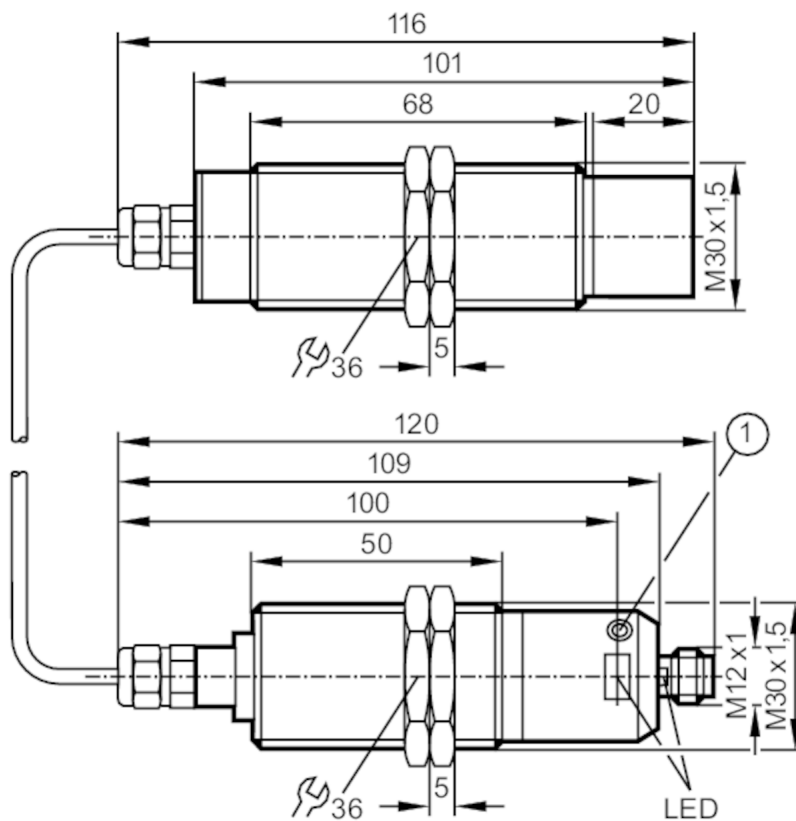


# KN5121



## Capacitive high-temperature sensor

KNM30-HAFPKG



1 Programming button



Product characteristics	
Electrical design	PNP
Output function	normally open / closed; (selectable)
Sensing range [mm]	Programmable sensing range
Housing	Threaded type
Dimensions [mm]	M30 x 1.5 / L = 116
Application	
Media	dry bulk material
Recommended media	plastic granulates
Electrical data	
Operating voltage [V]	10...30 DC
Current consumption [mA]	34; (typical: 34 (24 V); maximum: 39 (30 V))
Protection class	III
Reverse polarity protection	yes
Measuring principle	capacitive
Outputs	
Electrical design	PNP
Output function	normally open / closed; (selectable)

# KN5121



## Capacitive high-temperature sensor

KNM30-HAFPKG

Max. voltage drop switching output DC [V]	2.5
Max. voltage drop of function check output [V]	3.5
Max. current load for function check output [mA]	10
Permanent current rating of switching output DC [mA]	200
Switching frequency DC [Hz]	10
Short-circuit protection	yes
Type of short-circuit protection	yes (non-latching)
Overload protection	yes

### Monitoring range

Sensing range [mm]	Programmable sensing range
Sensing range adjustable	yes

### Operating conditions

Ambient temperature [°C]	-15...230
Note on ambient temperature	sensor: -15...230 °C briefly: ...250 °C (4 h) HF connection cable: -25...200 °C electronics: -25...70 °C
Protection	IP 67

### Tests / approvals

EMC	EN 60947-5-2
MTTF [years]	347

### Mechanical data

Weight [g]	458.5
Housing	Threaded type
Mounting	non-flush mountable
Dimensions [mm]	M30 x 1.5 / L = 116
Thread designation	M30 x 1.5
Material	housing sensor: PPS; brass white bronze coated; housing electronic: PBT; PP; brass white bronze coated

### Displays / operating elements

Display	Switching status	2 x LED, yellow
	Power	1 x LED, green
	error	1 x LED, red

### Accessories

Items supplied	lock nuts: 2
----------------	--------------

### Remarks

Pack quantity	1 pcs.
---------------	--------

# KN5121



## Capacitive high-temperature sensor

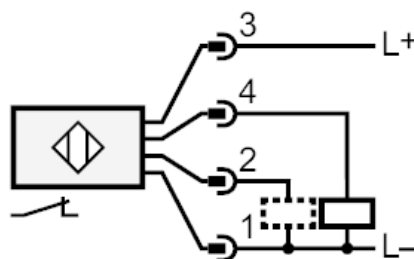
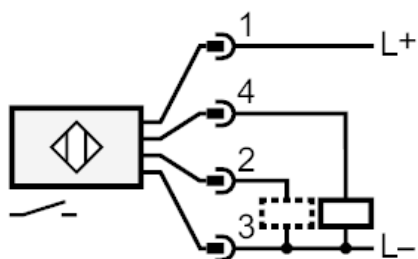
KNM30-HAFPKG

### Electrical connection - HF connection cable

Cable: 2 m

### Electrical connection - plug

Connector: 1 x M12; coding: A



2: Function check output programming wire