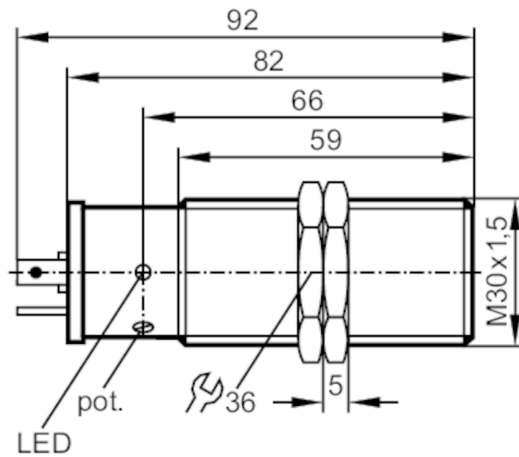


KI5038



Capacitive sensor

KI-3015-FPKG/NI/SS-000-K



Product characteristics

Electrical design	PNP
Output function	normally open / closed; (selectable)
Sensing range [mm]	15
Housing	Threaded type
Dimensions [mm]	M30 x 1.5 / L = 92

Electrical data

Operating voltage [V]	10...36 DC
Current consumption [mA]	13; (24 V)
Protection class	III
Reverse polarity protection	yes

Outputs

Electrical design	PNP
Output function	normally open / closed; (selectable)
Max. voltage drop switching output DC [V]	2.5
Permanent current rating of switching output DC [mA]	250
Switching frequency DC [Hz]	40
Short-circuit proof	yes
Overload protection	yes

Monitoring range

Sensing range [mm]	15
Real sensing range Sr [mm]	15 ± 10 %
Operating distance [mm]	0...12.1

Accuracy / deviations

Correction factor	glass: 0.4 / water: 1 / ceramics: 0.2 / PVC: 0.2
Hysteresis [% of Sr]	1...15

KI5038



Capacitive sensor

KI-3015-FPKG/NI/SS-000-K

Switch-point drift	[% of Sr]	-15...15
--------------------	-----------	----------

Operating conditions

Ambient temperature	[°C]	-25...70
Protection		IP 65
Increased immunity		yes; (Increased immunity to conducted radio frequency interference)

Tests / approvals

EMC		EN 60947-5-2
MTTF	[years]	769

Mechanical data

Weight	[g]	101.5
Housing		Threaded type
Mounting		non-flush mountable
Dimensions	[mm]	M30 x 1.5 / L = 92
Thread designation		M30 x 1.5
Material		PBT

Displays / operating elements

Display	Switching status	1 x LED, yellow
---------	------------------	-----------------

Accessories

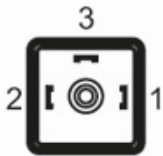
Items supplied		lock nuts: 2
----------------	--	--------------

Remarks

Pack quantity		1 pcs.
---------------	--	--------

Electrical connection - plug

Connector: 1 x valve plug type A DIN (DIN EN 175301-803)



Connection

