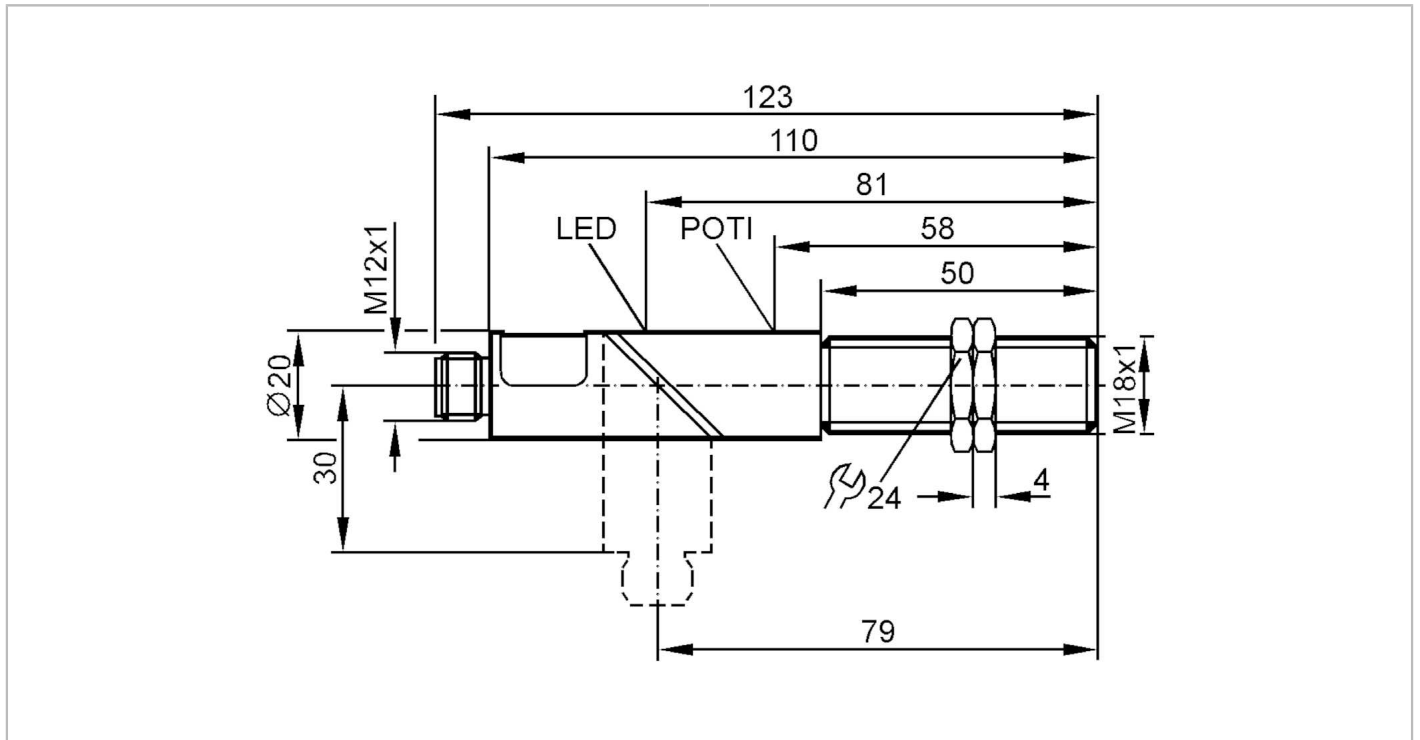


KG8502



Capacitive sensor

KGE3008BPKG/NI/US100DPS



Product characteristics		
Electrical design		PNP
Output function		normally open
Sensing range	[mm]	2.5..8
Housing		Threaded type
Dimensions	[mm]	M18 x 1
Electrical data		
Operating voltage	[V]	10...36 DC
Protection class		II
Reverse polarity protection		yes
Outputs		
Electrical design		PNP
Output function		normally open
Max. voltage drop switching output DC	[V]	2.5
Permanent current rating of switching output DC	[mA]	400
Switching frequency DC	[Hz]	50
Short-circuit proof		yes
Overload protection		yes
Monitoring range		
Sensing range	[mm]	2.5..8
Sensing range adjustable		yes
Factory setting sensing range	[mm]	8
Real sensing range Sr	[mm]	8 ± 10 %
Operating distance	[mm]	0..6.5

KG8502



Capacitive sensor

KGE3008BPKG/NI/US100DPS

Accuracy / deviations		
Correction factor		glass: 0.4 / water: 1 / ceramics: 0.2 / PVC: 0.2
Hysteresis	[% of Sr]	3...15
Switch-point drift	[% of Sr]	-15...15
Operating conditions		
Ambient temperature	[°C]	-25...80
Protection		IP 65
Mechanical data		
Weight	[g]	72.575
Housing		Threaded type
Mounting		non-flush mountable
Dimensions	[mm]	M18 x 1
Thread designation		M18 x 1
Material		PBT
Displays / operating elements		
Display	Switching status	1 x LED, red
Accessories		
Items supplied		lock nuts: 2 screwdriver: 1
Remarks		
Pack quantity		1 pcs.
Electrical connection - plug		
Connector: 1 x M12; coding: A		



Connection

