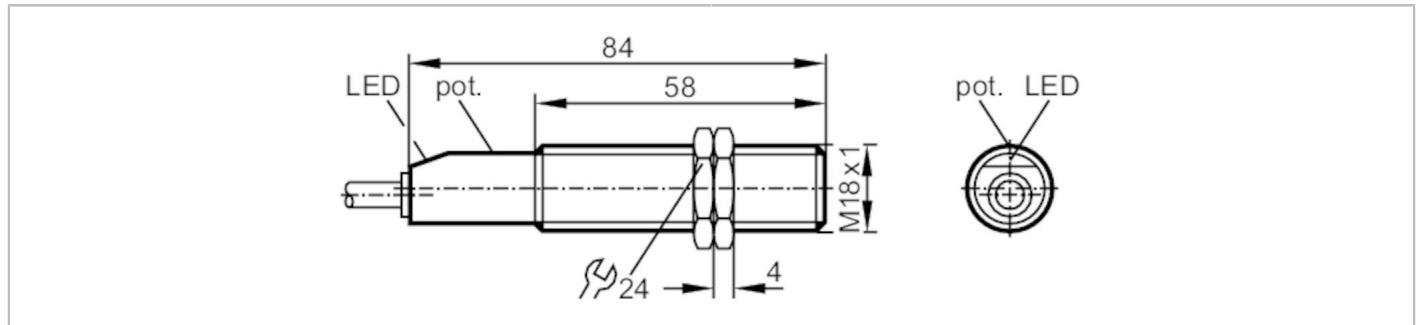


KG5079



Capacitive NAMUR sensor

KG-2080-N/6M/1D/1G



Product characteristics	
Electrical design	NAMUR
Output function	normally closed
Sensing range [mm]	8
Housing	Threaded type
Dimensions [mm]	M18 x 1 / L = 84
Electrical data	
Connection at circuit amplifier	yes
Switching amplifiers	connection to certified intrinsically safe circuits with the max. values: U = 15 V / I = 50 mA / P = 120 mW
Nominal voltage DC [V]	8.2; (1kΩ)
Supply voltage DC [V]	7.5...15
Current consumption [mA]	< 1; (disabled; conductive: > 2,2)
Protection class	II
Outputs	
Electrical design	NAMUR
Output function	normally closed
Switching frequency DC [Hz]	4
Monitoring range	
Sensing range [mm]	8
Sensing range adjustable	yes
Factory setting sensing range [mm]	8
Real sensing range Sr [mm]	8 ± 10 %
Accuracy / deviations	
Correction factor	glass: 0.4 / water: 1 / ceramics: 0.2 / PVC: 0.2
Hysteresis [% of Sr]	1...15
Switch-point drift [% of Sr]	-15...15
Operating conditions	
Ambient temperature [°C]	-20...60
Protection	IP 67
Tests / approvals	
Approval	BVS 13 ATEX E009 X; IECEx BVS 13.0015 X
ATEX marking	Ex II 1G Ex ia IIB T4 Ga

KG5079



Capacitive NAMUR sensor

KG-2080-N/6M/1D/1G

	Ex II 1D Ex ia IIIC T135°C Da	
EMC	EN 61000-4-2 ESD	- kV CD / 8 kV AD
	EN 61000-4-3 HF radiated	3 V/m
	EN 61000-4-4 Burst	2 kV
	EN 61000-4-6 HF conducted	3 V
	EN 55011 emission	class B
Shock resistance	EN 60947-5-2	
MTTF [years]		503

Safety classification

Max. internal capacitance [nF]	11.5
Max. internal inductance [µH]	3

Mechanical data

Weight [g]	320
Housing	Threaded type
Mounting	non-flush mountable
Dimensions [mm]	M18 x 1 / L = 84
Thread designation	M18 x 1
Material	PBT

Displays / operating elements

Display	Switching status	1 x LED, yellow
---------	------------------	-----------------

Accessories

Items supplied	lock nuts: 2
----------------	--------------

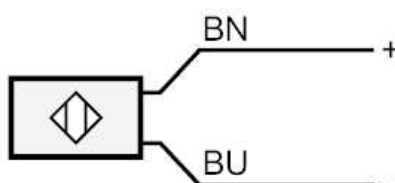
Remarks

Pack quantity	1 pcs.
---------------	--------

Electrical connection

Cable: 6 m, PVC; 2 x 0.5 mm²

Connection



Core colors :
 BN = brown
 BU = blue