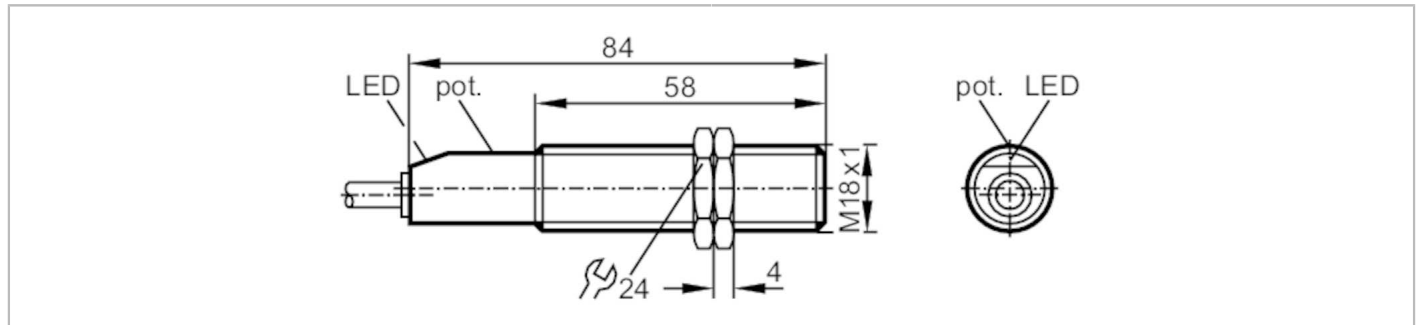


KG5046



Capacitive sensor

KG-3008-BNKG/NI



Product characteristics	
Electrical design	NPN
Output function	normally closed
Sensing range [mm]	8
Housing	Threaded type
Dimensions [mm]	M18 x 1 / L = 84
Electrical data	
Operating voltage [V]	10...36 DC; (cULus - Class 2 source required)
Current consumption [mA]	< 10 (24 V DC) / < 15 (36 V DC)
Protection class	II
Reverse polarity protection	yes
Outputs	
Electrical design	NPN
Output function	normally closed
Max. voltage drop switching output DC [V]	2.5
Permanent current rating of switching output DC [mA]	250
Switching frequency DC [Hz]	50
Short-circuit proof	yes
Overload protection	yes
Monitoring range	
Sensing range [mm]	8
Sensing range adjustable	yes
Factory setting sensing range [mm]	8
Real sensing range Sr [mm]	8 ± 10 %
Operating distance [mm]	0...6.5
Accuracy / deviations	
Correction factor	glass: 0.4 / water: 1 / ceramics: 0.2 / PVC: 0.2
Hysteresis [% of Sr]	1...15
Switch-point drift [% of Sr]	-15...15
Operating conditions	
Ambient temperature [°C]	-25...80

KG5046



Capacitive sensor

KG-3008-BNKG/NI

Protection	IP 67
------------	-------

Tests / approvals

EMC	EN 60947-5-2
MTTF [years]	671

Mechanical data

Weight [g]	125
Housing	Threaded type
Mounting	non-flush mountable
Dimensions [mm]	M18 x 1 / L = 84
Thread designation	M18 x 1
Material	PBT

Displays / operating elements

Display	Switching status	1 x LED, yellow
---------	------------------	-----------------

Accessories

Items supplied	lock nuts: 2
----------------	--------------

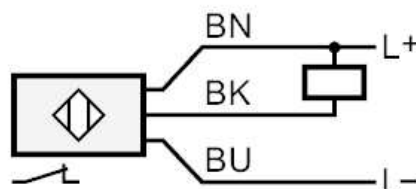
Remarks

Pack quantity	1 pcs.
---------------	--------

Electrical connection

Cable: 2 m, PVC; 3 x 0.34 mm²

Connection



Core colors :
BN = brown
BU = blue
BK = black