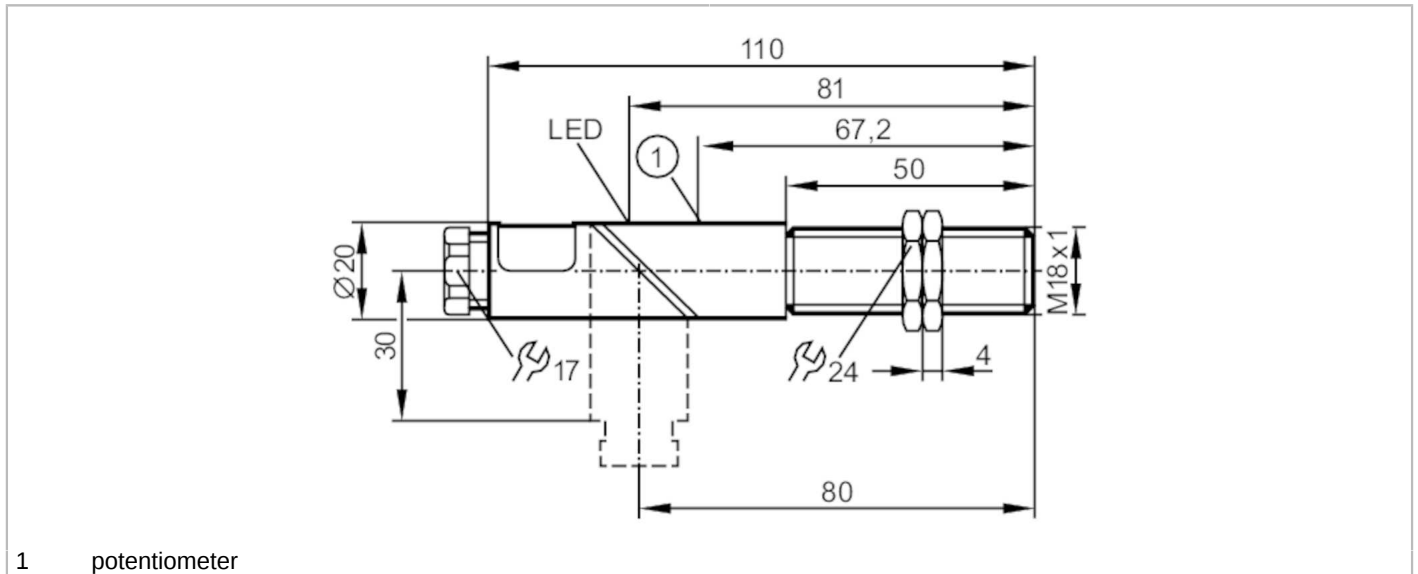


# KG5040



## Capacitive sensor

KGE2008-FRKG/NI



Product characteristics	
Electrical design	PNP/NPN
Output function	normally open / closed; (selectable)
Sensing range [mm]	2.5...8
Housing	Threaded type
Dimensions [mm]	M18 x 1 / L = 110
Electrical data	
Operating voltage [V]	10...55 DC
Protection class	II
Measuring principle	capacitive
Outputs	
Electrical design	PNP/NPN
Output function	normally open / closed; (selectable)
Max. voltage drop switching output DC [V]	4.6
Minimum load current [mA]	4
Max. leakage current [mA]	1
Permanent current rating of switching output DC [mA]	200; (400 (...50 °C))
Switching frequency DC [Hz]	50
Short-circuit proof	yes
Overload protection	yes
Monitoring range	
Sensing range [mm]	2.5...8
Sensing range adjustable	yes
Factory setting sensing range [mm]	8
Real sensing range Sr [mm]	8 ± 10 %
Operating distance [mm]	0...6.5

# KG5040



## Capacitive sensor

KGE2008-FRKG/NI

Accuracy / deviations		
Correction factor		glass: 0.4 / water: 1 / ceramics: 0.2 / PVC: 0.2
Hysteresis	[% of Sr]	1...15
Switch-point drift	[% of Sr]	-15...15
Operating conditions		
Ambient temperature	[°C]	-25...80
Protection		IP 65
Tests / approvals		
EMC		EN 60947-5-2
MTTF	[years]	497
Mechanical data		
Weight	[g]	80.5
Housing		Threaded type
Mounting		non-flush mountable
Dimensions	[mm]	M18 x 1 / L = 110
Thread designation		M18 x 1
Material		PBT
Displays / operating elements		
Display	Switching status	1 x LED, yellow
Accessories		
Items supplied		lock nuts: 2
Remarks		
Pack quantity		1 pcs.
Electrical connection		
terminals: ...2.5 mm <sup>2</sup> ; Cable sheath: Ø 4.5...10 mm; Cable gland: M16 X 1.5		
Connection		

