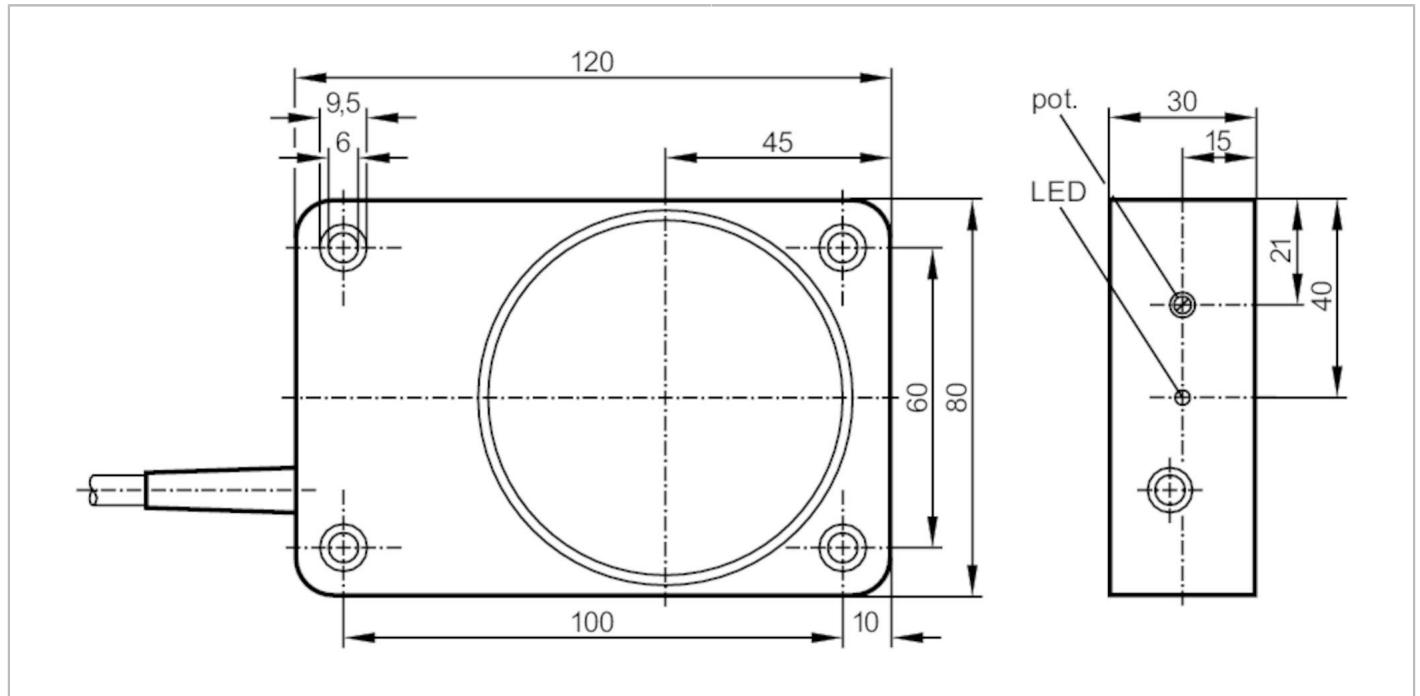


KD5022



Capacitive sensor

KD-3060-BPKG/NI



Product characteristics

Electrical design		PNP
Output function		normally open
Sensing range	[mm]	60
Housing		rectangular
Dimensions	[mm]	120 x 80 x 30

Electrical data

Operating voltage	[V]	10...36 DC
Current consumption	[mA]	15; (24 V)
Protection class		II
Reverse polarity protection		yes

Outputs

Electrical design		PNP
Output function		normally open
Max. voltage drop switching output DC	[V]	2.5
Permanent current rating of switching output DC	[mA]	250
Switching frequency DC	[Hz]	10
Short-circuit proof		yes
Overload protection		yes

Monitoring range

Sensing range	[mm]	60
Real sensing range Sr	[mm]	60 ± 10 %
Operating distance	[mm]	0...48.6

KD5022



Capacitive sensor

KD-3060-BPKG/NI

Accuracy / deviations

Correction factor	glass: 0.4 / water: 1 / ceramics: 0.2 / PVC: 0.2	
Hysteresis [% of Sr]	1...15	
Switch-point drift [% of Sr]	-15...15	

Operating conditions

Ambient temperature [°C]	-25...50	
Protection	IP 65	
Increased immunity	yes	

Tests / approvals

EMC	EN 60947-5-2	
MTTF [years]	615	

Mechanical data

Weight [g]	405	
Housing	rectangular	
Mounting	non-flush mountable	
Dimensions [mm]	120 x 80 x 30	
Material	PPE modified	

Displays / operating elements

Display	Switching status	1 x LED, yellow
---------	------------------	-----------------

Accessories

Items supplied	spring washers: 4 cylinder screws: 4	
----------------	---	--

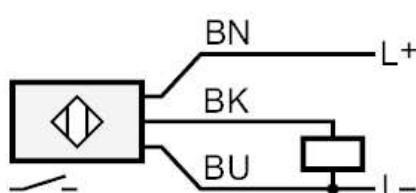
Remarks

Pack quantity	1 pcs.	
---------------	--------	--

Electrical connection

Cable: 2 m, PVC; 3 x 0.5 mm²

Connection



Core colors :
BN = brown
BK = black
BU = blue