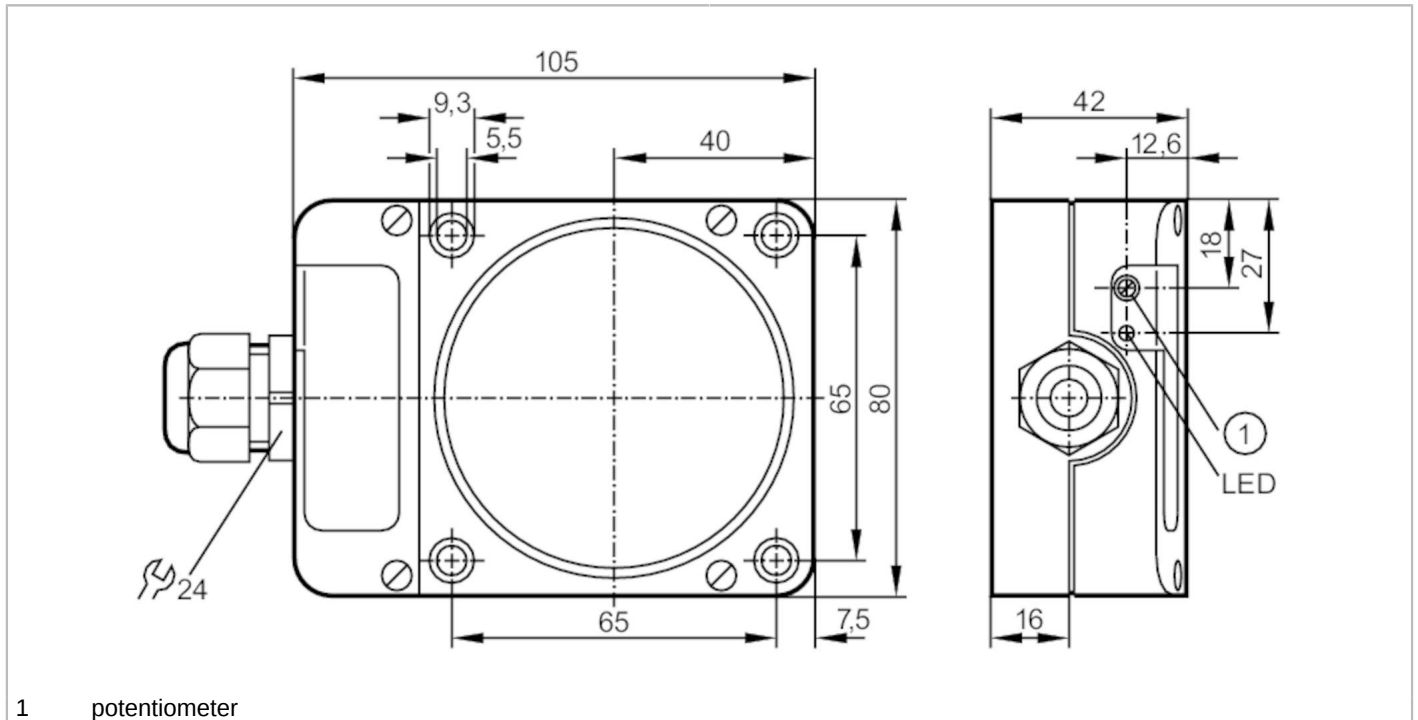


KD501A



Capacitive sensor

KDE3060-FPKG/NI/3D



1 potentiometer



Product characteristics		
Electrical design		PNP
Output function		normally open / closed; (selectable)
Sensing range	[mm]	60
Housing		rectangular
Dimensions	[mm]	105 x 80 x 42
Electrical data		
Operating voltage	[V]	10...36 DC
Current consumption	[mA]	< 15
Protection class		III
Reverse polarity protection		yes
Measuring principle		capacitive
Outputs		
Electrical design		PNP
Output function		normally open / closed; (selectable)
Max. voltage drop switching output DC	[V]	2.5
Permanent current rating of switching output DC	[mA]	200
Switching frequency DC	[Hz]	10
Short-circuit proof		yes
Overload protection		yes
Monitoring range		
Sensing range	[mm]	60

KD501A



Capacitive sensor

KDE3060-FPKG/NI/3D

Sensing range adjustable	yes
Factory setting sensing range [mm]	60
Real sensing range Sr [mm]	60 ± 10 %

Accuracy / deviations

Correction factor	glass: 0.4 / water: 1 / ceramics: 0.2 / PVC: 0.2
Hysteresis [% of Sr]	1...15
Switch-point drift [% of Sr]	-15...15

Operating conditions

Ambient temperature [°C]	-20...60
Protection	IP 65
Increased immunity	yes

Tests / approvals

ATEX marking	Ex II 3D Ex tc IIIC T90°C Dc X IP65
EMC	EN 60947-5-2
MTTF [years]	537

Mechanical data

Weight [g]	279.5
Housing	rectangular
Mounting	non-flush mountable
Dimensions [mm]	105 x 80 x 42
Material	PPE modified; PA
Tightening torque [Nm]	housing screws: 0,9 Nm; screws: 4 Nm

Displays / operating elements

Display	Switching status	1 x LED, yellow
---------	------------------	-----------------

Remarks

Pack quantity	1 pcs.
---------------	--------

Electrical connection

terminals: 0.34...2.5 mm²; Cable sheath: Ø 5...9 mm; Cable gland: M20 X 1.5

Connection

