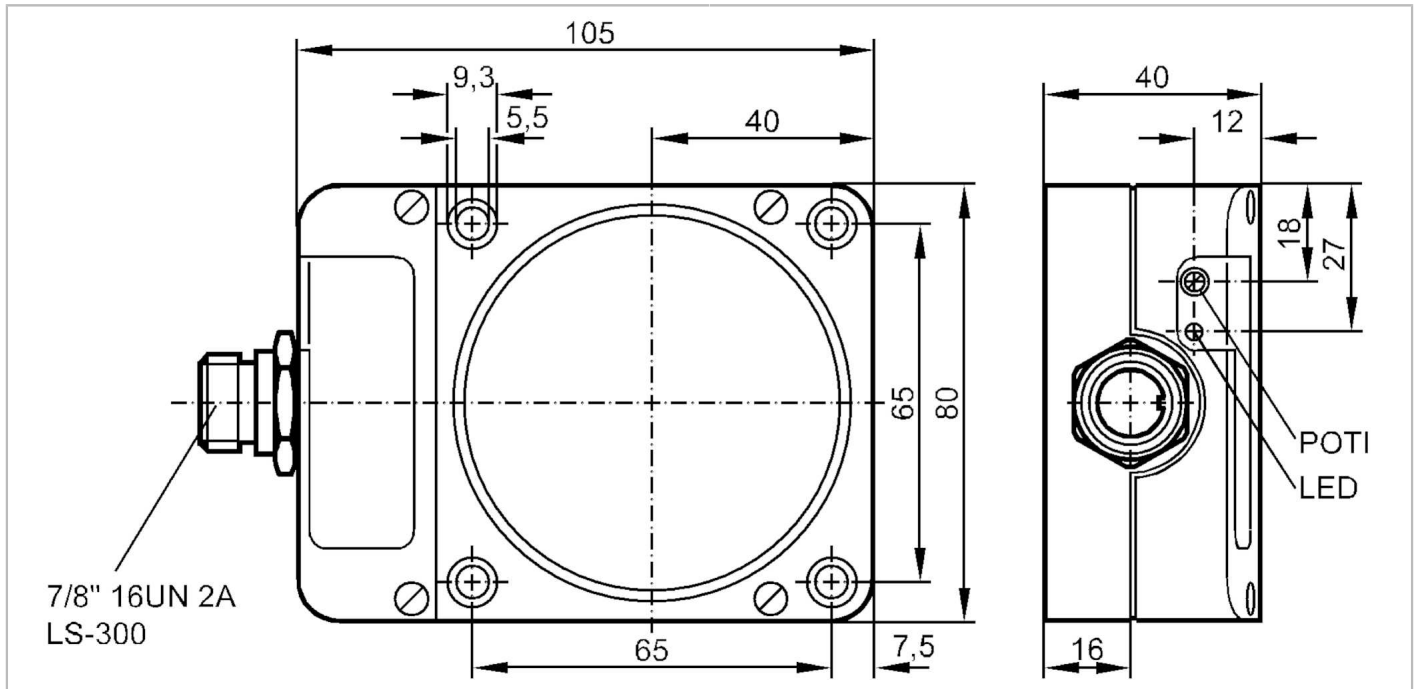


KD3500



Capacitive sensor

KDE2060-FBOA/NI/LS300L



Product characteristics

Output function		normally open / closed; (selectable)
Sensing range	[mm]	60
Housing		rectangular

Electrical data

Operating voltage	[V]	20...250 AC/DC
Protection class		II
Reverse polarity protection		no

Outputs

Output function		normally open / closed; (selectable)
Max. voltage drop switching output DC	[V]	8.5
Max. voltage drop switching output AC	[V]	8.5
Minimum load current	[mA]	5
Max. leakage current	[mA]	2.5 (250 V AC) / 1.3 (110 V AC) / 0.8 (24 V DC)
Permanent current rating of switching output AC	[mA]	200; (250 (...50 °C))
Permanent current rating of switching output DC	[mA]	100
Short-time current rating of switching output	[mA]	2200; (20 ms / 0,5 Hz)
Switching frequency AC	[Hz]	10
Switching frequency DC	[Hz]	10
Short-circuit proof		no
Overload protection		no

Monitoring range

Sensing range	[mm]	60
---------------	------	----

KD3500



Capacitive sensor

KDE2060-FBOA/NI/LS300L

Sensing range adjustable	yes
Factory setting sensing range [mm]	60
Real sensing range Sr [mm]	60 ± 10 %
Operating distance [mm]	0...48.6

Accuracy / deviations

Correction factor	glass: 0.4 / water: 1 / ceramics: 0.2 / PVC: 0.2
Hysteresis [% of Sr]	1...15
Switch-point drift [% of Sr]	-15...15

Operating conditions

Ambient temperature [°C]	-25...80
Protection	IP 65
Increased immunity	yes; (Increased immunity to conducted radio frequency interference)

Tests / approvals

EMC	EN 60947-5-2
-----	--------------

Mechanical data

Weight [g]	335.658
Housing	rectangular
Mounting	non-flush mountable
Material	PPE

Displays / operating elements

Display	Switching status	1 x LED, red
---------	------------------	--------------

Accessories

Items supplied	screwdriver: 1
----------------	----------------

Remarks

Pack quantity	1 pcs.
---------------	--------

KD3500



Capacitive sensor

KDE2060-FBOA/NI/LS300L

Electrical connection - plug

Connector: 1 x 7/8"; coding: A

