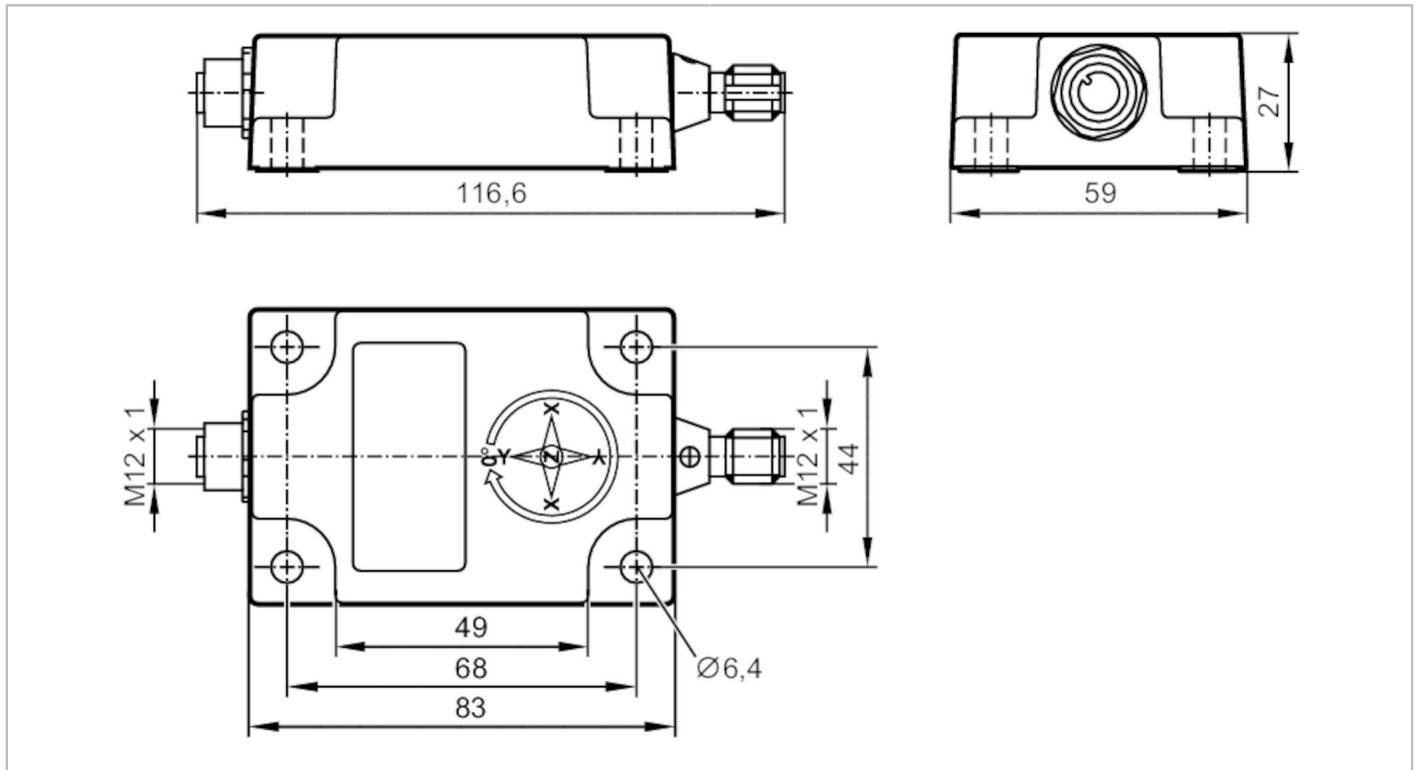


JD2120



Inclination sensor

INC-M2M180C-2-KG/US-H



Product characteristics	
Measuring principle	MEMS capacitive; (Accelerometer ; gyroscope)
Number of measurement axes	2; (X/Y)
Communication interface	CAN
Inclination measurement	
Angular range	± 90
Application	
Function principle	dynamic
Application	High-precision inclination measurement in dynamic applications
Electrical data	
Operating voltage	9...30 DC
Current consumption	< 65; (9 ... 30 V DC)
Min. insulation resistance	100; (500 V DC)
Protection class	III
Reverse polarity protection	yes
Reverse polarity protection	yes
Measuring/setting range	
Measuring principle	MEMS capacitive; (Accelerometer ; gyroscope)
Number of measurement axes	2; (X/Y)
Inclination measurement	
Angular range	± 90

JD2120



Inclination sensor

INC-M2M180C-2-KG/US-H

Measuring range acceleration [g]	± 4
Measuring range vehicle yaw rate [°/s]	± 500

Accuracy / deviations

Hysteresis [°]	≤ ± 0,05
Repeatability [°]	± 0,05
Resolution [°]	0.01; (configurable)
Temperature coefficient [1/K]	≤ ± 0,008°

Dynamic measurement

Accuracy [°]	± 0,5
--------------	-------

Static measurement

Accuracy [°]	± 0,3
--------------	-------

Interfaces

Communication interface	CAN
Number of CAN interfaces	1
Terminating resistor	yes; (internal ; configurable)

CAN

Protocol	CANopen
Factory settings	Baud rate: 125 kBit/s node ID: 10
Version	CiA DS301 V4.2.0; DSP-410 V2.0.0; CiA 306 V1.3.0

Operating conditions

Ambient temperature [°C]	-40...85
Storage temperature [°C]	-40...85
Protection	IP 67; IP 68; IP 69K

Tests / approvals

EMC	DIN EN 61000-6-2	
	DIN EN 61000-6-4	
Shock resistance	DIN EN 60068-2-27	
Vibration resistance	DIN EN 60068-2-6	
MTTF [years]	260	

Mechanical data

Weight [g]	210
Dimensions [mm]	27 x 59 x 118.5
Material	housing: diecast aluminium black; potting compound: polyurethane resin
Mounting orientation	Horizontal

Displays / operating elements

Display	preoperational mode	1 x LED, green
	operational mode	1 x LED, green flashing
	fault	1 x LED, red

Accessories

Items supplied	Protective cover: 2
----------------	---------------------

Remarks

Pack quantity	1 pcs.
---------------	--------

JD2120

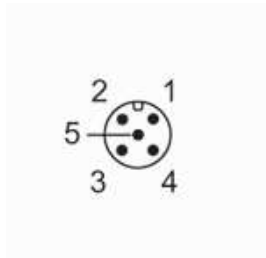


Inclination sensor

INC-M2M180C-2-KG/US-H

Electrical connection - CAN-In

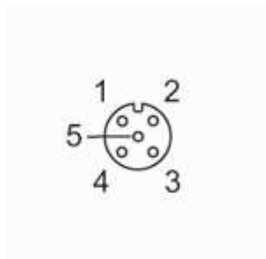
Connector: 1 x M12; coding: A



1	CAN screen
2	+ UB
3	CAN_GND
4	CAN_H
5	CAN_L

Electrical connection - CAN-Out

Connector: 1 x M12; coding: A



1	CAN screen
2	+ UB
3	CAN_GND
4	CAN_H
5	CAN_L

JD2120

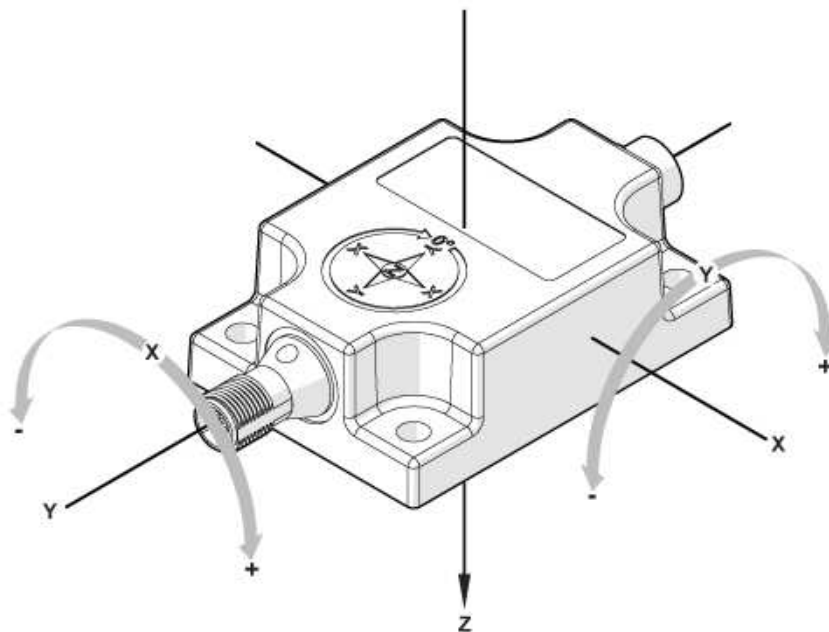


Inclination sensor

INC-M2M180C-2-KG/US-H

Diagrams and graphs

Mess- und Montagerichtung



horizontale Einbaulage / Rotation um X- und Y-Achse