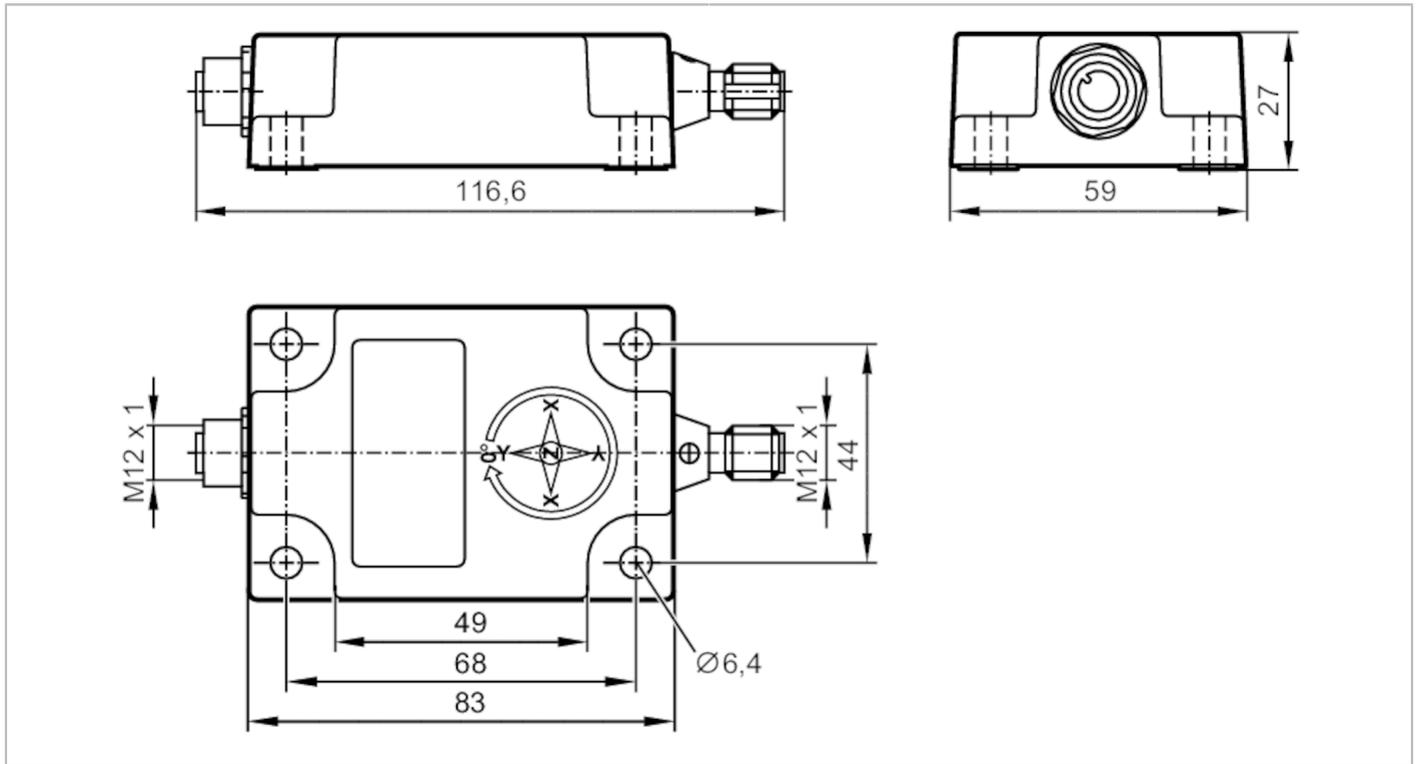


# JD1121



## Inclination sensor

INC-M1M360C-2-KG/US-V



Product characteristics	
Measuring principle	MEMS capacitive; (Accelerometer ; gyroscope)
Number of measurement axes	1; (Z)
Communication interface	CAN
Inclination measurement	
Angular range	[°] 0...360
Application	
Function principle	dynamic
Application	High-precision inclination measurement in dynamic applications
Electrical data	
Operating voltage	[V] 9...30 DC
Current consumption	[mA] < 65; (9 ... 30 V DC)
Min. insulation resistance	[MΩ] 100; (500 V DC)
Protection class	III
Reverse polarity protection	yes
Reverse polarity protection	yes
Measuring/setting range	
Measuring principle	MEMS capacitive; (Accelerometer ; gyroscope)
Number of measurement axes	1; (Z)
Inclination measurement	
Angular range	[°] 0...360

# JD1121



## Inclination sensor

INC-M1M360C-2-KG/US-V

Measuring range acceleration [g]		± 4
Measuring range vehicle yaw rate [°/s]		± 500
<b>Accuracy / deviations</b>		
Hysteresis [°]		≤ ± 0,05
Repeatability [°]		± 0,05
Resolution [°]		0.01; (configurable)
Temperature coefficient [1/K]		≤ ± 0,008°
<b>Dynamic measurement</b>		
Accuracy [°]		± 0,5
<b>Static measurement</b>		
Accuracy [°]		± 0,3
<b>Interfaces</b>		
Communication interface		CAN
Number of CAN interfaces		1
Terminating resistor		yes; (internal ; configurable)
<b>CAN</b>		
Protocol		CANopen
Factory settings		Baud rate: 125 kBit/s node ID: 10
Version		CiA DS301 V4.2.0; DSP-410 V2.0.0; CiA 306 V1.3.0
<b>Operating conditions</b>		
Ambient temperature [°C]		-40...85
Storage temperature [°C]		-40...85
Protection		IP 67; IP 68; IP 69K
<b>Tests / approvals</b>		
EMC	DIN EN 61000-6-2	
	DIN EN 61000-6-4	
Shock resistance	DIN EN 60068-2-27	
Vibration resistance	DIN EN 60068-2-6	
MTTF [years]		260
<b>Mechanical data</b>		
Weight [g]		211
Dimensions [mm]		27 x 59 x 118.5
Material		housing: diecast aluminium black; potting compound: polyurethane resin
Mounting orientation		vertical
<b>Displays / operating elements</b>		
Display	preoperational mode	1 x LED, green
	operational mode	1 x LED, green flashing
	fault	1 x LED, red
<b>Accessories</b>		
Items supplied		Protective cover: 2
<b>Remarks</b>		
Pack quantity		1 pcs.

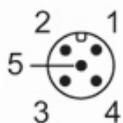


## Inclination sensor

INC-M1M360C-2-KG/US-V

### Electrical connection - CAN-In

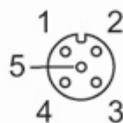
Connector: 1 x M12; coding: A



1	CAN screen
2	+ UB
3	CAN_GND
4	CAN_H
5	CAN_L

### Electrical connection - CAN-Out

Connector: 1 x M12; coding: A



1	CAN screen
2	+ UB
3	CAN_GND
4	CAN_H
5	CAN_L

# JD1121

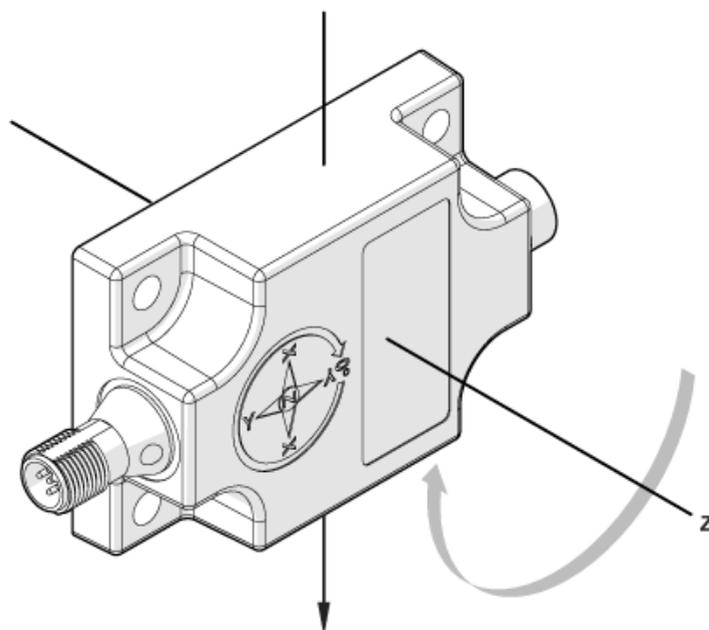


## Inclination sensor

INC-M1M360C-2-KG/US-V

### Diagrams and graphs

Mess- und Montagerichtung



vertikale Einbaulage / Rotation um Z-Achse