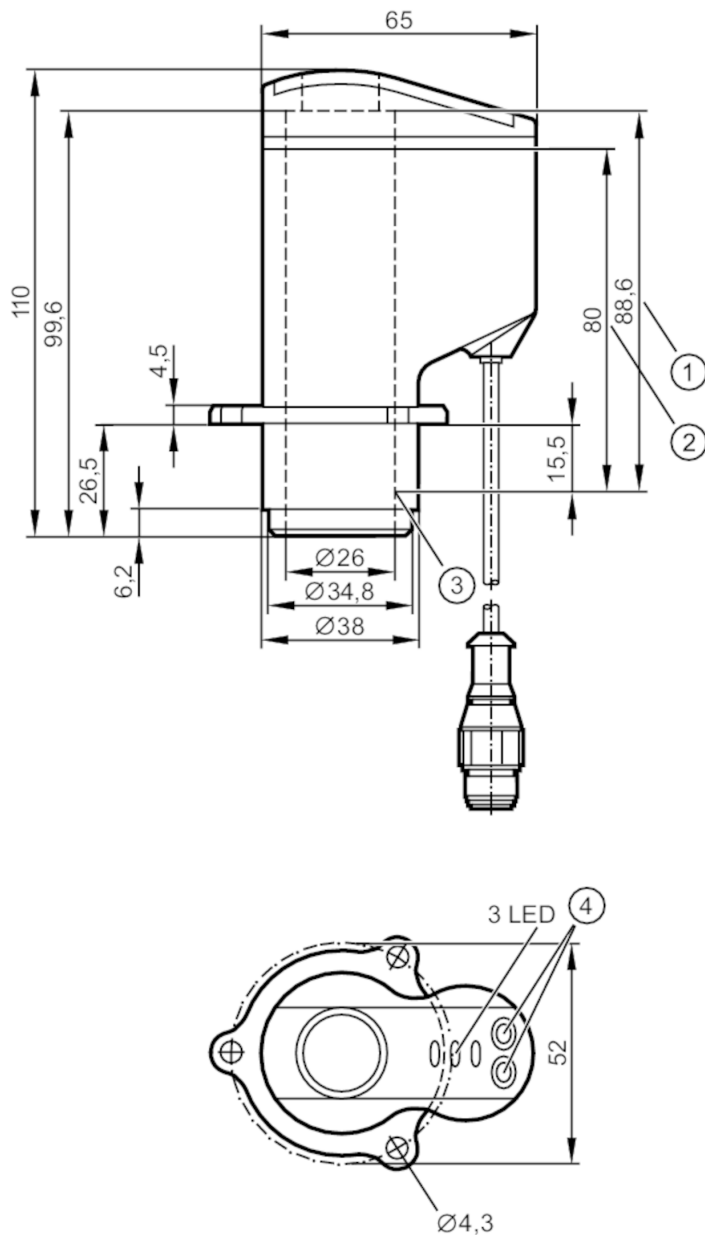


IX5030



Position sensor for rising stem valves

IX-2080-AS-i/0,15M/US



- 1 Max. spindle stroke
- 2 Measuring distance
- 3 initial value of the measuring range Zero point
- 4 Programming buttons



Product characteristics

Electrical design	AS-i
Dimensions [mm]	65 x 52 x 110

Application

Application	Position feedback for linear single and double seat valves; Absolute distance measurement; Monitoring of the valve seal
-------------	--

Electrical data

Operating voltage [V]	26.5...31.6 DC
-----------------------	----------------

IX5030



Position sensor for rising stem valves

IX-2080-AS-i/0,15M/US

Current consumption	[mA]	< 50															
Protection class		III															
Reverse polarity protection		yes															
Max. power-on delay time	[ms]	2000															
Outputs																	
Electrical design		AS-i															
Monitoring range																	
Measuring range	[mm]	0...80															
Max. target speed	[m/s]	1															
Resolution of valve stroke	[mm]	0.2															
Target		cylindrical disc															
-		Ø 24 mm ±0,05 mm															
-		minimum height 10 mm															
-		flat surface															
-		stainless steel to DIN17440, material number 316S12.															
Software / programming																	
Parameter setting options		3 switchpoints to be freely defined within the measuring range															
Operating conditions																	
Ambient temperature	[°C]	-25...70															
Protection		IP 65; IP 67; (only in conjunction with an installation in the valve head that provides sufficient protection against mechanical damage of the sensor)															
Tests / approvals																	
MTTF	[years]	281															
AS-i classification																	
AS-i version		3.0															
Extended addressing mode		yes															
AS-i I/O configuration	[hex]	0															
AS-i ID code	[hex]	A.F															
Data bits		<table border="1"><thead><tr><th>Description</th><th>close</th><th>seat</th><th>open</th><th>not used</th></tr></thead><tbody><tr><td>status = 0</td><td>plunger outside the 'close' zone</td><td>plunger outside the 'seat' zone</td><td>plunger outside the 'open' zone</td><td>default value</td></tr><tr><td>status = 1</td><td>plunger inside the 'close' zone</td><td>plunger inside the 'seat' zone</td><td>plunger inside the 'open' zone</td><td>-</td></tr></tbody></table>	Description	close	seat	open	not used	status = 0	plunger outside the 'close' zone	plunger outside the 'seat' zone	plunger outside the 'open' zone	default value	status = 1	plunger inside the 'close' zone	plunger inside the 'seat' zone	plunger inside the 'open' zone	-
Description	close	seat	open	not used													
status = 0	plunger outside the 'close' zone	plunger outside the 'seat' zone	plunger outside the 'open' zone	default value													
status = 1	plunger inside the 'close' zone	plunger inside the 'seat' zone	plunger inside the 'open' zone	-													
Mechanical data																	
Weight	[g]	219.5															
Type of mounting		3-hole flange															
Dimensions	[mm]	65 x 52 x 110															
Material		PA; TPE; PP; LCP															
Displays / operating elements																	
Display	Switching status	1 x LED, green open															
	Switching status	1 x LED, yellow seat															
	Switching status	1 x LED, red close															
	Power	1 x LED, green AS-i voltage															
	error	1 x LED, red															

IX5030



Position sensor for rising stem valves

IX-2080-AS-i/0,15M/US

Accessories

Items supplied screws: 3

Remarks

Pack quantity 1 pcs.

Electrical connection - plug

Cable: 0.15 m, PVC; 2 x 0.14 mm²

Connector: 1 x M12; coding: A



Connection

