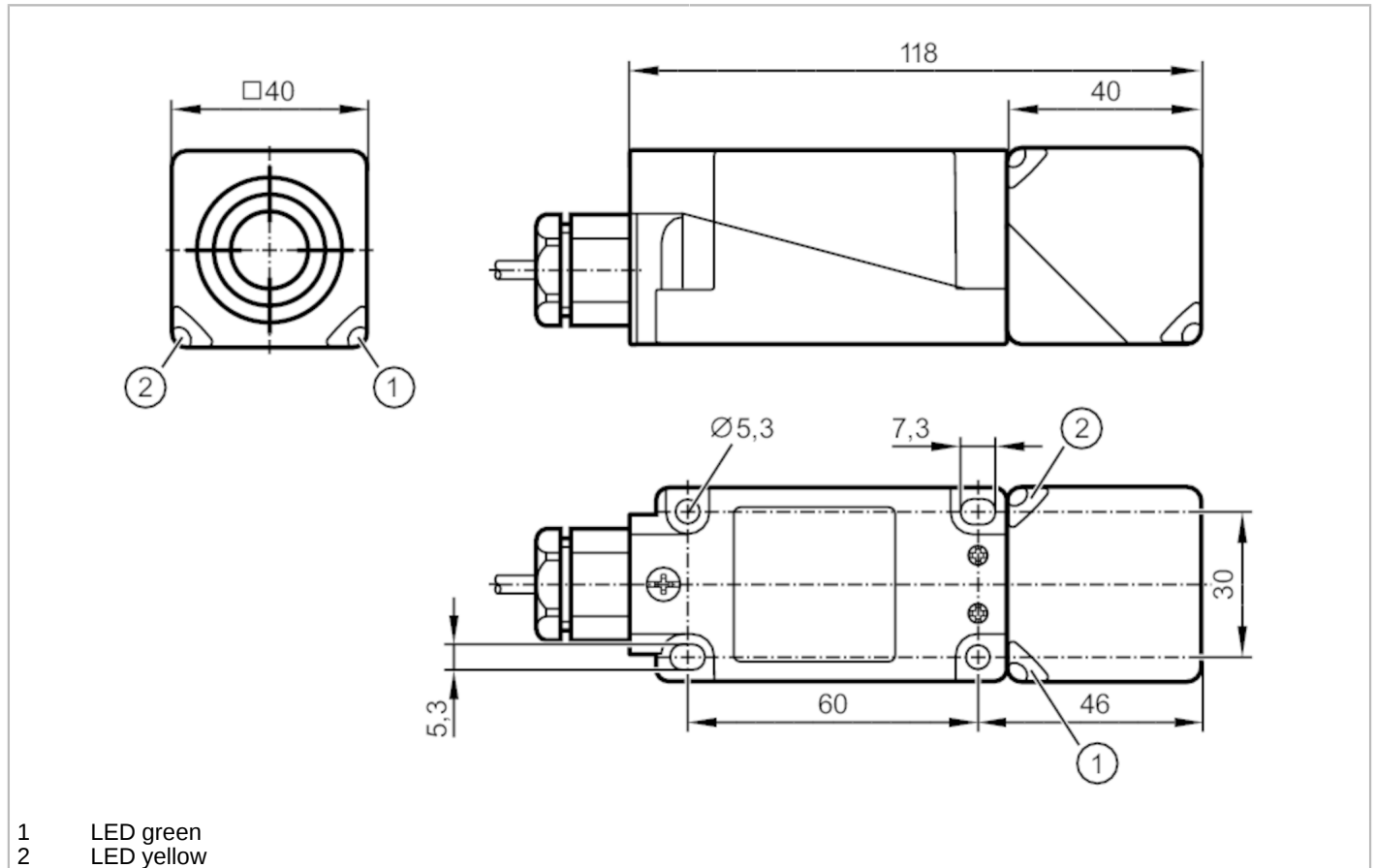


# IV5059



## Inductive sensor

IVE4020ZCPKG/20M



Product characteristics	
Electrical design	PNP
Output function	complementary
Sensing range [mm]	20
Housing	rectangular
Dimensions [mm]	40 x 40 x 118
Electrical data	
Operating voltage [V]	10...30 DC
Current consumption [mA]	20; (24 V)
Protection class	II
Reverse polarity protection	yes
Outputs	
Electrical design	PNP
Output function	complementary
Max. voltage drop switching output DC [V]	2
Permanent current rating of switching output DC [mA]	200
Switching frequency DC [Hz]	300
Short-circuit protection	yes

# IV5059



## Inductive sensor

IVE4020ZCPKG/20M

Type of short-circuit protection	yes (non-latching)
Overload protection	yes

Monitoring range	
Sensing range [mm]	20
Real sensing range Sr [mm]	20 ± 10 %
Operating distance [mm]	0...16.2

Accuracy / deviations	
Correction factor	steel: 1 / stainless steel: 0.7 / brass: 0.4 / aluminum: 0.3 / copper: 0.3
Hysteresis [% of Sr]	1...10
Switch-point drift [% of Sr]	-10...10

Operating conditions	
Ambient temperature [°C]	-25...100
Protection	IP 68; IP 69K

Tests / approvals		
EMC	EN 61000-4-2 ESD	8 kV CD / 8 kV AD
	EN 61000-4-3 HF radiated	10 V/m
	EN 61000-4-4 Burst	2 kV
	EN 61000-4-6 HF conducted	15 V
	EN 55011	class B
Vibration resistance	EN 60068-2-6 Fc	10 g (10...2000 Hz) / 10 cycles
Shock resistance	EN 60068-2-27 Ea	30 g 11 ms half-sine; 3 shocks each in every direction of the 3 coordinate axes
Continuous shock resistance	EN 60068-2-27	40 g 6 ms; 4000 shocks each in every direction of the 3 coordinate axes
Fast temperature changes	EN 60068-2-14 Na	TA = -40 °C; TB = 85 °C; t1 = 30 min; t2 = < 10 s; 50 cycles
MTTF [years]		652.2
UL approval	Ta	0...40 °C
	Enclosure type	Type 1
	File number UL	E174191

Mechanical data	
Weight [g]	1438
Housing	rectangular
Mounting	flush mountable
Dimensions [mm]	40 x 40 x 118
Material	PA 6.6; diecast zinc epoxy coated; sensing face: PA 6.6; LED window: PA; screws: stainless steel stainless steel (1.4305 / 303)

Displays / operating elements		
Display	Switching status	1 x LED, yellow
	Power	1 x LED, green

Remarks	
Remarks	5 positions of the active zone possible
Pack quantity	1 pcs.

# IV5059



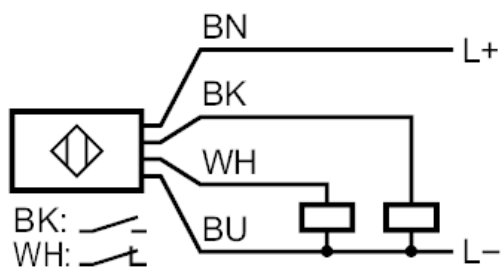
## Inductive sensor

IVE4020ZCPKG/20M

### Electrical connection

Cable: 20 m, PVC; 4 x 0.50 mm<sup>2</sup>

### Connection



Core colors :

BK = black

BN = brown

BU = blue

WH = white