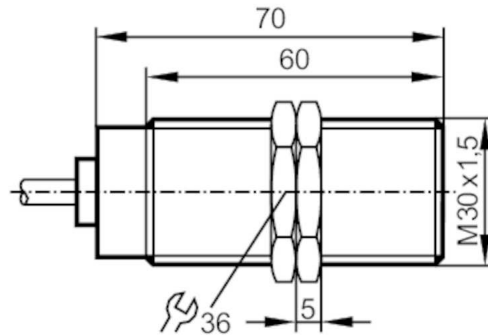


# II5961



## Inductive high-temperature sensor

IIA3010ZBPKG/5M/SH



### Product characteristics

Electrical design	PNP
Output function	normally open
Sensing range [mm]	10
Housing	Threaded type
Dimensions [mm]	M30 x 1.5 / L = 70

### Application

Application	high-temperature applications
-------------	-------------------------------

### Electrical data

Operating voltage [V]	10...35 DC
Current consumption [mA]	< 15
Protection class	III
Reverse polarity protection	yes

### Outputs

Electrical design	PNP
Output function	normally open
Max. voltage drop switching output DC [V]	2
Permanent current rating of switching output DC [mA]	150
Switching frequency DC [Hz]	200
Short-circuit protection	yes
Type of short-circuit protection	yes (non-latching)
Overload protection	yes

### Monitoring range

Sensing range [mm]	10
Operating distance [mm]	0...8.1

### Accuracy / deviations

Correction factor	steel: 1 / stainless steel: 0.6 / brass: 0.3 / aluminum: 0.2 / copper: 0.1
-------------------	--

# II5961



## Inductive high-temperature sensor

IIA3010ZBPKG/5M/SH

Hysteresis	[% of Sr]	3...15
Switch-point drift	[% of Sr]	-10...10

### Operating conditions

Ambient temperature	[°C]	0...180
Protection		IP 65

### Tests / approvals

EMC	EN 61000-4-2 ESD	2 kV CD / 4 kV AD
	EN 61000-4-3 HF radiated	3 V/m
	EN 61000-4-4 Burst	2 kV
	EN 61000-4-6 HF conducted	3 V
MTTF	[years]	692

### Mechanical data

Weight	[g]	355.5
Housing		Threaded type
Mounting		flush mountable
Dimensions	[mm]	M30 x 1.5 / L = 70
Thread designation		M30 x 1.5
Material		housing: stainless steel; sensing face: LCP

### Accessories

Items supplied		lock nuts: 2
----------------	--	--------------

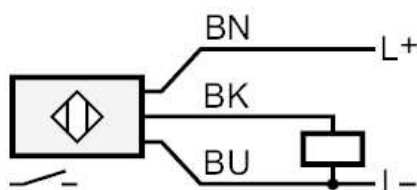
### Remarks

Pack quantity		1 pcs.
---------------	--	--------

### Electrical connection

Cable: 5 m, silicone; highly flexible; 3 x 0.22 mm<sup>2</sup>

### Connection



Core colors :  
BK = black  
BN = brown  
BU = blue